

EZ Series Wall Adaptor Attachment Installation Guide

<http://www.pro-face.com/>

Thank you for purchasing our wall adaptor attachment (PFXZCEATWM1). To use this product correctly, read this installation guide carefully before use.

Package contents

- Wall adaptor attachment x 1
- M4 x 8 mm screw x 3
- Binding band x 1
- Installation Guide x 1 (this document)

This product has been carefully packed, with special attention to quality. However, should you find anything damaged or missing, please contact your local distributor immediately.

Specifications

General specifications

Outside dimensions	W82 x H125 x D56 mm (W3.23 x H4.92 x D2.20 in)
Weight	200 g (0.44 lb) or less
Color	Silver
Protective structure	None

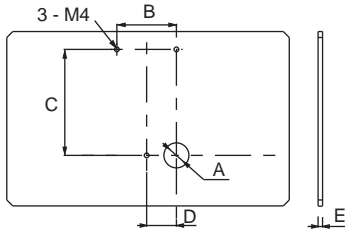
IMPORTANT

This attachment does not conform to UL standards.

If this attachment is used together with the EZ Series, the UL conformity assured in the EZ Series will not apply.

Installation

1. Drill a mount hole in the panel.



A	B	C	D	E
∅22.5 (+0,-0.3) mm (∅0.88 (+0,-0.01) in)	50 ± 0.2 mm (1.97 ± 0.007 in)	100 ± 0.2 mm (3.94 ± 0.007 in)	25 ± 0.2 mm (0.98 ± 0.007 in)	1.5 ~ 6.0 mm (0.06 ~ 0.23 in)

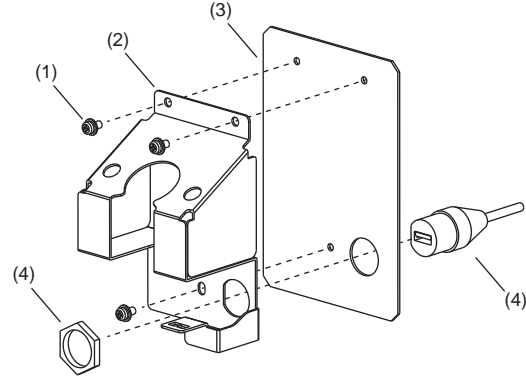
If the panel thickness (E) is less than 2 mm (0.07 in), make an extruded hole for M4.
If the panel thickness is 2 mm (0.07 in) or more, make an extruded hole for M4 or an M4 tap hole.
The extruding side of the extruded hole should face the inside of the panel.

The information in this document is subject to change without notice.
Copyright © 2013.12 Digital Electronics Corporation. All Rights Reserved.
EAV42060 00

Pro-face
for the best interface

1/4

2. Secure the attachment to the panel. Tighten the M4 screws with a torque between 0.5 and 0.7 N·m (4.43 and 6.20 lb-in).



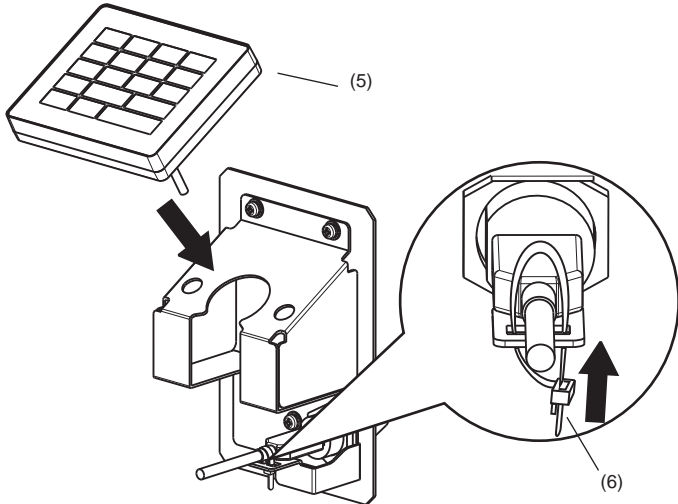
- (1) M4 x 8 mm screw
- (2) Wall adaptor attachment
- (3) Panel
- (4) USB extension cable (optional)

Recommended product: Pro-face's USB Front Cable (CA5-USBEXT-01)

Printed in Japan

2/4

3. Attach the USB cable provided with the EZ Series to the USB extension cable. And fix to the wall adaptor attachment with the binding band.



- (5) EZ Series (optional)
- (6) Binding band

IMPORTANT

- The EZ Series for use with this attachment should be used with all parts attached (installation nut, anti-rotation tee, USB cable clamp, USB cable). See the EZ Series Installation Guide for information regarding the accessory attachment method.
- The wall adaptor attachment mounted on the panel and the binding band both extrude from the panel surface. Be careful not to bump into them.

CAUTION

RISK OF OPERATOR INJURY

- Do not forcefully bump the USB cable binding plate.
- Ensure enough room for operators so they do not come into contact with the binding plate.
- Be sure the position of USB binding plate and use cushioning materials during the design phase, when the operator may come in contact with the USB cable binding plate.

Failure to follow these instructions can result in injury or equipment damage.

3/4

Notice

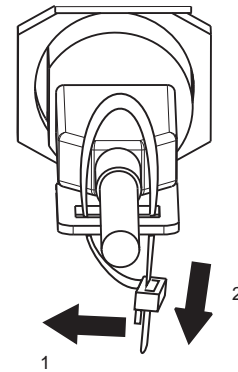
EQUIPMENT DAMAGE

Do not operate the EZ Series when the EZ Series is placed on the wall adaptor attachment.

Failure to follow these instructions can result in equipment damage.

Removal

1. Lift the hook of the binding band and pull the binding band to remove it.



Disclaimer

Please be aware that Digital Electronics Corporation shall not be held liable by the user for any damages, losses, or third party claims arising from the uses of this product.

4/4