

# Device/PLC Connection Manuals

---



## About the Device/PLC Connection Manuals

Prior to reading these manuals and setting up your device, be sure to read the "Important: Prior to reading the Device/PLC Connection manual" information. Also, be sure to download the "Preface for Trademark Rights, List of Units Supported, How to Read Manuals and Documentation Conventions" PDF file. Furthermore, be sure to keep all manual-related data in a safe, easy-to-find location.

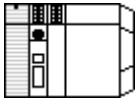

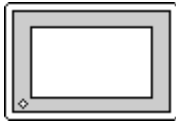
## 2.21 Modicon

### 2.21.1 System Structure

The following describes the system structure for connecting the GP to Modicon PLCs.

**Reference** The Cable Diagrams mentioned in the following tables are listed in the section titled "2.21.2 Cable Diagrams".

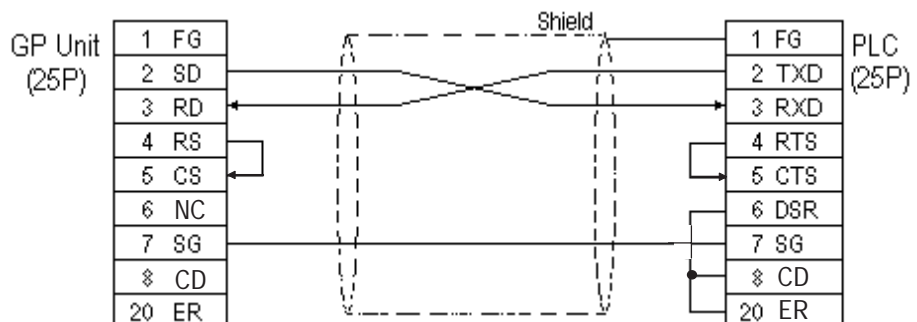
#### ■ Modicon Modbus (CPU Direct Connection)

CPU	Cable Diagram	GP
		
884, 984A, 984B	RS-232C (Cable Diagram 1)	GP Series
Slot Mount 984	RS-232C (Cable Diagram 2)	

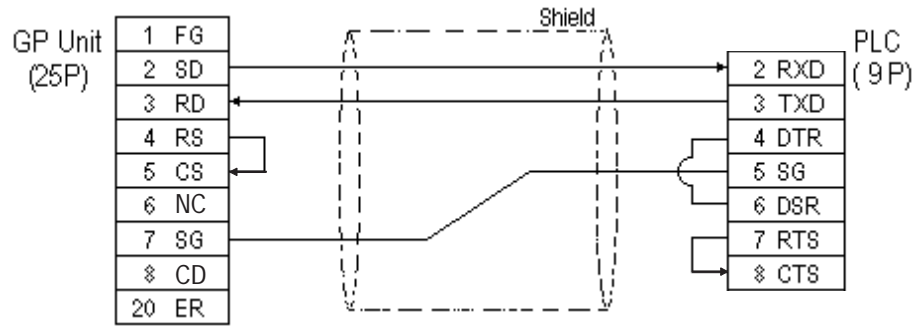
### 2.21.2 Cable Diagrams

The cable diagrams illustrated below and the cable diagrams recommended by Modicon may differ, however, using these cables for your PLC operations will not cause any problems.

#### Cable Diagram 1 (RS-232C)



**Cable Diagram 2 (RS-232C)**



**2.21.3 Supported Devices**

The following describes the range of devices supported by the GP.

**Modicon Modbus (GP Master)**

  Setup System Area here.

Device	Bit Address	Word Address	Particulars	
Output Bit	00001 ~ 08192	---	<span style="border: 1px solid black; padding: 2px;">÷16+</span>	L/H
Input Bit	10001 ~ 18192	---	<span style="border: 1px solid black; padding: 2px;">÷16+</span> *1	
Output Register	---	40001 ~ 49999		
Input Register	---	30001 ~ 39999	*1	

\* 1 Cannot perform data writing.

**2.21.4 Environment Setup**

The following tables list Digital's recommended PLC and GP communication settings.

**Modicon Modbus**

GP Setup		PLC Setup	
Baud Rate	19200 bps	Baud Rate	19200 bps
Data Length	8 bit	Mode	RTU (8)
Stop Bit	1 bit	Stop/Data	1 bit
Parity Bit	Even	Parity Bit	Even
Data Flow Control	ER Control	---	---
Communication Format (RS-232C)	RS-232C	---	---
Communication Format (RS-422)	---	---	---
Unit No.	1 (fixed)	Station Address	1