

PL-DK210

Installation Guide

The PL-DK210 (CD-ROM Unit) is designed for use with Pro-face's PL Series Panel Computers, hereafter referred to as the "PL". This unit is the CD-ROM unit for the PL. While the PL-DK210 provides a convenient way to install software into the PL's HDD unit, it is not designed to be used outside of the development environment.

Corresponding Products: PL-X920 Series Units.

Pro-face is the trademark of Digital Electronics Corporation, registered in Japan and other countries. MS-DOS is the trademark of Microsoft Corporation in the United States and/or other countries. All other trademarks/registered trademarks are the properties of their respective owners.



Warning - Safety Precautions

- Be sure to check that the PL unit's power cord is disconnected before installing this unit. Failure to do so may cause an electric shock.
- Do not attempt to modify or open the PL-DK210 unit. This may cause a fire or an electric shock.
- Be sure to read the "2. Installation" section completely to insure that the PL-DK210 unit is correctly installed.

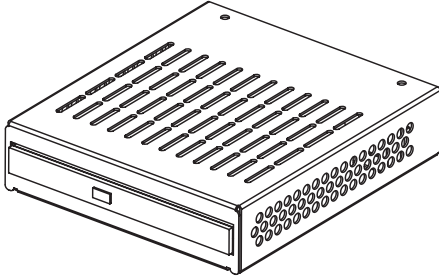
To Prevent Accidents

- Since the PL-DK210 is a precision instrument, be sure it is neither hit by nor pressed strongly against another object.
- Be sure water, liquids or metal particles are not allowed to enter this unit's connector. Any of these may cause either a breakdown or an electric shock.
- Do not store or operate this unit in a location where there is direct sunlight, excessive heat, dust or vibration.
- Do not store or operate this unit near chemicals, or where there are chemical fumes.
- Do not use the PL-DK210 in locations where corrosive gases are present.
- To prevent damage to file data, be sure to shut down the unit's OS before turning OFF the main power.

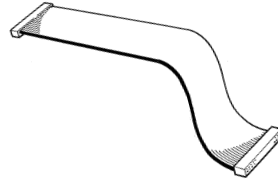
Package Contents

Please check that the following items are included in your PL-DK210's package.

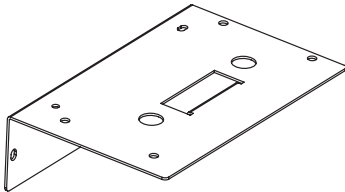
■ **PL-DK210 Unit** (1)



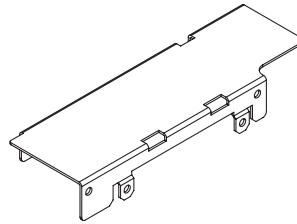
■ **Connection Cable** (1)



■ **Front Face Fastener** (1)



■ **Rear Face Fastener** (1)



■ **Attachment Screws** (8)

■ **Installation Guide** (1)

■ **Floppy Disk** ^{*1} (1)

Pro-face has taken utmost care to insure the quality of this product when it was shipped. However, for any reason, should you find any faults or damage, please contact your Pro-face representative immediately for service.

^{*1} For instructions and usage of the programs included in the floppy disk (such as device driver programs, etc.), refer to the README file.

1 Hardware Specification

■ Functional

Random Access Seek	140ms (Ave.)
Data Transfer Speed	16.7MB/s (Max.)
Disk Speed	4,280 rpm (typ)
Interface	IDE (ATAPI) ^{*1}
Power Consumption	During Startup: 0.9A (typ)
	During Random Access: 0.8A (typ)
	During Wait: 0.5A (typ)

^{*1} *The PL-DK210's connection cable is a special-purpose cable. Any other type of cable cannot be used to connect this unit to the PL unit.*

■ Environmental

Ambient Temperature	5 °C to 50°C
Storage Temperature	-10°C to +60°C
Ambient Humidity	10%RH to 80%RH (no condensation)
Vibration Resistance	(during operation) 2.9m/s ² (10Hz to 25Hz)
Shock Resistance	(not operating) 588m/s ²

2 Installation

Be sure to use the following installation procedures to insure that the PL-DK210 unit is correctly installed. Installation procedures will differ depending on the type of PL unit you are using.



WARNINGS

Shock Danger! Be sure to unplug the PL unit from its power supply prior to installing the PL-DK210 unit.

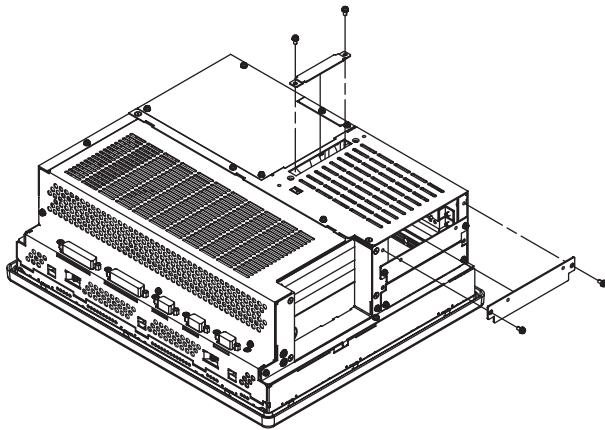


When using the CD-ROM drive unit with the PL-X920 Series unit, be sure to change the "IDE Primary Master PIO" and "IDE Primary Slave PIO" settings within the "System Information area | INTEGRATED PERIPHERALS" to "Mode 2". Also, be sure to set the "IDE Primary Master UDMA" and "IDE Primary Slave UDMA" settings to "Disabled".

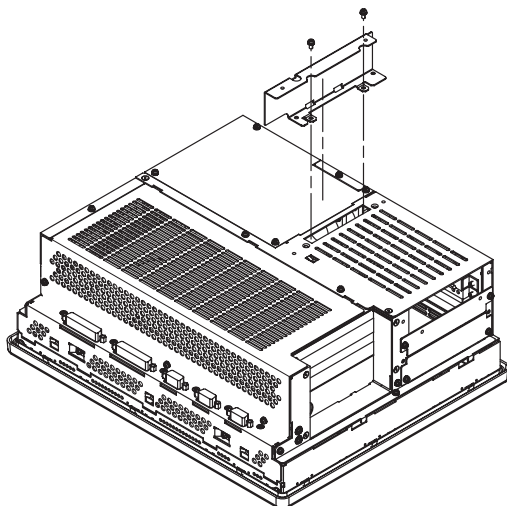
Reference *PL Series User Manual, Chapter 5 System Setup.*

■ Connecting to a PL-X920 Series Unit

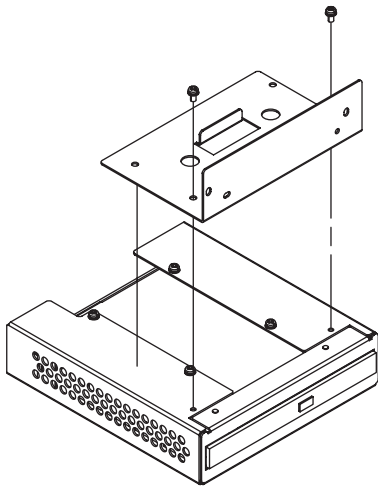
A) Connecting to a PL-X920 (2-Slot) Series Unit



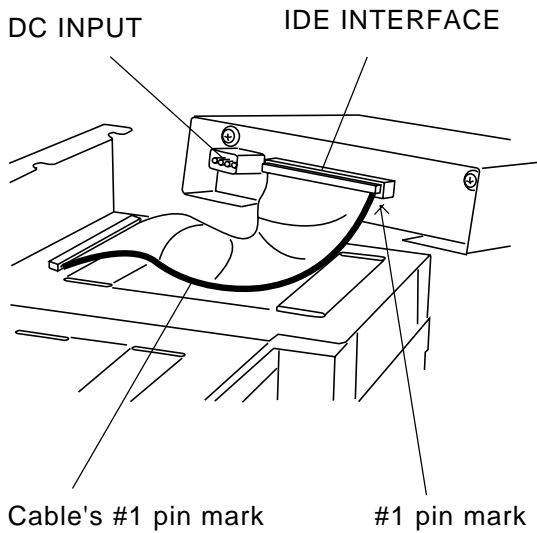
- 1) Unscrew the IDE I/F cover's two (2) attachment screws and the HDD1 slot's two (2) attachment screws. Remove the IDE I/F cover and the HDD1 slot cover.



- 2) Secure the rear face fastener to the rear of the PL unit using the two (2) attachment screws.



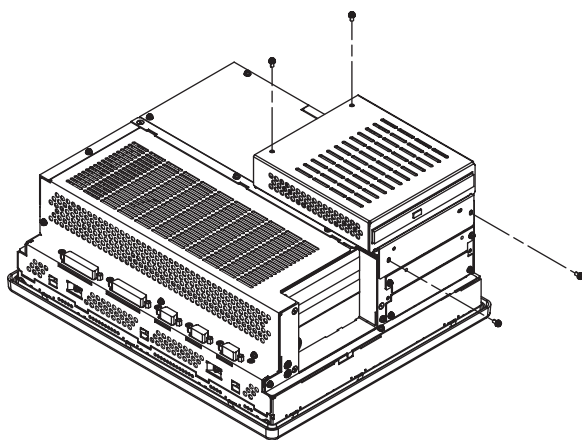
- 3) Secure the front face fastener to the PL-DK210 unit using the two (2) attachment screws.



- 4) Connect the PL-DK210 unit to the PL unit via the connection cable. Be sure to confirm that the Cable's #1 pin mark and the connector are correctly aligned.

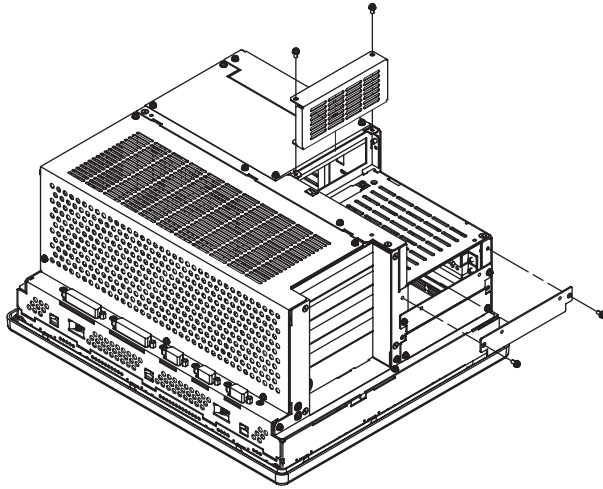


Do not connect anything to the DC INPUT Connector.

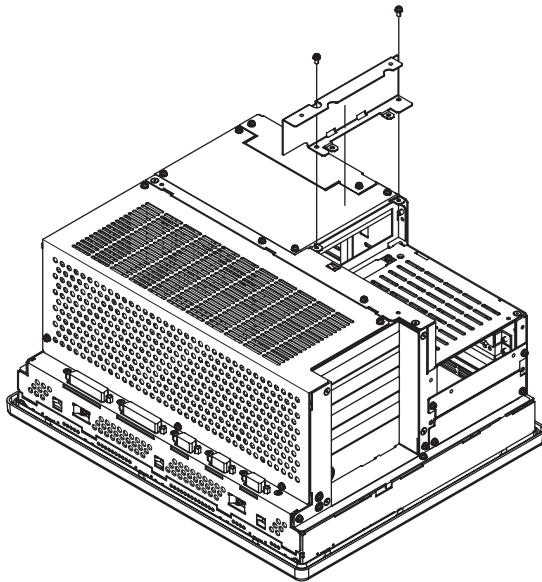


- 5) Secure the PL-DK210 unit to the PL unit using the four (4) attachment screws. Place the cable in the aperture between the PL-DK210 and PL units.

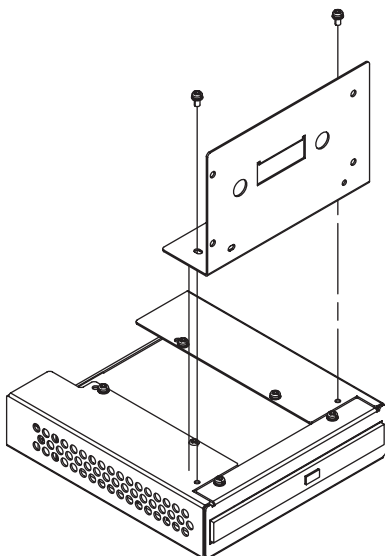
B) Connecting to a PL-X920 (4-Slot) Series Unit



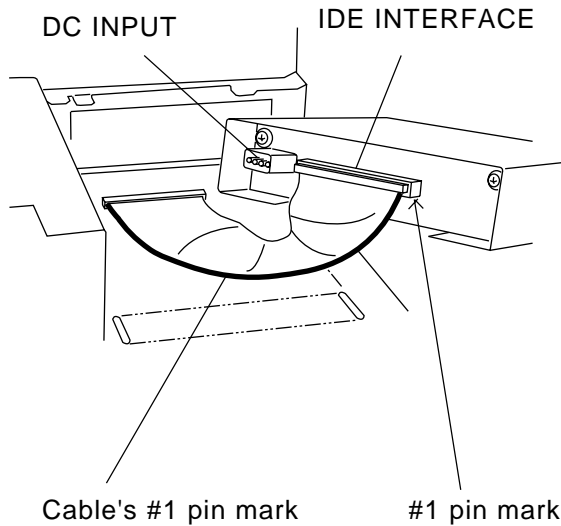
- 1) Unscrew the IDE I/F cover's two (2) attachment screws and the HDD1 slot's two (2) attachment screws. Remove the IDE I/F cover and the HDD1 slot cover.



- 2) Secure the rear face fastener to the rear of the PL unit using the two (2) attachment screws.



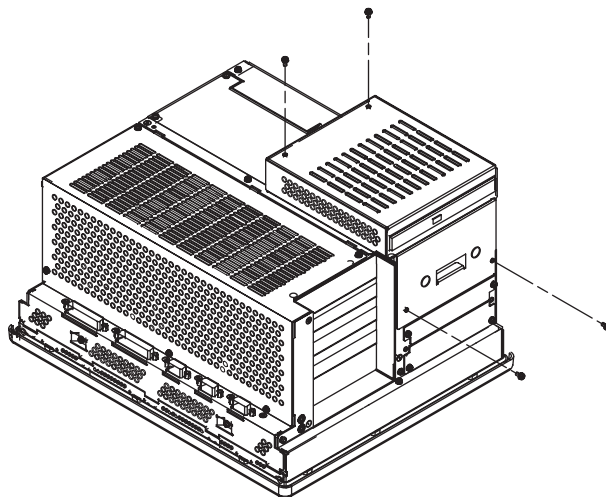
- 3) Secure the front face fastener to the PL-DK210 unit using the two (2) attachment screws.



- 4) Connect the PL-DK210 unit to the PL unit via the connection cable. Be sure to confirm that the Cable's #1 pin mark and the connector are correctly aligned.



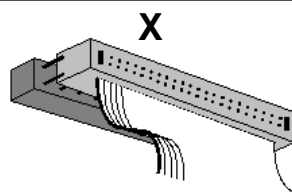
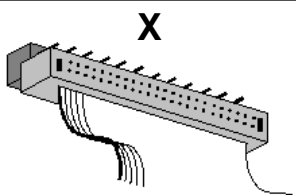
Do not connect anything to the DC INPUT Connector.



- 5) Secure the PL-DK210 unit to the PL unit using the four (4) attachment screws. Place the cable in the aperture between the PL-DK210 and PL units.

Caution

Refer to the following drawings to confirm that the connection cable is securely attached to both connectors. Be sure to check both connectors before turning the PL ON, since incorrect attachment of the connectors can cause equipment damage.



Note

Please be aware that Digital Electronics Corporation shall not be held liable by the user for any damages, losses, or third party claims arising from the uses of this product.

Digital Electronics Corporation

8-2-52 Nanko Higashi, Suminoe-ku, Osaka 559-0031, Japan

URL: <http://www.pro-face.com/>