

PL-DK200

Installation Guide

The PL-DK200 (CD-ROM Unit) is designed for use with Pro-face's PL Series Panel Computer, hereafter referred to as the "PL". This unit is the CD-ROM unit for the PL.

While the PL-DK200 provides a convenient way to install software into the PL's HDD unit, it is not designed to be used outside of the development environment.

Corresponding Products: PL-5700/PL-5900/PL-5910/PL-6700/PL-X900/
PL-X920 Series Units.

All product names used in this document are the trademarks of their respective manufacturers.

Pro-face: Digital Electronics Corporation (in Japan and other countries)



Warning - Safety Precautions

- Be sure to check that the PL unit's power cord is disconnected before installing this unit in order to prevent electrical shock.
- Do not attempt to modify or open the PL-DK200, due to the danger of shock or fire.
- When installing the PL-DK200, be sure to read the "2. Installation" section completely to insure that this unit is correctly installed.

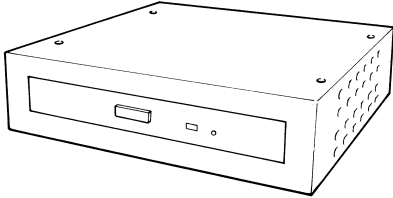
To Prevent Accidents

- Since the PL-DK200 is a precision instrument, be sure it is neither hit by nor pressed strongly against another object.
- Be sure water, liquids or metal particles are not allowed to enter this unit's connector. Any of these may cause either a breakdown or an electrical shock.
- Do not install or store this unit in a location where there is direct sunlight, excessive heat, dust or vibration.
- Do not store or operate this unit near chemicals, or where there are chemical fumes.
- Do not use the PL-DK200 in locations where corrosive gasses are present.
- To prevent damage to file data, be sure to shut down the unit's OS before turning OFF the main power.

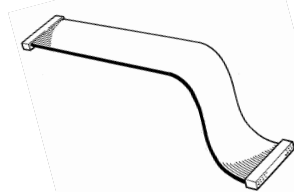
Package Contents

Please check that the following items are included in your PL-DK200's package.

- **PL-DK200 Unit** (1)



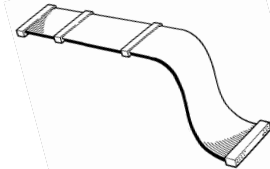
- **Connection Cable for PL-5900/PL-5910/PL-X900/PL-X920 Series Units** (1)



- **DC OUT Power Cable for PL-5700/PL-6700 Series Units**



- **Connection Cable for PL-5700/PL-6700 Series Units** (1)



- **Floppy Disk** *1 (1)

- **Installation Guide** (1)

Pro-face has taken the utmost care to insure the quality of this product when it was shipped, however, should, for any reason, problems or damage have occurred during shipping, please contact your Pro-face representative immediately for service.

1 Hardware Specification

- **Functional**

Random Access Seek	140msec (Ave.)
Data Transfer Speed	16.7 Mbytes/sec (Max)
Disk Speed	4,280 rpm (typ)
Interface	IDE (ATAPI) *2
Power Consumption	During Startup: 0.9A (typ)
	During Random Access: 0.8A (typ)
	During Wait: 0.5A (typ)

*1 For instructions and usage of the programs stored in the floppy disk (such as device drivers, etc.), refer to the README file.

*2 The PL-DK200's connection cable is a special-purpose cable. Any other type of cable cannot be used to connect this unit to the PL.

■ Environmental

Ambient Temperature	5 °C to 35°C
Storage Temperature	-10 °C to +60°C
Ambient Humidity	10% RH to 80% RH (no condensation)
Vibration Resistance	(during operation) 0.3G (10Hz to 25Hz)
Shock Resistance	(not operating) 60G

2 Installation

Be sure to use the following installation procedures to insure that the unit is correctly installed.

Installation procedures will differ depending on the type of PL unit you are using.

Refer to the following procedures that correspond to your PL.



WARNINGS

WARNING: Shock Danger! Be sure to disconnect the PL unit's power cord prior to installing the PL-DK200.

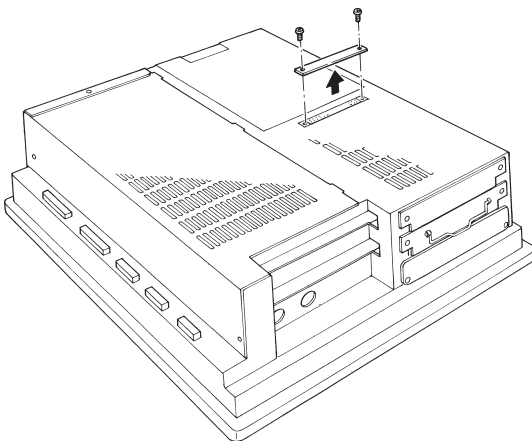


Note:

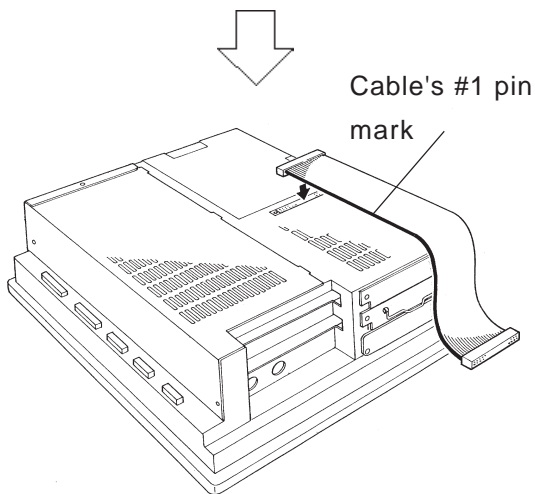
With the PL-6700 and PL-X900 series units, when using the CD-ROM unit, be sure to change the System Information area "Integrated Peripherals" [IDE Primary Master PIO] and [IDE Primary Slave PIO] settings to [Mode 2]. Also, when using a PL-X900 Series unit, be sure to set the [IDE Primary Master UDMA] or [IDA Primary Slave UDMA] settings to [Disabled]. **Reference** *PL Series User Manual, Chapter 5 System Setup.*

■ Connecting to a PL-5900/PL-5910/PL-X900/PL-X920 Series Unit

A) Connecting to a PL-5900/PL-5910/PL-X900(2-Slot)/PL-X920(2-Slot) Series Unit

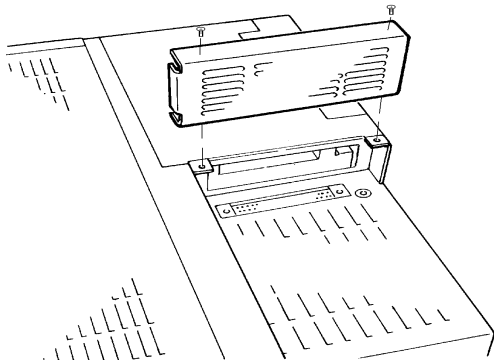


- 1) Unscrew the IDE I/F cover's two(2) attachment screws and remove the cover.

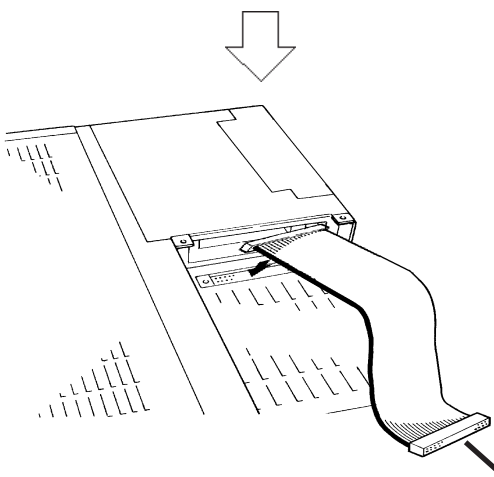


- 2) Connect the PL-DK200 to the PL unit via the connection cable PL-5900/PL-5910/PL-X900/PL-X920 series units.

B) Connecting to a PL-X900(4-Slot)/PL-X920(4-Slot) Series Unit



- 1) Unscrew the IDE I/F cover's two(2) attachment screws and remove the cover.

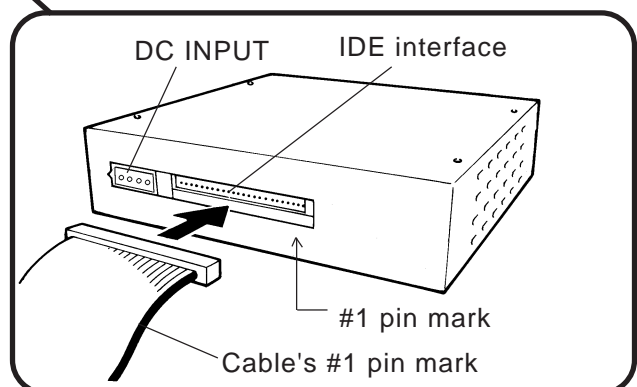


- 2) Connect the PL-DK200 to the PL unit via the connection cable PL-X900/PL-X920 series unit's.

Connect to CD-ROM drive.



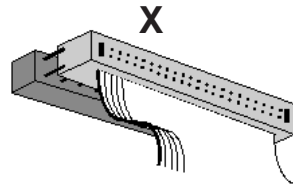
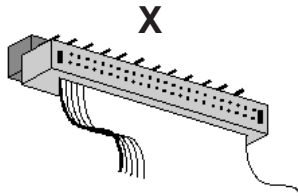
Note: When using a PL-5900/PL-5910/PL-X900/PL-X920 series unit, no DC OUT power cable is required.





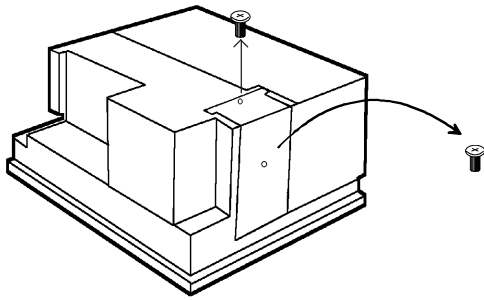
Caution

Refer to the following drawings to confirm that the connection cable is securely attached to both connectors. Be sure to check both connectors before turning the PL ON, since incorrect attachment of the connectors can cause equipment damage.

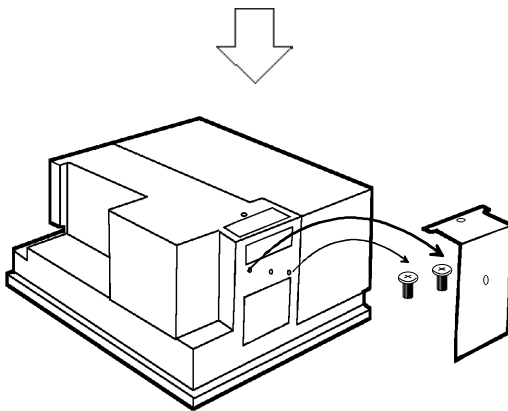


■ Connecting to a PL-6700 Series Unit

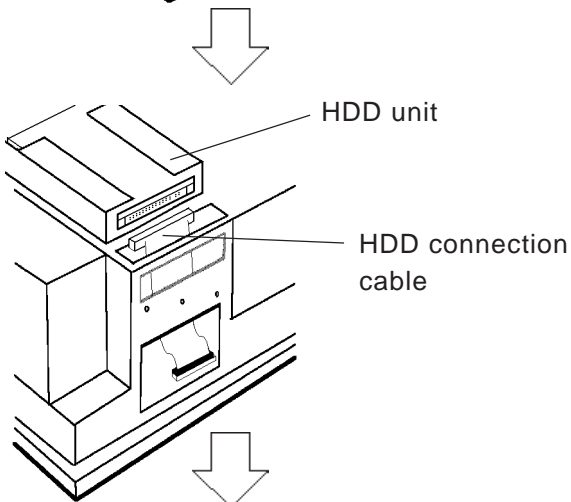
These procedures assume that the PL unit's HDD unit is already installed.



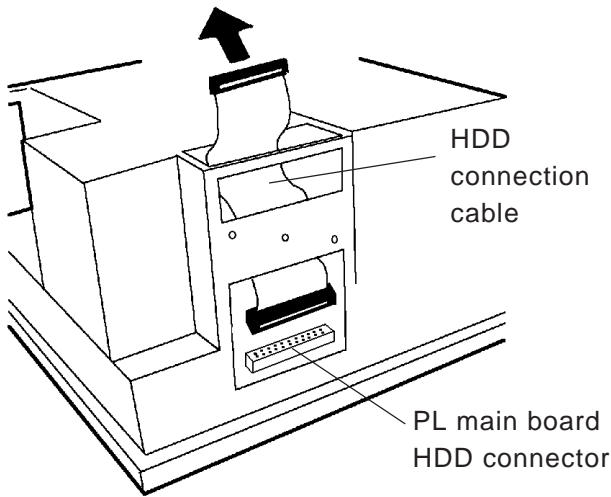
- 1) Remove the HDD unit protective cover's two(2) attachment screws.



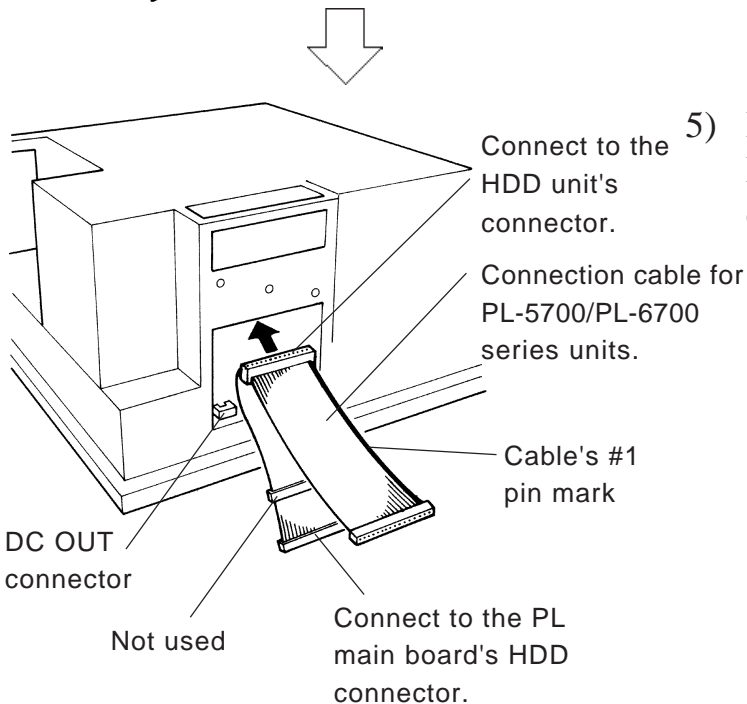
- 2) Remove the HDD cover and unscrew the HDD unit's two(2) set screws.



- 3) Disconnect the HDD unit from the HDD connection cable.



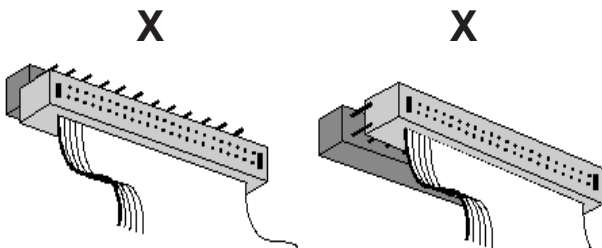
- 4) Detach the HDD unit's connection cable from the PL's main board.



- 5) Insert the connection cable for your PL unit into the PL-HDD unit's connector.

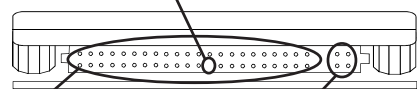
⚠ Caution

If the hard disk unit's connector is attached incorrectly, there is a possibility of damage to the unit. Please follow the instructions given here carefully.



<Figure - HDD Unit Connector>

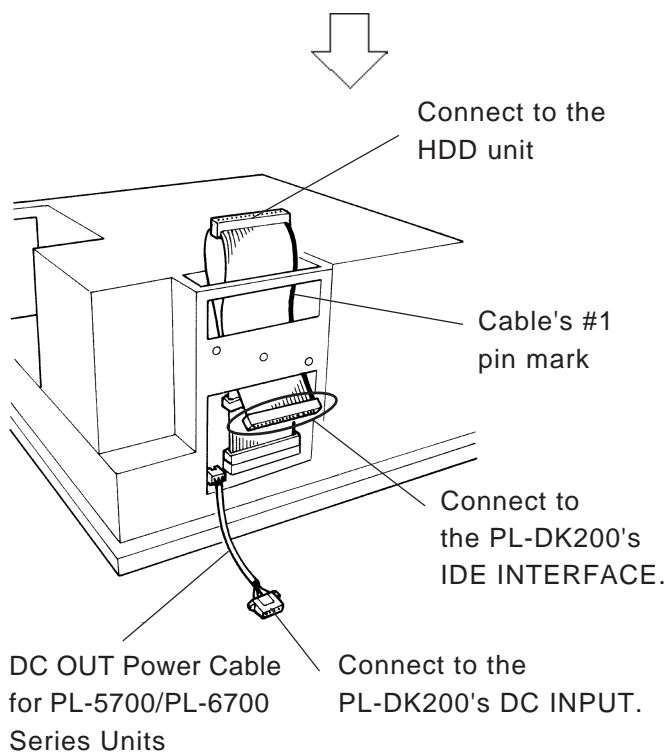
Cable Inversion Prevention Pin (Removed)



Connect cable here

Do not use these four pins

Also, be sure the hard disk unit cable's main board connector is not skewed from its correct attachment position (see above examples). Incorrect attachment can cause damage to the PL unit.



- 6) Connect the PL-DK200's DC OUT power cable for PL-5700/6700 Series Units (accessory) to the PL's DC OUT connector.

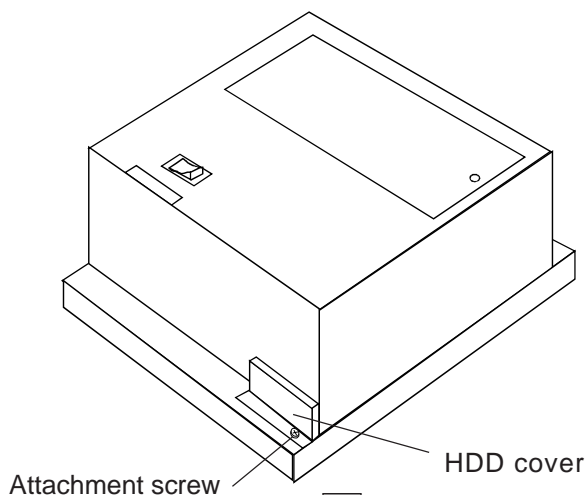


Note: *Be sure to connect the PL-5700 /PL- 6700 Series Unit connector cable's #1 pin mark side with the IDE interface's #1 pin.*

- 7) Last, connect the HDD unit to the connection cable and insert it into the PL main unit.

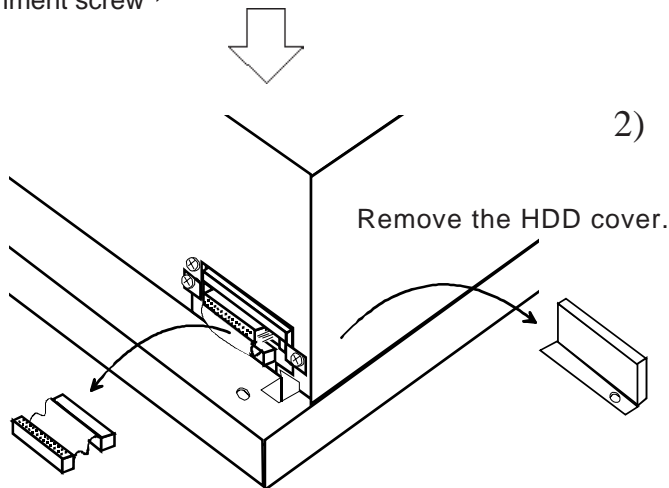
■ Connecting to a PL-5700 Series Unit

These procedures assume that the PL unit's HDD unit is already installed.

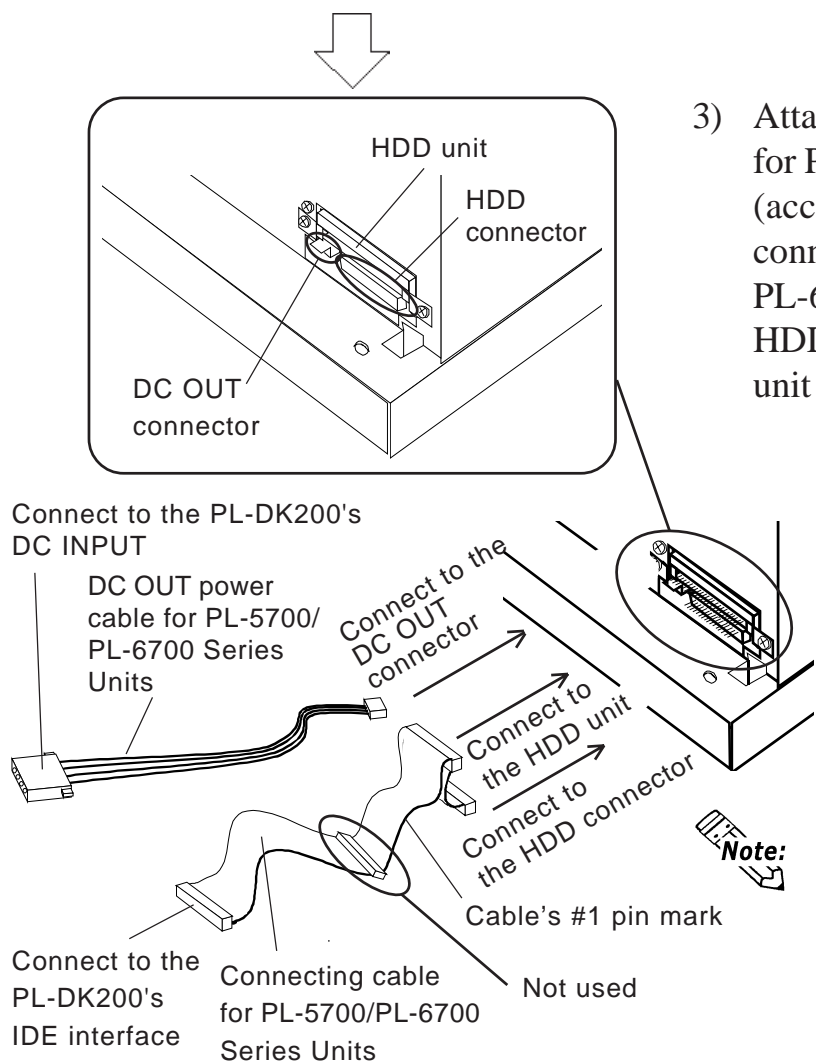


- 1) Unscrew the HDD cover attachment screw (1), and remove the HDD cover.

The figure shows the PL-5700T (3-slot type).



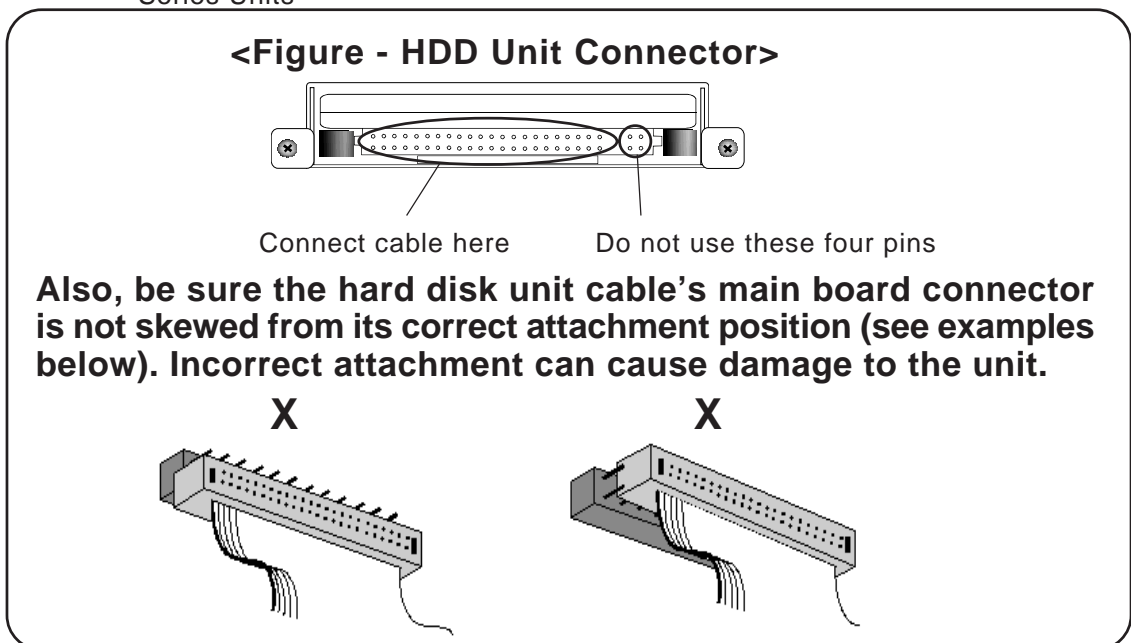
- 2) Remove the HDD unit connection cable.



3) Attach the DC OUT power cable for PL-5700/PL-6700 Series Units (accessory) to the PL's DC OUT connector. Connect the PL-5700/PL-6700 series unit's cable to the HDD connector and to the HDD unit connector.

Attach the connection cable to the HDD unit connector, according to the pin positions shown in the figure on the left. (The right-side's four pins remain unused when inserting the connector.)

Turning ON the PL unit's power when the units are connected incorrectly can damage both units.



Please be aware that Digital Electronics Corporation shall not be held liable by the user for any damages, losses, or third party claims arising from the uses of this product.