

PL7900-T42/PL7901-T42

Installation Guide



WARNINGS

- To prevent an electric shock, be sure to connect the power cord to the PL before connecting it to the main power supply.
- A fire or electrical shock may occur if voltages used with the PL are beyond the specified range. Be sure to use only the specified voltage.
- Before opening the PL's protective cover, be sure to turn the unit's power OFF. This is because the PL's internal parts carry high voltages.
- To avoid fires or electrical hazards, do not modify the PL in any way.
- Do not create touch panel switches that are used to either control or to ensure the safety of equipment and personnel. Mechanical switches, such as an emergency stop switch, a deadman (two-handed) start switch, etc., must be installed and operated via a separate control system.
- Do not create touch panel switches which could possibly endanger the safety of humans or equipment. This is due to the possibility of a malfunction in the GP or its cable(s) causing the output of a signal that could result in a major accident. All of a system's major, safety-related switches should be designed to be operated separately from the GP.
- After the PL's backlight burns out, unlike the PL's "Standby Mode", the touch panel is still active. If the operator fails to notice that the backlight is burned out and touches the panel, a potentially dangerous machine miss-operation can occur.
If your PL's backlight suddenly turns OFF, use the following steps to determine if the backlight is actually burned out.
 - 1) If your PL is not set to "Standby Mode" and the screen has gone blank, your backlight is burned out.
 - 2) Or, if your PL is set to Standby Mode, but touching the screen does not cause the display to reappear, your backlight is burned out.
- If metal particles, water or other types of liquids contact any of the PL's internal parts, immediately turn the unit's power OFF, unplug the power cord, and contact either your PL distributor or the Digital Electronics Corporation.
- Before either plugging in or unplugging a board or interface connector, be sure to turn the PL's power OFF.
- To prevent a possible explosion, do not install the PL in areas containing flammable gases.
- The PL is not appropriate for use with aircraft control devices, aerospace equipment, central trunk data transmission (communication) devices, nuclear power control devices, or medical life support equipment, due to these devices' inherent requirements of extremely high levels of safety and reliability.
- When using the PL with transportation vehicles (trains, cars and ships), disaster and crime prevention devices, various types of safety equipment, non-life support related medical devices, etc. redundant and/or fail-safe system designs should be used to ensure the proper degree of reliability and safety.

To Prevent Accidents

- Do not push on the PL's screen too strongly, with either your finger or with a hard object. Excessive pressure can scratch, crack or damage the screen. Do not use a pointed object, such as a mechanical pencil or screwdriver, to press any of the touch panel's switches, since they can damage the display.
- If the screen becomes dirty or smudged, moisten a soft cloth with diluted neutral detergent, wring the cloth well, and wipe the display. Do not use thinner or organic solvents.
- Avoid storing and operating the PL in direct sunlight, high temperatures and humidity, and in areas where excessive dust and vibration will occur.
- Avoid using the PL in areas where sudden, extreme changes in temperature can occur. This may cause condensation to form inside the unit, possibly leading to an accident.
- To prevent the PL from overheating, be sure its air circulation vents are clear and clean, and keep the unit's operation area well-ventilated.
- Avoid operating or storing the PL near chemicals, or where chemicals can come into contact with the unit.
- The Digital Electronics Corporation cannot be held responsible or provide any compensation for damage(s) caused by the loss of data stored in the PL™'s hard disk drive (HDD). It is therefore strongly suggested that all important data and software be backed up regularly to an external data backup device.
- After turning OFF the PL's power, wait until the internal HDD stops spinning before turning on the power again (approx. 5 seconds).

UL/c-UL (CSA) Application Notes

The PL790*-T4* is UL/c-UL 1950 recognized product. (UL File No. E171486). Please pay special attention to the following instructions when applying for UL/c-UL approval for machinery which includes any of these PL units.

The PL conforms as a component to the following standards:

UL 1950, Third Edition, dated March 1,1998 (Standard for Safety of Information Technology Equipment, including Electrical Business Equipment)

CSA-C22.2 No. 950-95 (Standard for Safety of Information Technology Equipment, including Electrical Business Equipment)

PL7900-T4* (UL Registration Model No.: 2780054-02)

PL7901-T4* (UL Registration Model No.: 2780054-01)

- Equipment with a PL mounted in it requires UL/c-UL evaluation for the combination of the PL and equipment.
- The PL must be used as a built-in component of an end-use product.
- Use the PL indoors only.
- When connecting the PL's power cable, be sure to use a cable that is appropriate for the current and voltage used and that has conductive wires that are 0.75 mm² or larger.
- When using the PL in an end-use product, be sure to install the PL unit's power cut-off switch where the operator can easily reach it.
- Danger of explosion if backup battery is incorrectly replaced. Replaced only with same or equivalent type recommended by the manufacturer. Dispose of used batteries according to the manufacturer's instructions.
- Be sure the unit the PL is built into uses a UL1950 compatible equipment structure.

CE Marking Notes

The PL790*-T4* units are CE marked, EMC compliant products.

<Complies with the following Standards>

• **Safety**

EN60950

• **EMI (EN50081-2)**

EN55011 group1 (Class A)

• **EMS (EN50082-2)**

EN61000-4-2, EN61000-4-3, EN61000-4-4, EN61000-4-6, EN61000-4-8, ENV50204

If following requirements are not met, the PL may fail to meet EN60950 standard requirements.

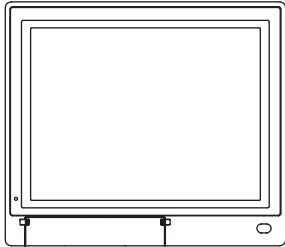
- Equipment with a PL mounted in it requires UL/c-UL evaluation for the combination of the PL and equipment.
- The PL must be used as a built-in component of an end-use product.
- Use the PL indoors only.
- When connecting the PL's power cable, be sure to use a cable that is appropriate for the current and voltage used and that has conductive wires that are 0.75 mm² or larger.
- When using the PL in an end-use product, be sure to install the PL unit's power cut-off switch where the operator can easily reach it.
- There is a danger of explosion if the backup battery is incorrectly replaced. This battery should be replaced only with same or equivalent type recommended by the manufacturer. Dispose of used batteries according to the manufacturer's instructions.
- Be sure the PL unit's enclosure is an EN60950 approved sheet steel structure.

Package Contents

The PL package should include the following items:

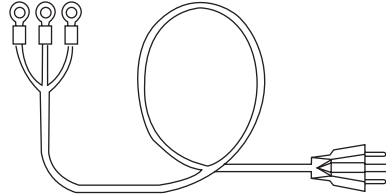
■ **PL Unit**

(PL-7900T/PL-7901T)



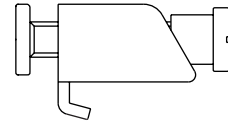
Be careful when installing the PL not to damage the built-in HDD.

■ **Power Cord**



This cord is designed only for AC100/115V use. Any other voltage will require a different cable.

■ **Installation Brackets (12)**



■ **Floppy Disks (3)**

(PL-X900 Series Driver & Utility Disk)

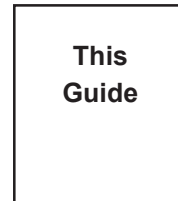


■ **CD-ROM (1)**

contains PDF manual file



■ **Installation Guide (2 - English and Japanese)**



About The Manual

The CD-ROM contains the following PDF manual file.

PL-7900/7901 Series User Manual

Reading a PDF file requires installation of the Adobe Corporation's Acrobat® Reader.

■ **Acrobat® Reader Installation:**

To install the Acrobat® Reader software, follow the steps given below.

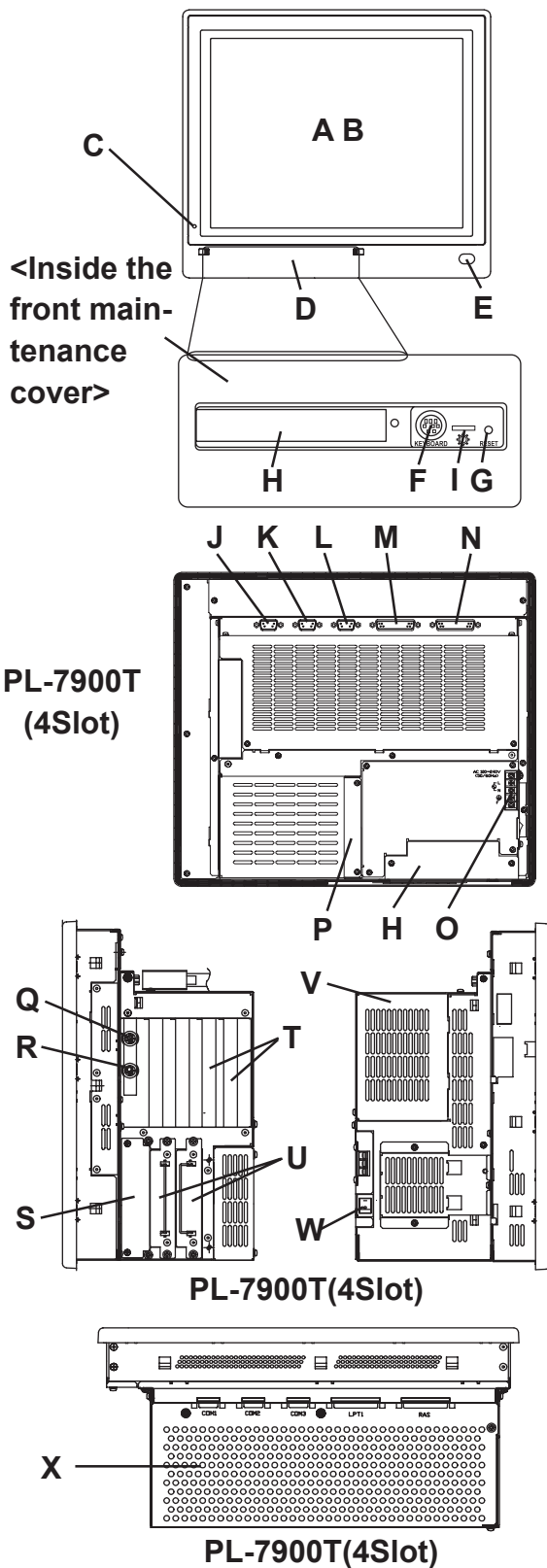
- 1) This software, in the form of a self-extracting file, is located in this CD-ROM in the folder titled [reader]. Use the Explorer software to find the file [reader\ENG\ar405eng.exe], and double-click on the file icon to begin the Reader installation.
- 2) After Installation begins, follow the instructions given on the Installation screens.

■ **Viewing the PDF manual:**

To view the PDF manual contained in this CD-ROM, follow the steps given below.

- 1) Use the Explorer software to locate the file [manual\ENG\pl7900e.pdf] in the folder titled [manual].
- 2) Double-click on the PDF file's icon. Acrobat® Reader will automatically start and the first page of the PDF manual will appear.

1 PL External Features



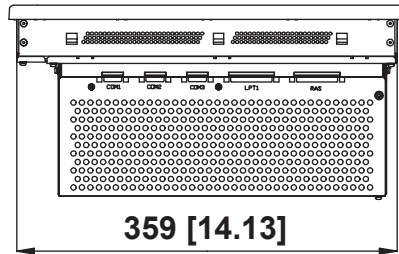
- A : Display Area
- B : Touch Panel
- C : Power Lamp LED
- D : Front Maintenance Cover
- E : IrDA
- F : Keyboard Connector
- G : Hardware Reset Switch
- H : FDD Slot (only for PL-7900T)
- I : Brightness Adjustment Slide
- J : RS-232C Connector (COM1)
- K : RS-232C Connector (COM2)
- L : RS-232C Connector (COM3)
- M : Printer Connector (LPT1)
- N : RAS Connector
- O : Power Terminals
- P : IDE I/F Cover
- Q : Keyboard Connector
- R : Mouse Connector
- S : FDD Slot
- T : Expansion Slots (2)
- U : HDD/FFD Expansion Unit Slot
- V : Half Cover
- W : Power Switch
- X : Rear Maintenance Cover

- Prior to attaching peripheral units to the PL, be sure the PL's power cord is disconnected from the main power supply.
- To prevent an electrical shock, be sure to disconnect the PL's power cord from the power supply before connecting the cord's power terminals or any peripheral devices to the PL.

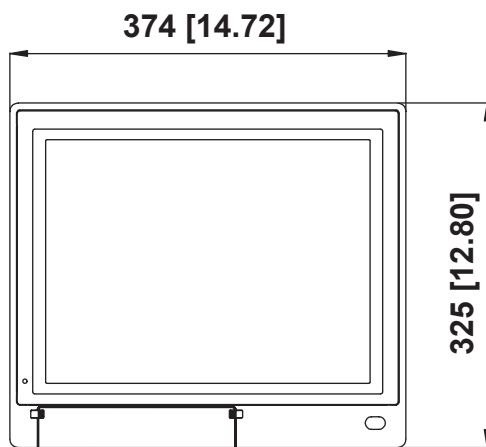
2 PL Dimensions

• PL-7900T General Dimensions

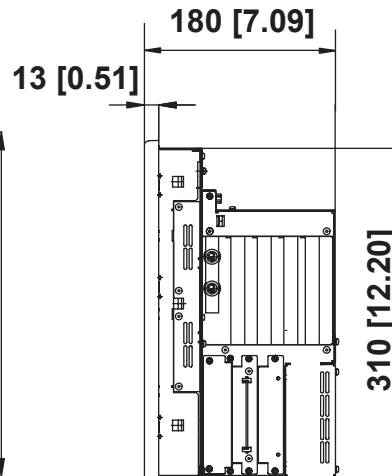
(Unit: mm [in.] - excluding projections)



Top View



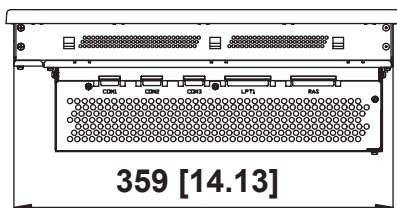
Front View



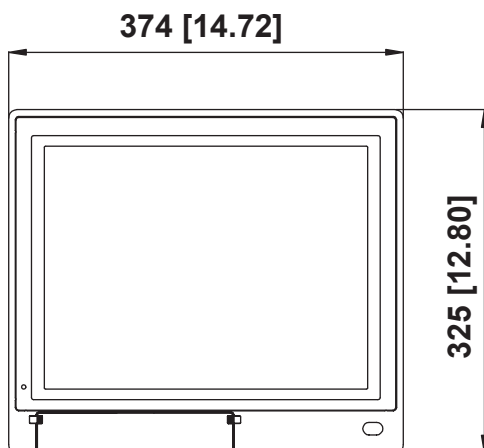
Side View

• PL-7901T General Dimensions

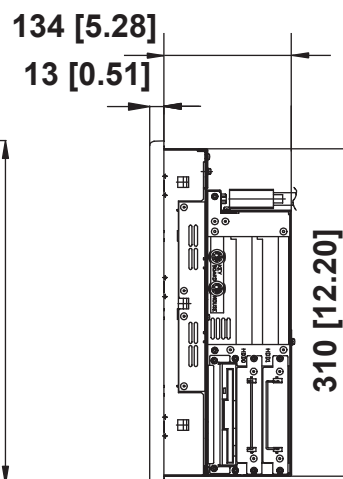
(Unit: mm [in.] - excluding projections)



Top View



Front View



Side View

3 General Specifications

■ Electrical

	PL-7900T	PL-7901T
Input Voltage	AC 100V to AC 240V	
Rated Voltage	AC 85V to AC 265V	
Frequency	50/60Hz	
Allowable Voltage Drop	shorter than 1 cycle (however, pause occurrences must be more than 1 second apart)	
Power Consumption	less than 150VA	less than 100VA
Voltage Endurance	AC 1500V at 20mA for 1 minute (between charging and FG terminals)	
Insulation Resistance	Greater than 10MΩ at DC 500V (between charging and FG terminals)	

■ Structural

Ambient Operating Temperature	Cabinet Interior	W/Fan	5°C to 50°C
		W/out Fan ^{*1}	5°C to 40°C
	Panel Face	5°C to 40°C	
Storage Temperature	-10 °C to 60 °C		
Ambient Humidity	30% RH to 85% RH (no condensation)		
Air Purity Level	Free of dust		
Atmosphere	Free of corrosive gas		
Vibration Resistance	19.6m/s ² at 10Hz to 25Hz in X, Y, Z directions for 30 minutes With HDD attached : 4.9m/s ² With FDD attached : 9.8m/s ²		
Noise Endurance (via noise simulator)	Noise Voltage : 1500V Pulse Duration : 50ns, 500ns, 1ms Start-up Time : 1ns		
Electrostatic Discharge Immunity	4kV IEC 61000-4-2		
Noise Immunity	1kV IEC 61000-4-4		

*1 When the fan in the unit is uninstalled.

■ Environmental

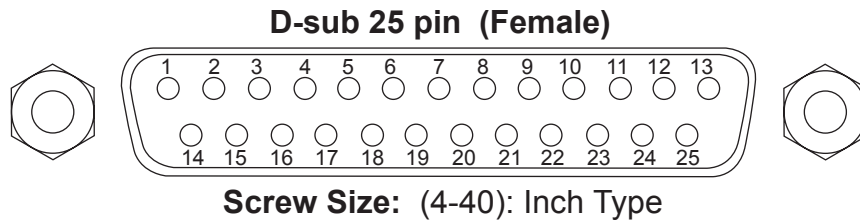
	PL-7900T	PL-7901T
Grounding	Exclusive grounding only: Less than 100Ω, or your country's applicable standard.	
Rating ^{*1}	Equivalent to IP65f (JEM1030)	
Cooling Method	Via heat convection tubes and electric fan	
Weight	Less than 10.5 kg (23.1 lb) (with HDD and FDD installed)	Less than 9.5 kg (20.9 lb) (with HDD and FDD installed)
External Dimensions	W374 mm [14.72 in.] x H325 mm [12.80 in.] x D180 mm [7.09 in.] (excluding projections)	W374 mm [14.72 in.] x H325 mm [12.80 in.] x D134 mm [5.28 in.] (excluding projections)
Dimensions Including Full-sized Cover	W422 mm [16.61 in.] x H325 mm [12.80 in.] x D180 mm [7.09 in.] (excluding projections)	W422 mm [16.61 in.] x H325 mm [12.80 in.] x D134 mm [5.28 in.] (excluding projections)
Dimensions Including Mirror Disk Unit	W374 mm [14.72 in.] x H325 mm [12.80 in.] x D184 mm [7.24 in.] (excluding projections)	W374 mm [14.72 in.] x H325 mm [12.80 in.] x D184 mm [7.24 in.] (excluding projections)
Panel Cut Out	360 (+0.5 –0) mm [14.17 (+0.02 –0) in.] x 311 (+0.5 –0) mm [12.24 (+0.02 –0) in.] Panel thickness : 1.6 mm [0.06 in.] to 10.0mm [0.39 in.]	

**1 The front face of the PL unit, installed in a solid panel, has been tested using conditions equivalent to the standard shown in the specification . Even though the PL unit's level of resistance is equivalent to the standard, oils that should have no effect on the PL can possibly harm the unit. This can occur in areas where either vaporized oils are present, or where low viscosity cutting oils are allowed to adhere to the unit for long periods of time. If the PL's front face protection sheet becomes peeled off, these conditions can lead to the ingress of oil into the PL and separate protection measures are suggested. Also, if non-approved oils are present, it may cause deformation or corrosion of the front panel's plastic cover. Therefore, prior to installing the PL be sure to confirm the type of conditions that will be present in the PL's operating environment.*

If the installation gasket is used for a long period of time, or if the unit and its gasket are removed from the panel, the original level of the protection cannot be guaranteed. To maintain the original protection level, you need to replace the installation gasket regularly.

4 Interface Specifications

■ Printer Interface (LPT1)

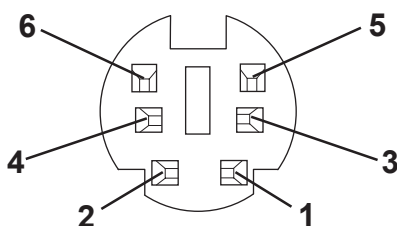


Note: **O.D** : Open Drain
T.S : 3 state I/O
TTLIN : TTL Input

Pin No.	SPP/ECP Mode Signal Name	EPP Mode Signal Name	Direction	Electrical Specif.	Pin No.	SPP/ECP Mode Signal Name	EPP Mode Signal Name	Direction	Electrical Specif.
1	$\overline{\text{STRB}}$	$\overline{\text{WRITE}}$	In/Output	O.D	14	$\overline{\text{AUTOFD}}$	$\overline{\text{DSTRB}}$	In/Output	O.D
2	DATA0	DATA0	In/Output	O.D	15	$\overline{\text{ERROR}}$	$\overline{\text{ERROR}}$	Input	TTL
3	DATA1	DATA1	In/Output	O.D	16	$\overline{\text{INIT}}$	$\overline{\text{INIT}}$	In/Output	O.D
4	DATA2	DATA2	In/Output	O.D	17	$\overline{\text{SLCTIN}}$	$\overline{\text{ADSTRB}}$	In/Output	O.D
5	DATA3	DATA3	In/Output	O.D	18	GND	GND		
6	DATA4	DATA4	In/Output	O.D	19	GND	GND		
7	DATA5	DATA5	In/Output	O.D	20	GND	GND		
8	DATA6	DATA6	In/Output	O.D	21	GND	GND		
9	DATA7	DATA7	In/Output	O.D	22	GND	GND		
10	$\overline{\text{ACKNLG}}$	$\overline{\text{ACKNLG}}$	Input	TTL	23	GND	GND		
11	BUSY	WAIT	Input	TTL	24	GND	GND		
12	PE	PE	Input	TTL	25	GND	GND		
13	SLCT	SLCT	Input	TTL					

■ Keyboard Interface

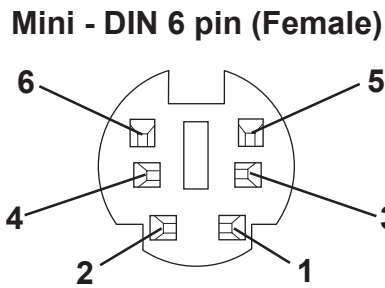
Mini - DIN 6 pin (Female)



(The PL's front and side connectors are the same)

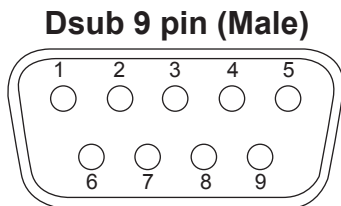
Pin No.	Signal Name
1	KEYDATA
2	NC
3	GND
4	+5V
5	KEYCLK
6	NC
SHIELD	GND

■ Mouse Interface



Pin No.	Signal Name
1	Mouse DATA
2	NC
3	GND
4	+5V
5	Mouse CLK
6	NC
SHIELD	GND

■ RS-232C Interface (COM1/COM2/COM3)



Screw Size: (4-40): Inch Type

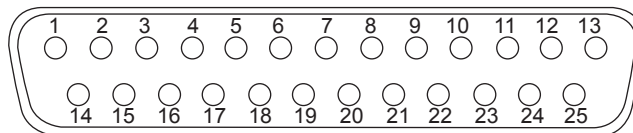
Pin No.	Signal Name	Pin No.	Signal Name
1	CD	6	DSR
2	RXD	7	RTS
3	TXD	8	CTS
4	DTR	9	RI
5	GND		



The GND terminal is the signal ground. Be sure to connect the GND terminal to other unit's SG (signal ground).

■ RAS Interface

Dsub 25 pin (Male)

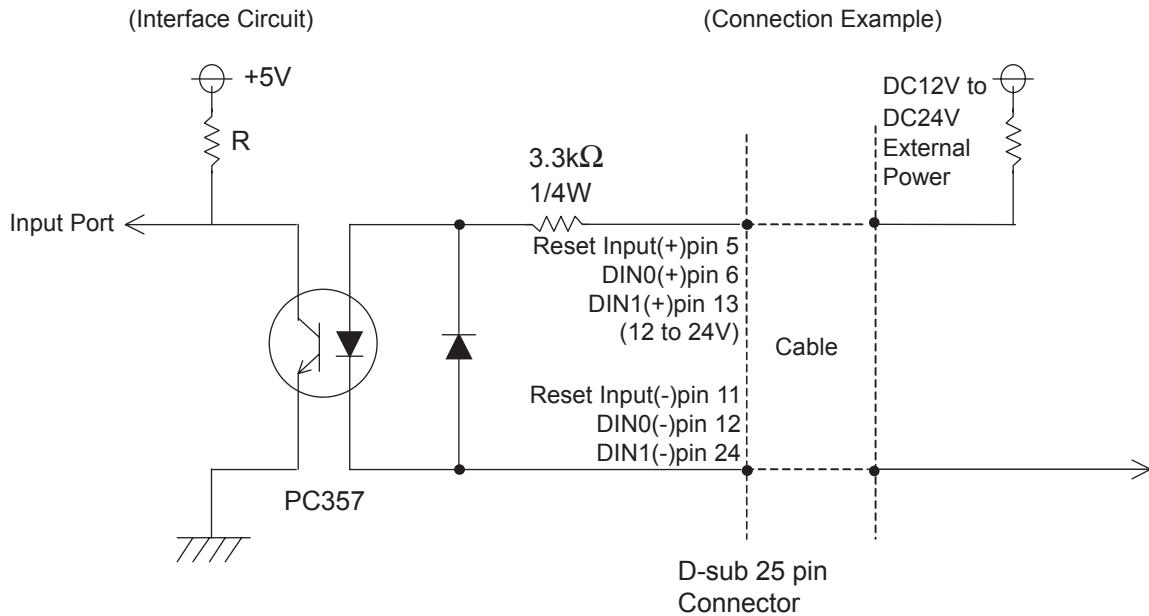


Screw Size: (4-40): Inch Type

Pin No.	Signal Name	Pin No.	Signal Name
1	GND	14	GND
2	+5V	15	+5V
3	+12V	16	NC
4	NC	17	NC
5	RESET INPUT (+)	18	NC
6	DIN 0 (+)	19	NC
7	DOUT (-)	20	NC
8	DOUT (+)	21	LAMP OUT (-)
9	ALARM OUT (-)	22	LAMP OUT (+)
10	ALARM OUT (+)	23	NC
11	RESET INPUT (-)	24	DIN1 (-)
12	DIN 0 (-)	25	NC
13	DIN 1 (+)		

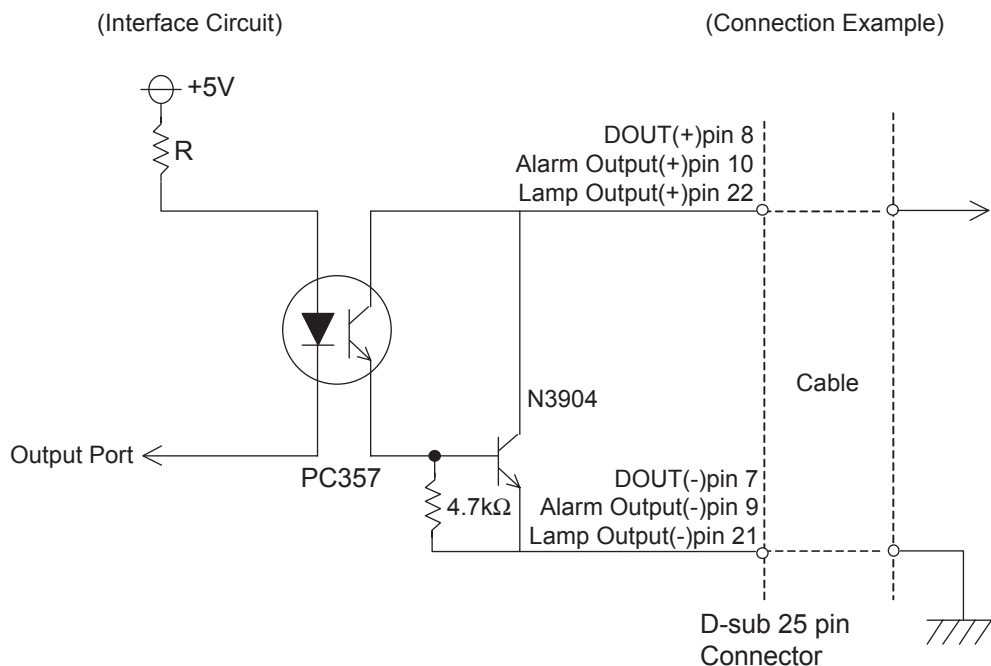
■ Input Port (Dual use of DIN, Remote Set Input Port)

- External Power : DC12V to 24V connection possible
- Input Hold : Hold Diode
- Isolation : Used (Photo isolation)



■ Output Port (DOOUT, Alarm Output, Lamp Output Port)

- Output Spec. : DC 24V 100mA (MAX)
- Isolation : Used (Photo isolation)



5 Installing the PL

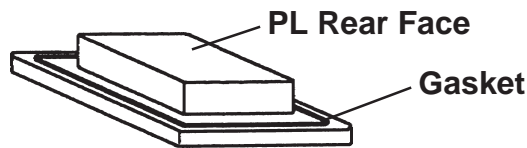
Follow the steps given below when installing the PL.

■ Attaching the Moisture Resistant Gasket

Even if the your PL's Moisture Resistant Gasket is not needed to prevent water from entering the unit, the gasket also acts as a vibration absorber and should always be attached. To install it, place the PL face down on a soft surface and attach the gasket to the rear side of the display face, in the plastic bezel's groove (see picture below).

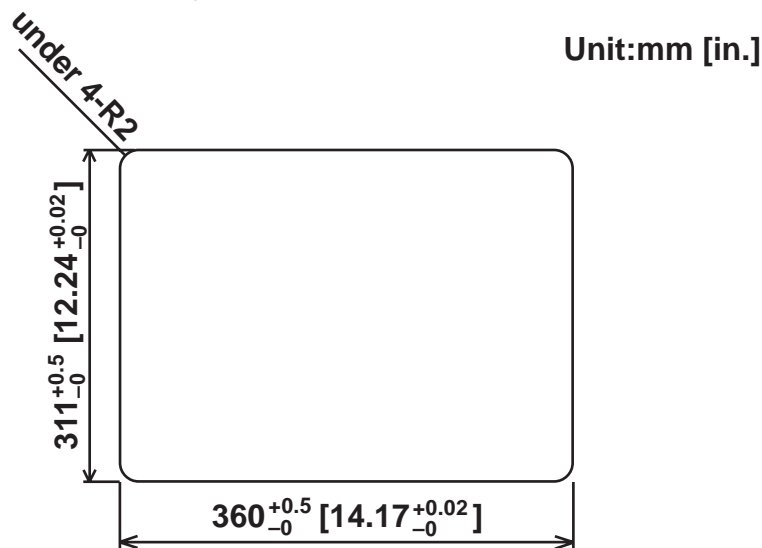


Before mounting the PL into a cabinet or panel, check that the moisture resistant gasket is attached to the unit.



■ Create a Panel Cut

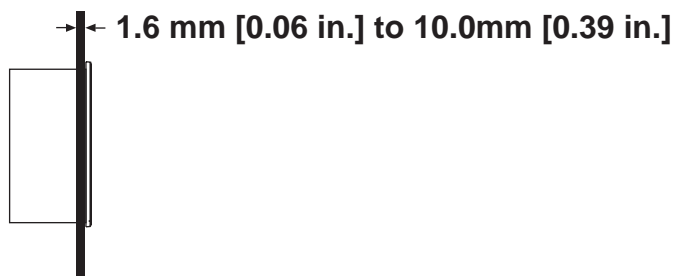
Create a panel cut for the PL unit, using the dimensions given here. Two additional items, the moisture resistant gasket and the mounting brackets are also required when installing the PL.



To obtain the maximum degree of moisture resistance, be sure to install the PL on a smooth, flat surface.

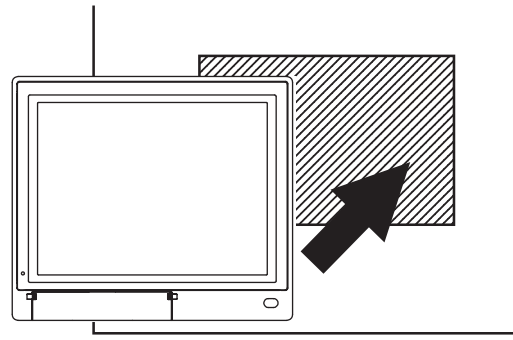


- The panel itself can be from 1.6 mm [0.06 in.] to 10.0 mm [0.39 in.] thick.
- Strengthening may be required for the panel. Be sure to consider the weight of the PL when designing the panel.



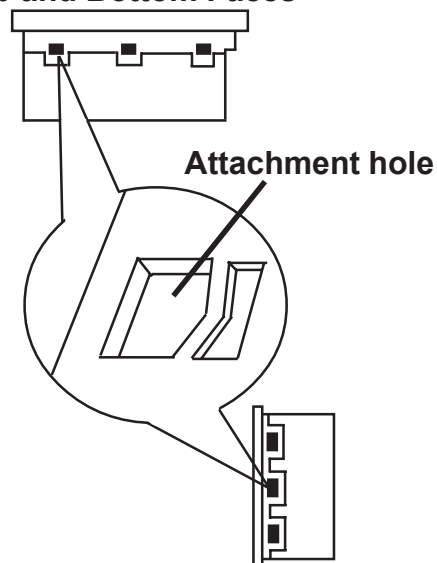
■ Installation

- 1) Insert the PL into the panel cut.



- 2) Locate the PL unit's eight (8) attachment holes (top, bottom, and sides). Insert each bracket into its attachment hole.

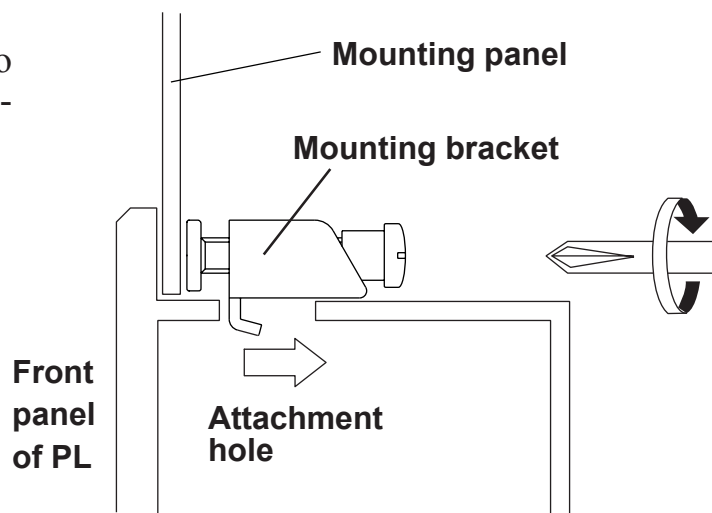
Top and Bottom Faces



Left and Right sides

- 3) After inserting each bracket into its attachment hole, slide the bracket backwards until it stops.

- 4) Use a screwdriver to tighten the bracket's adjustment screw.

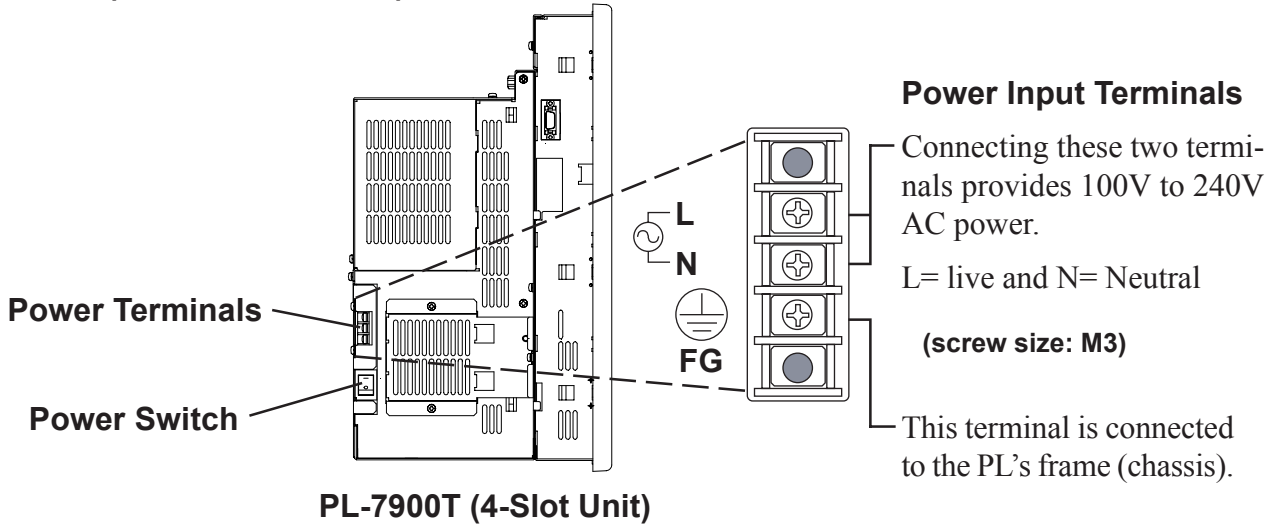


Excessive torque may damage the panel or bracket. To ensure a high degree of moisture resistance, the torque should be 0.5N•m.

6 Wiring the PL

■ Connecting the power cord

(Side View of PL)

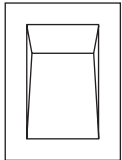


WARNINGS

- To prevent electric shocks, be sure to turn the PL's power supply OFF before connecting the power cord.
- To avoid the dangers of fire, electric hazards and equipment damage, be sure to use only the specified power supply voltage when operating the PL.

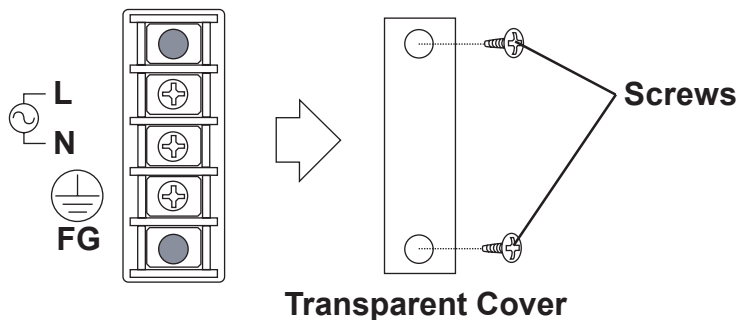
Use the following steps when connecting the power cord to the PL's power terminals.

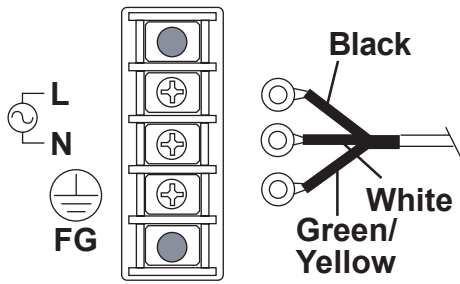
POWER



I :ON
o :OFF

- 1) Confirm that the PL unit's power switch is turned OFF. Then, remove the power terminal's transparent plastic cover.





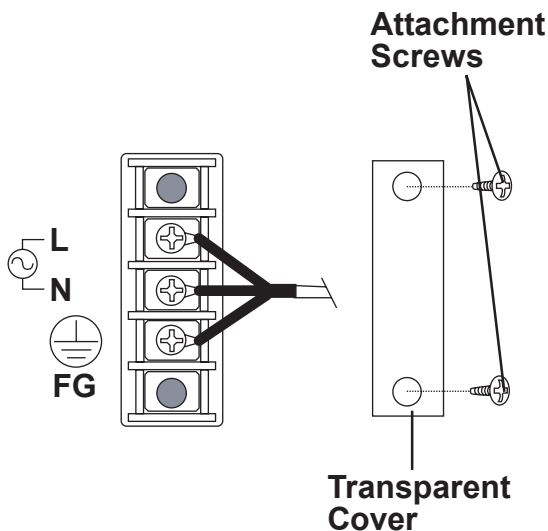
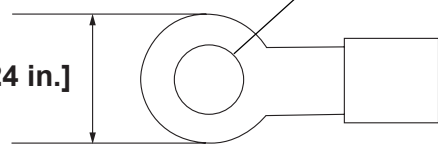
2) Loosen and remove the middle three(3) screws from the terminal strip. Align the crimp terminals with each screw hole, and tighten the screws.



- Crimp Terminal Types : V1.25-3, by J.S.T. or equivalent (JIS standard part number : **RAV1.25-3**)
- Crimp terminals must be the same as shown below.

ϕ 3.2 mm [0.13 in.] or larger

Max. 6.0 mm [0.24 in.]

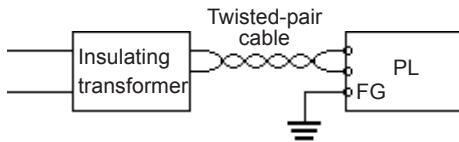
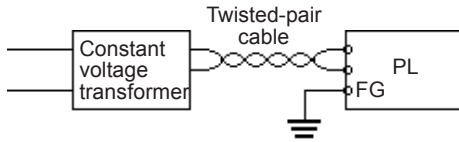


- The colors in the figure above are for the cable which came with the PL.
- This power cable is designed only for AC100/115V use. Be sure to use a different cable when using other than AC100/115V power.

3) Reattach the terminal strip's transparent cover with the attachment screws.

7 Power Supply Cautions

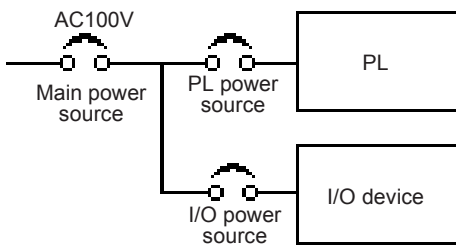
When connecting the PL unit's AC power terminals, please be aware of the following:



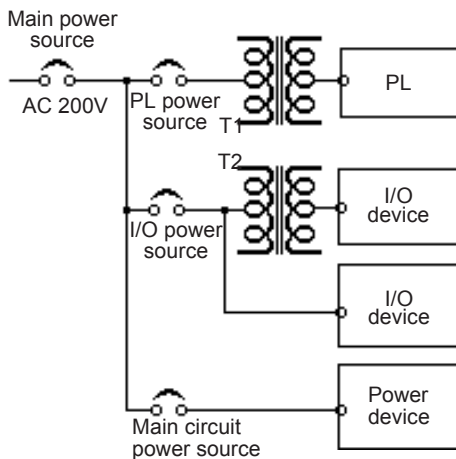
- If voltage fluctuations are expected to vary beyond the specified range, connect a constant voltage transformer.
- Use a low-noise power supply both between the lines and between the PL and its ground. If there is still excess noise, connect an insulating transformer (noise-prevention type).



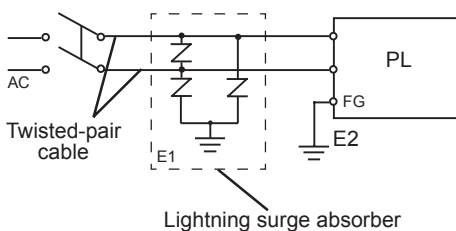
Note: Be sure any constant or insulating transformer used has a capacity of 200VA or more.



- Wire the power cords of the PL, I/O devices, and power supply devices separately.
- To improve noise immunity, it is recommended to attach a ferrite core to the power cord.



- Isolate the main circuit (high voltage, large current) line, I/O signal lines, and power cord, and do not bind or group them together.



- To prevent damage from lightning, connect a lightning surge absorber.



- Ground the lightning surge absorber (E1) and the PL (E2) separately.
- Select a lightning surge absorber which will not exceed the allowable circuit voltage, even when the voltage rises to the maximum.

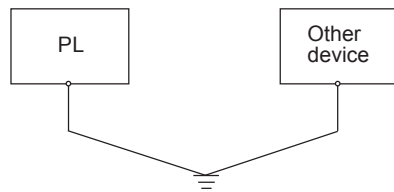
8 Grounding Cautions

(a) Dedicated Ground



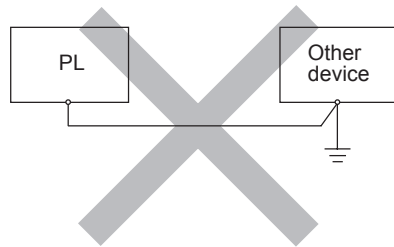
- Set up a dedicated ground when using the rear panel's FG terminal.

(b) Shared Ground - allowed



- If a dedicated ground is not possible, use a shared ground, as shown in figure (b).

(c) Shared ground - not allowed



- The grounding point must be as close to the PL as possible, and the grounding wires must be as short as possible. If the wires must be long, use thick, insulated wires and run them through conduits.

9 Cautions When Connecting I/O Signal Lines

- I/O signal lines must be wired separately from the power circuit cable. If the power circuit cable needs to be wired together with the input/output (I/O) signal lines for any reason, use shielded cables and ground one end of the shield to the PL's FG terminal.
- To improve noise immunity, it is recommended to attach a ferrite core to the power cord.

Note

Be aware that the Digital Electronics Corporation shall not be held liable for any real or estimated damages or losses, or third party claims resulting from the use of this product.