



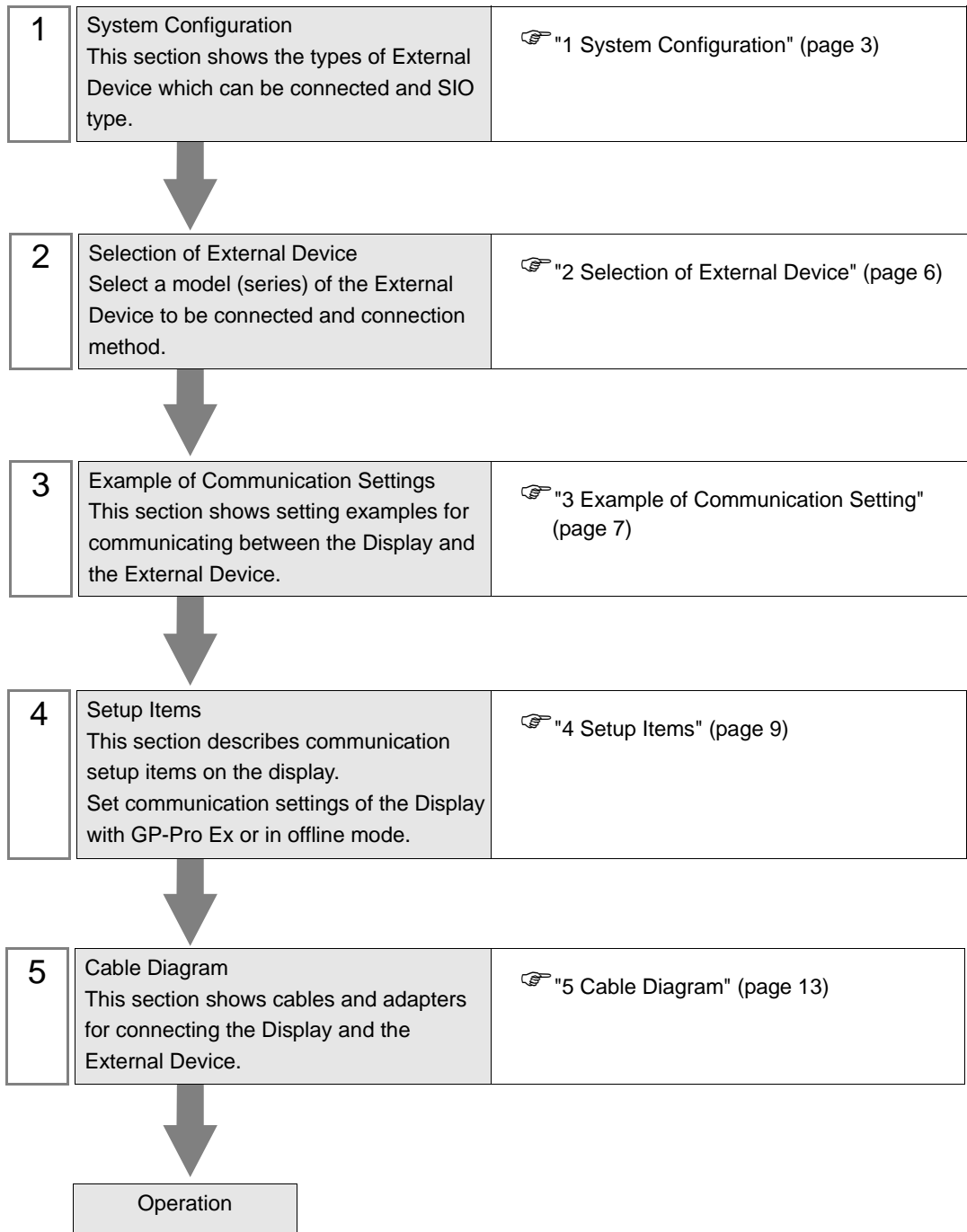
QnA Series CPU Direct Driver

1	System Configuration.....	3
2	Selection of External Device	6
3	Example of Communication Setting	7
4	Setup Items	9
5	Cable Diagram	13
6	Supported Device.....	19
7	Device Code and Address Code.....	21
8	Error Messages.....	23

Introduction

This manual describes how to connect the Display and the External Device (target PLC).

In this manual, the connection procedure will be described by following the below sections:



1 System Configuration

The system configuration in the case when the External Device of Mitsubishi Electric Corporation and the Display are connected is shown.

Series	CPU	Link I/F	SIO Type	Setting Example	Cable Diagram
MELSEC QnA Series	Q4A CPU Q3A CPU Q2A CPU -S1	CPU Direct	RS232C	Setting Example 1 (page 7)	Cable Diagram 1 (page 13)
	Q2A CPU Q2ASH CPU -S1 Q2ASH CPU Q2AS CPU -S1		RS422/485 (4wire)	Setting Example 2 (page 8)	Cable Diagram 2 (page 14)
	Q2AS CPU Q4AR CPU	2-port adapter II by Pro-face *1 (Model: GP070-MD11)	RS422/485 (4wire)	Setting Example 2 (page 8)	Cable Diagram 3 (page 16)

*1 Supported by 2-port adapter II Rev. B or later. 2-port adapter II does not support the communication in 38,400. Please use it in 19,200.

■ IPC COM Port

When connecting IPC with an External Device, the COM port used depends on the series and SIO type. Please refer to the IPC manual for details.

Usable port

Series	Usable Port		
	RS-232C	RS-422/485(4 wire)	RS-422/485(2 wire)
PS-2000B	COM1 ^{*1} , COM2, COM3 ^{*1} , COM4	-	-
PS-3450A, PS-3451A, PS3000-BA, PS3001-BD	COM1, COM2 ^{*1*2}	COM2 ^{*1*2}	COM2 ^{*1*2}
PS-3650A (T41 model), PS-3651A (T41 model)	COM1 ^{*1}	-	-
PS-3650A (T42 model), PS-3651A (T42 model)	COM1 ^{*1*2} , COM2	COM1 ^{*1*2}	COM1 ^{*1*2}
PS-3700A (Pentium®4-M) PS-3710A	COM1 ^{*1} , COM2 ^{*1} , COM3 ^{*2} , COM4	COM3 ^{*2}	COM3 ^{*2}
PS-3711A	COM1 ^{*1} , COM2 ^{*2}	COM2 ^{*2}	COM2 ^{*2}
PS4000 ^{*3}	COM1, COM2	-	-
PL3000	COM1 ^{*1*2} , COM2 ^{*1} , COM3, COM4	COM1 ^{*1*2}	COM1 ^{*1*2}

*1 The RI/5V can be switched. Use the IPC's switch to change if necessary.

*2 Set up the SIO type with the DIP Switch. Please set up as follows according to SIO type to be used.

*3 When making communication between an External Device and COM port on the Expansion slot, only RS-232C is supported. However, ER (DTR/CTS) control cannot be executed because of the specification of COM port.

For connection with External Device, use user-created cables and disable Pin Nos. 1, 4, 6 and 9.

Please refer to the IPC manual for details of pin layout.

DIP Switch setting: RS-232C

DIP Switch	Setting	Description
1	OFF ^{*1}	Reserved (always OFF)
2	OFF	SIO type: RS-232C
3	OFF	
4	OFF	Output mode of SD (TXD) data: Always output
5	OFF	Terminal resistance (220Ω) insertion to SD (TXD): None
6	OFF	Terminal resistance (220Ω) insertion to RD (RXD): None
7	OFF	Short-circuit of SDA (TXA) and RDA (RXA): Not available
8	OFF	Short-circuit of SDB (TXB) and RDB (RXB): Not available
9	OFF	RS (RTS) Auto control mode: Disabled
10	OFF	

*1 When using PS-3450A, PS-3451A, PS3000-BA and PS3001-BD, turn ON the set value.

DIP Switch setting: RS-422/485 (4 wire)

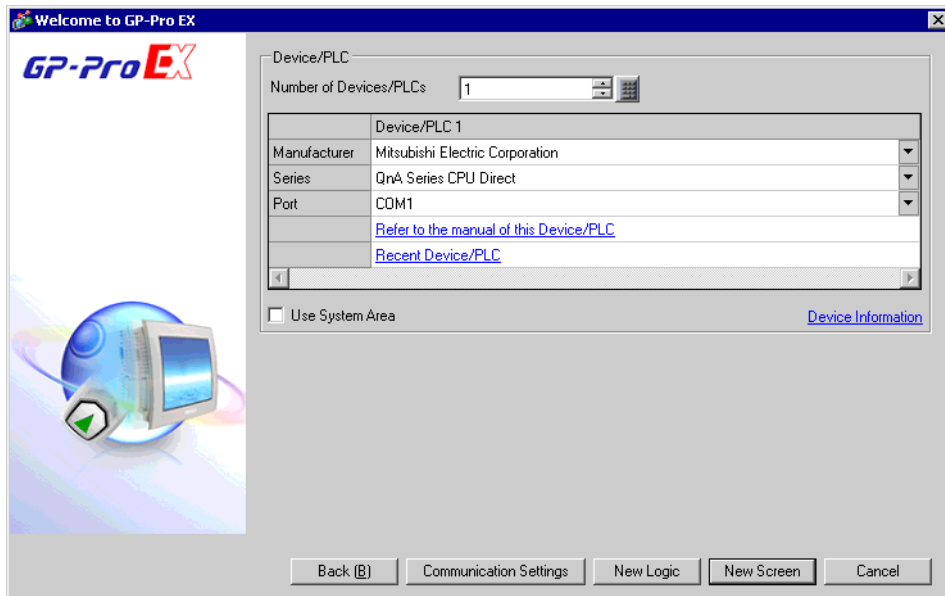
DIP Switch	Setting	Description
1	OFF	Reserved (always OFF)
2	ON	SIO type: RS-422/485
3	ON	
4	OFF	Output mode of SD (TXD) data: Always output
5	OFF	Terminal resistance (220Ω) insertion to SD (TXD): None
6	OFF	Terminal resistance (220Ω) insertion to RD (RXD): None
7	OFF	Short-circuit of SDA (TXA) and RDA (RXA): Not available
8	OFF	Short-circuit of SDB (TXB) and RDB (RXB): Not available
9	OFF	RS (RTS) Auto control mode: Disabled
10	OFF	

DIP Switch setting: RS-422/485 (2 wire)

DIP Switch	Setting	Description
1	OFF	Reserved (always OFF)
2	ON	SIO type: RS-422/485
3	ON	
4	OFF	Output mode of SD (TXD) data: Always output
5	OFF	Terminal resistance (220Ω) insertion to SD (TXD): None
6	OFF	Terminal resistance (220Ω) insertion to RD (RXD): None
7	ON	Short-circuit of SDA (TXA) and RDA (RXA): Available
8	ON	Short-circuit of SDB (TXB) and RDB (RXB): Available
9	ON	RS (RTS) Auto control mode: Enabled
10	ON	

2 Selection of External Device

Select the External Device to be connected to the Display.



Setup Items	Setup Description
Number of Devices/PLCs	Enter an integer from 1 to 4 to define the number of Devices/PLCs to connect to the display.
Manufacturer	Select the manufacturer of the External Device to connect. Select "Mitsubishi Electric Corporation".
Series	Select the External Device model (series) and the connection method. Select "QnA Series CPU Direct". In System configuration, make sure the External Device you are connecting is supported by "QnA Series CPU Direct". ☞ "1 System Configuration" (page 3)
Port	Select the Display port to connect to the External Device.
Use System Area	Check this option to synchronize the system data area of the Display and the device (memory) of the External Device. When synchronized, you can use the External Device's ladder program to switch the display or display the window on the Display. Cf. GP-Pro EX Reference Manual "LS Area (Direct Access Method Area)" This feature can also be set in GP-Pro EX or in the Display's offline mode. Cf. GP-Pro EX Reference Manual "System Settings [Display Unit] - [System Area] Settings Guide" Cf. Maintenance/Troubleshooting Guide "Main Unit - System Area Settings"

3 Example of Communication Setting

Examples of communication settings of the Display and the External Device, recommended by Pro-face, are shown.

3.1 Setting Example 1

■ Setting of GP-Pro EX

◆ Communication Settings

To display the setup screen, from the [Project] menu, point to [System Settings] and select [Device/PLC].

Device/PLC 1

Summary [Change Device/PLC](#)

Manufacturer: Mitsubishi Electric Corporation Series: QnA Series CPU Direct Port: COM1

Text Data Mode: 2 [Change](#)

Communication Settings

SID Type: RS232C RS422/485(2wire) RS422/485(4wire)

Speed: 19200

Data Length: 7 8

Parity: NONE EVEN ODD

Stop Bit: 1 2

Flow Control: NONE ER(DTR/CTS) XON/XOFF

Timeout: 3 (sec)

Retry: 2

Wait To Send: 0 (ms)

RI / VCC: RI VCC

In the case of RS232C, you can select the 9th pin to RI (Input) or VCC (5V Power Supply). If you use the Digital's RS232C Isolation Unit or CPU I/F Cable for Mitsubishi PLC A Series (Digital's:GP430-IP10-0), please select it to VCC.

Default

Device-Specific Settings

Allowable Number of Devices/PLCs: 1 [Add Device](#)

No.	Device Name	Settings
1	PLC1	

[Add Indirect Device](#)

■ Settings of External Device

There is no setting on the External Device. The speed automatically switches according to the Display setting.

3.2 Setting Example 2

■ Setting of GP-Pro EX

◆ Communication Settings

To display the setup screen, from the [Project] menu, point to [System Settings] and select [Device/PLC].

The screenshot shows the 'Device/PLC 1' configuration window. It is divided into several sections:

- Summary:** Manufacturer: Mitsubishi Electric Corporation; Series: QnA Series CPU Direct; Port: COM1. A 'Change Device/PLC' link is visible.
- Text Data Mode:** Set to 2, with a 'Change' link.
- Communication Settings:**
 - SI0 Type:** Radio buttons for RS232C, RS422/485(2wire), and RS422/485(4wire). RS422/485(4wire) is selected.
 - Speed:** Dropdown menu set to 19200.
 - Data Length:** Radio buttons for 7 and 8. 8 is selected.
 - Parity:** Radio buttons for NONE, EVEN, and ODD. ODD is selected.
 - Stop Bit:** Radio buttons for 1 and 2. 1 is selected.
 - Flow Control:** Radio buttons for NONE, ER(DTR/CTS), and XON/XOFF. NONE is selected.
 - Timeout:** Spin box set to 3 (sec).
 - Retry:** Spin box set to 2.
 - Wait To Send:** Spin box set to 0 (ms).
 - RI / VCC:** Radio buttons for RI and VCC. RI is selected. A text box below explains: 'In the case of RS232C, you can select the 9th pin to RI (Input) or VCC (5V Power Supply). If you use the Digital's RS232C Isolation Unit or CPU I/F Cable for Mitsubishi PLC A Series (Digital's:GP430-IP10-0), please select it to VCC.'
 - Default:** A button to reset settings.
- Device-Specific Settings:**
 - Allowable Number of Devices/PLCs: 1. An 'Add Device' button is present.
 - A table with columns 'No.', 'Device Name', and 'Settings'. The first row shows '1', 'PLC1', and an empty settings field.
 - An 'Add Indirect Device' button with a plus sign is at the bottom right.

■ Device Setting

There is no setting on the External Device. The speed automatically switches according to the Display setting.

4 Setup Items

Set communication settings of the Display with GP-Pro Ex or in offline mode of the Display.

The setting of each parameter must be identical to that of External Device.

☞ "3 Example of Communication Setting" (page 7)

4.1 Setup Items in GP-Pro EX

■ Communication Settings

To display the setup screen, from the [Project] menu, point to [System Settings] and select [Device/PLC].

Device/PLC 1

Summary [Change Device/PLC](#)

Manufacturer Series Port

Text Data Mode [Change](#)

Communication Settings

SIO Type RS232C RS422/485(2wire) RS422/485(4wire)

Speed

Data Length 7 8

Parity NONE EVEN ODD

Stop Bit 1 2

Flow Control NONE ER(DTR/CTS) XON/XOFF

Timeout (sec)

Retry

Wait To Send (ms)

RI / VCC RI VCC

In the case of RS232C, you can select the 9th pin to RI (Input) or VCC (5V Power Supply). If you use the Digital's RS232C Isolation Unit or CPU I/F Cable for Mitsubishi PLC A Series (Digital's:GP430-IP10-0), please select it to VCC.

Device-Specific Settings

Allowable Number of Devices/PLCs [Add Device](#)

No.	Device Name	Settings
1	PLC1	<input type="text"/>

Setup Items	Setup Description
SIO Type	Select the SIO type to communicate with the External Device.
Speed	Select speed between the External Device and the Display.
Data Length	Select data length.
Parity	Select how to check parity.
Stop Bit	Select stop bit length.
Flow Control	Select the communication control method to prevent overflow of transmission and reception data.
Timeout	Use an integer from 1 to 127 to enter the time (s) for which the Display waits for the response from the External Device.
Retry	In case of no response from the External Device, use an integer from 0 to 255 to enter how many times the Display retransmits the command.

continued to next page

Setup Items	Setup Description
Wait To Send	Use an integer from 0 to 255 to enter standby time (ms) for the Display from receiving packets to transmitting next commands.
RI/VCC	You can switch RI/VCC of the 9th pin when you select RS232C for SIO type. It is necessary to change RI/5V by changeover switch of IPC when connect with IPC. Please refer to the manual of the IPC for more detail.

NOTE

- Refer to the GP-Pro EX Reference Manual for Indirect Device.
Cf. GP-Pro EX Reference Manual "Changing the Device/PLC at Runtime (Indirect Device)"
-

4.2 Settings in Offline Mode

- NOTE** • Refer to the Maintenance/Troubleshooting guide for information on how to enter offline mode or about the operation.

Cf. Maintenance/Troubleshooting Guide "Offline Mode"

- The number of the setup items to be displayed for 1 page in the offline mode depends on the Display in use. Please refer to the Reference manual for details.

■ Communication Settings

To display the setting screen, touch [Device/PLC Settings] from [Peripheral Settings] in offline mode. Touch the External Device you want to set from the displayed list.

(Page 1/2)

Comm.				
QnA Series CPU Direct		[COM1]	Page 1/2	
SIO Type	RS232C			
Speed	19200			
Data Length	8			
Parity	ODD			
Stop Bit	1			
Flow Control	NONE			
Timeout(s)		3	▼▲	
Retry		2	▼▲	
Wait to Send(ms)		0	▼▲	
				➔
Exit		Back		2005/09/02 12:42:15

Setup Items	Setup Description
SIO Type	Select the SIO type to communicate with the External Device. IMPORTANT To make the communication settings correctly, confirm the serial interface specifications of Display unit for [SIO Type]. We cannot guarantee the operation if a communication type that the serial interface does not support is specified. For details concerning the serial interface specifications, refer to the manual for Display unit.
Speed	Select speed between the External Device and the Display.
Data Length	Data length is displayed.
Parity	The parity check method is displayed.
Stop Bit	Stop bit length is displayed.

continued to next page

Setup Items	Setup Description
Flow Control	The communication control method to prevent overflow of transmission and reception data is displayed.
Timeout (s)	Use an integer from 1 to 127 to enter the time (s) for which the Display waits for the response from the External Device.
Retry	In case of no response from the External Device, use an integer from 0 to 255 to enter how many times the Display retransmits the command.
Wait to Send (ms)	Use an integer from 0 to 255 to enter standby time (ms) for the Display from receiving packets to transmitting next commands.

(Page 2/2)

Comm.				
QnA Series CPU Direct		[COM1]	Page 2/2	
RI / VCC <input checked="" type="radio"/> RI <input type="radio"/> VCC In the case of RS232C, if you use the Digital's RS232C Isolation Unit or CPU I/F Cable for Mitsubishi PLC A Series (Digital's:GP430-IP10-0), please select it to VCC.				
		←		
Exit		Back		2006/12/08 09:24:07

Setup Items	Setup Description
RI/VCC	You can switch RI/VCC of the 9th pin when you select RS232C for SIO type. It is necessary to change RI/5V by changeover switch of IPC when connect with IPC. Please refer to the manual of the IPC for more detail.

NOTE

- GP-4100 series and GP-4*0ITM do not have the [RI/VCC] setting in the offline mode.

5 Cable Diagram

The cable diagram shown below may be different from the cable diagram recommended by Mitsubishi Electric Corporation. Please be assured there is no operational problem in applying the cable diagram shown in this manual.

- The FG pin of the main body of the External Device must be D-class grounded. Please refer to the manual of the External Device for more details.
- SG and FG are connected inside the Display. When connecting SG to the External Device, design the system not to form short-circuit loop.
- Connect the isolation unit, when communication is not stabilized under the influence of a noise etc..

Cable Diagram 1

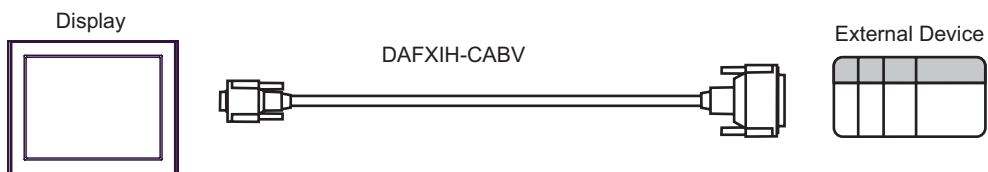
Display (Connection Port)	Cable		Notes
GP3000 (COM1) GP4000* ¹ (COM1) ST (COM1) IPC* ² PC/AT	1A	Interface internal cable for Mitsubishi FA equipments by Diatrend Corp. DAFXIH-CABV (3m)	Available to order the length up to 15 m
GP-4105 (COM1)	1B	User-created cable + Interface internal cable for Mitsubishi FA equipments by Diatrend Corp. DAFXIH-CABV (3m)	

*1 All GP4000 models except GP-4100 series and GP-4203T

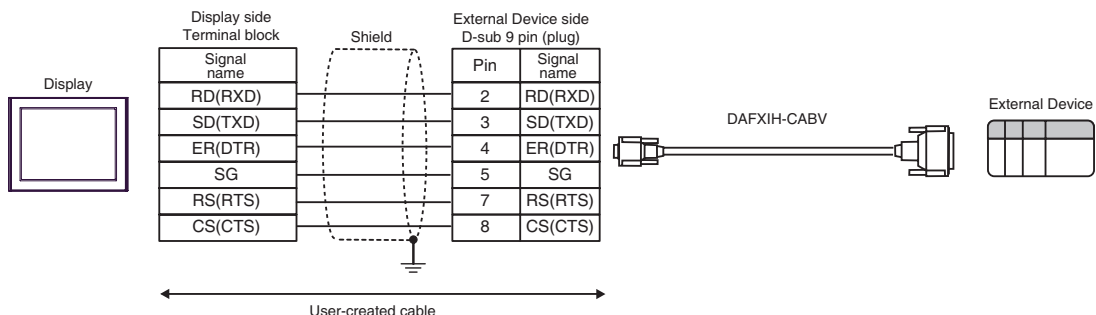
*2 Only the COM port which can communicate by RS-232C can be used.

☞ ■ IPC COM Port (page 4)

1A)



1B)



Cable Diagram 2

Display (Connection Port)	Cable		Notes
GP3000* ¹ (COM1) AGP-3302B (COM2) GP4000* ² (COM2) GP-4*01TM (COM1) GP-4201T (COM1) ST* ³ (COM2) IPC* ⁴	2A	Mitsubishi A connection cable by Pro-face CA3-CBLA-01 (5m)	
	2B	User-created cable	The cable length must be 500m or less.
GP-4106 (COM1)	2C	Mitsubishi PLC A Series Cable by Pro-face ZC9CBA51(5m)	
	2D	User-created cable	The cable length must be 500m or less.

*1 All GP3000 models except AGP-3302B

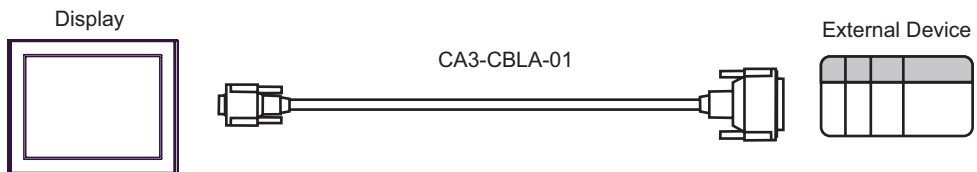
*2 All GP4000 models except GP-4100 series, GP-4*01TM, GP-4201T and GP-4*03T

*3 All ST models except AST-3211A and AST-3302B

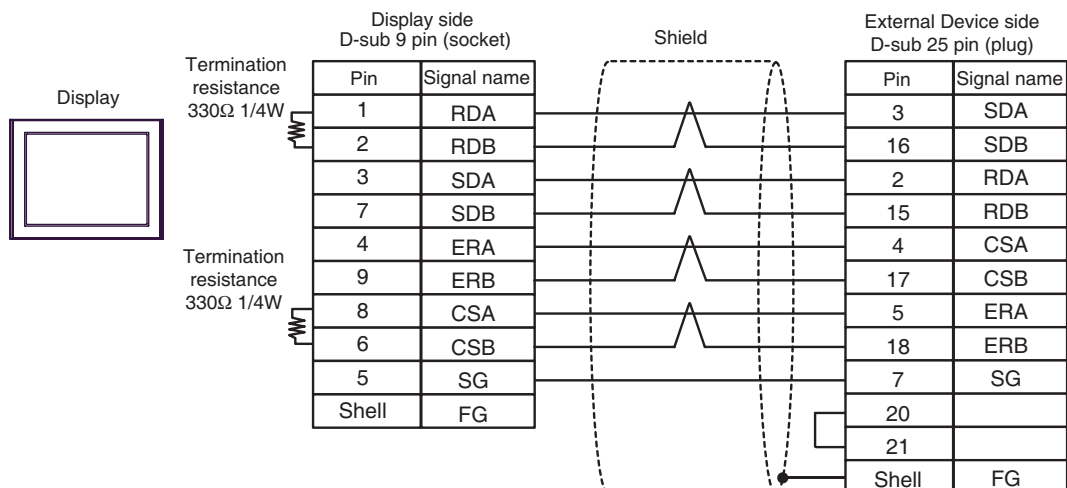
*4 Only the COM port which can communicate by RS-422/485 (4 wire) can be used.

 ■ IPC COM Port (page 4)

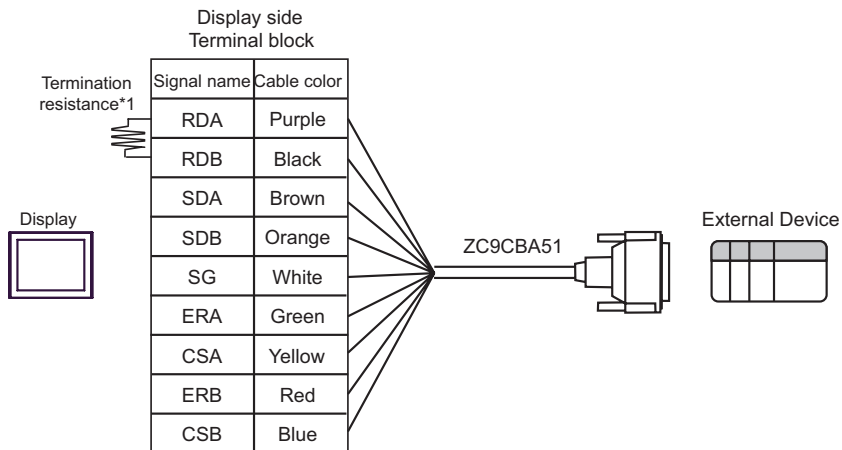
2A)



2B)



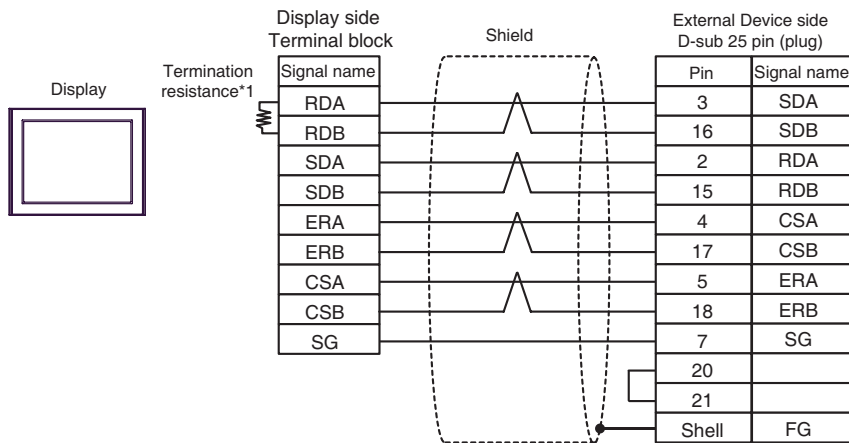
2C)



*1 The resistance in the Display is used as the termination resistance. Set the value of the DIP Switch on the rear of the Display as shown in the table below.

DIP Switch No.	Set Value
1	OFF
2	OFF
3	ON
4	OFF

2D)



*1 The resistance in the Display is used as the termination resistance. Set the value of the DIP Switch on the rear of the Display as shown in the table below.

DIP Switch No.	Set Value
1	OFF
2	OFF
3	ON
4	OFF

Cable Diagram 3

Display (Connection Port)	Cable		Notes
GP3000* ¹ (COM1) AGP-3302B (COM2) GP-4*01TM (COM1) ST* ² (COM2) IPC* ³	3A	COM port conversion adapter by Pro-face CA3-ADPCOM-01 + 2-port adapter cable for AGP by Pro-face CA3-MDCB11 (5m) + 2-port adapter II by Pro-face GP070-MD11	
	3B	User-created cable + 2-port adapter II by Pro-face GP070-MD11	The cable length must be 600m or less.
GP3000* ⁴ (COM2)	3C	Online adapter by Pro-face CA4-ADPONL-01 + 2-port adapter cable for AGP by Pro-face CA3-MDCB11 (5m) + 2-port adapter II by Pro-face GP070-MD11	
	3D	Online adapter by Pro-face CA4-ADPONL-01 + User-created cable + 2-port adapter II by Pro-face GP070-MD11	The cable length must be 600m or less.
GP-4106 (COM1)	3E	User-created cable + 2-port adapter II by Pro-face GP070-MD11	The cable length must be 600m or less.
GP4000* ⁵ (COM2) GP-4201T (COM1)	3F	2-port adapter cable by Pro-face PFXZCBCBMD1* ⁶ + 2-port adapter II by Pro-face GP070-MD11	
	3B	User-created cable + 2-port adapter II by Pro-face GP070-MD11	The cable length must be 600m or less.

*1 All GP3000 models except AGP-3302B

*2 All ST models except AST-3211A and AST-3302B

*3 Only the COM port which can communicate by RS-422/485 (4 wire) can be used.

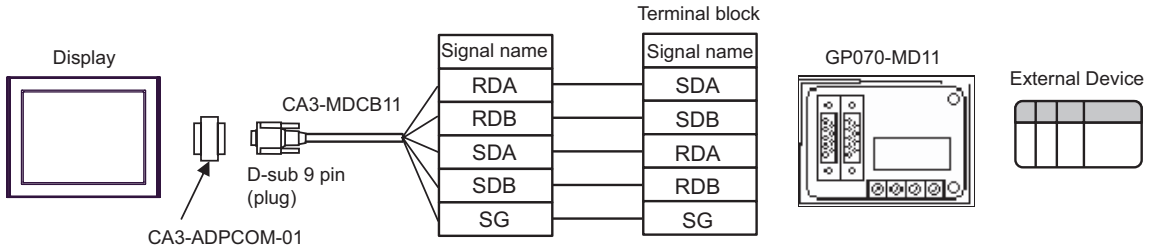
 ■ IPC COM Port (page 4)

*4 All GP3000 models except GP-3200 series and AGP-3302B

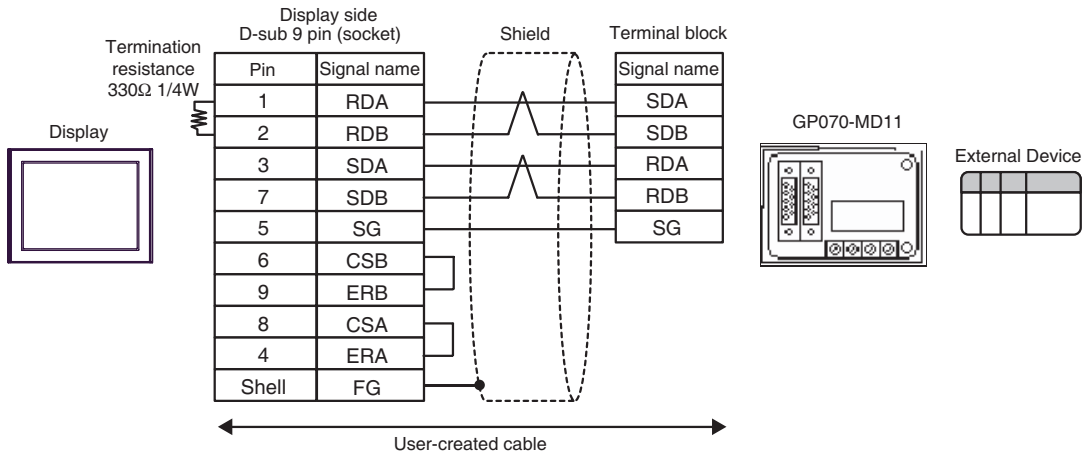
*5 All GP4000 models except GP-4100 series, GP-4*01TM, GP-4201T and GP-4*03T

*6 When using a 2-port Adapter Cable (CA3-MDCB11) instead of the 2-port Adapter Cable, refer to Cable Diagram 3A.

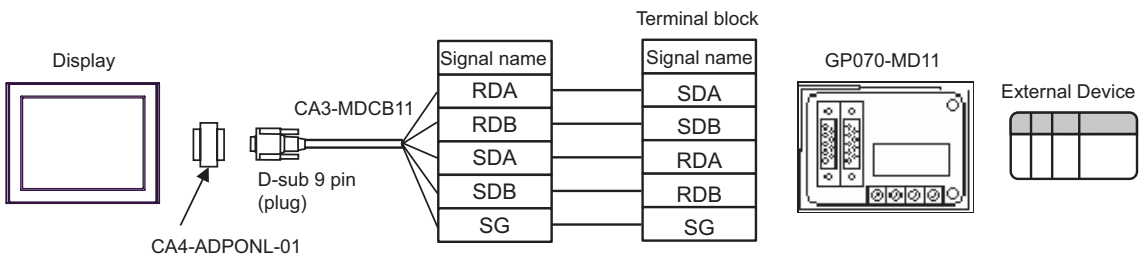
3A)



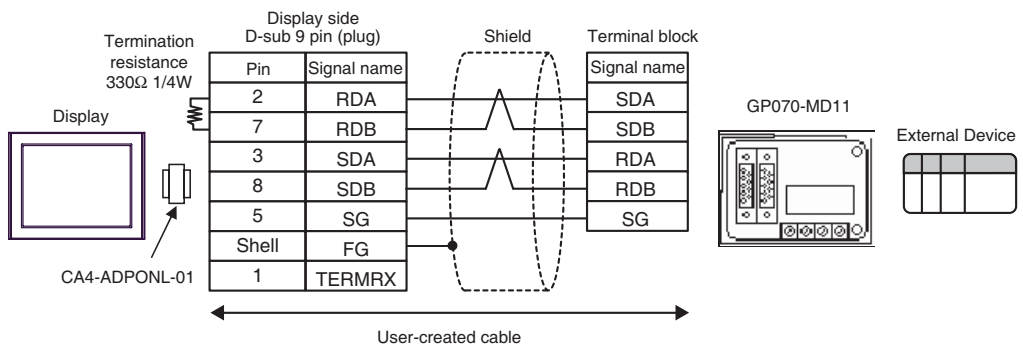
3B)



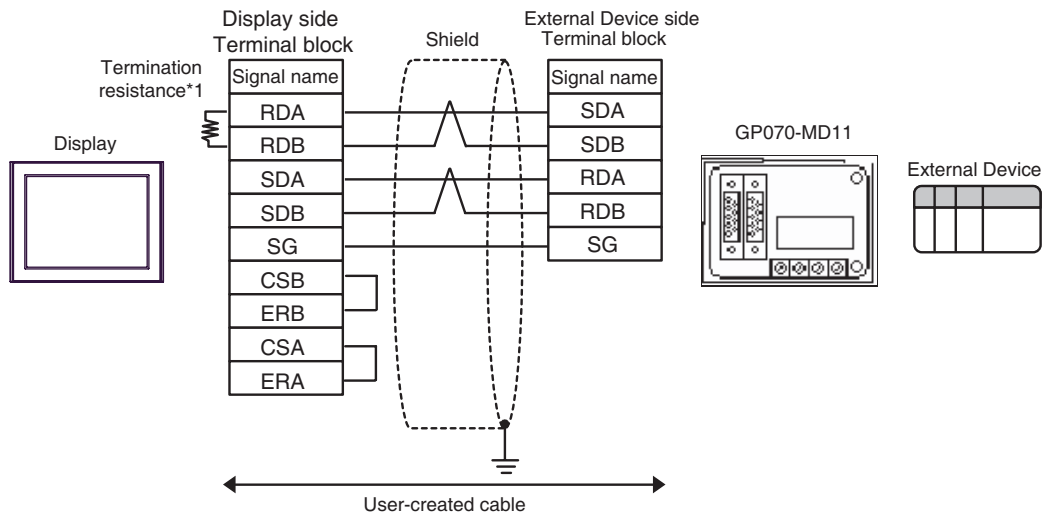
3C)



3D)



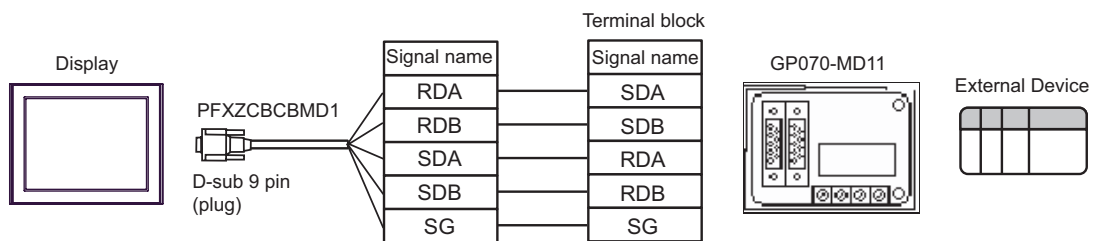
3E)



*1 The resistance in the Display is used as the termination resistance. Set the value of the DIP Switch on the rear of the Display as shown in the table below.

DIP Switch No.	Set Value
1	OFF
2	OFF
3	ON
4	OFF

3F)



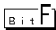
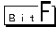
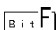
6 Supported Device

Range of supported device address is shown in the table below.

 This address can be specified as system data area.

Device	Bit Address	Word Address	32 bits	Notes
Input Relay	X0000 - X1FFF	X0000 - X1FF0	[L/H]	...0
Output Relay	Y00000 - Y1FFF	Y0000 - Y1FF0		...0
Internal Relay	M00000 - M32767	M00000 - M32752		+16
Special Relay	SM0000 - SM2047	SM0000 - SM2032		+16
Latch Relay	L000000 - L32767	L00000 - L32752		+16
Annunciator	F00000 - F32767	F00000 - F32752		+16
Edge Relay	V00000 - V32767	V00000 - V32752		+16
Step Relay	S0000 - S8191	S0000 - S8176		+16
Link Relay	B0000 - B7FFF	B0000 - B7FF0		...0
Special Link Relay	SB000 - SB7FF	SB000 - SB7F0		...0
Timer (Contact)	TS00000 - TS23087	-----		
Timer (Coil)	TC00000 - TC23087	-----		
Retentive Timer (Contact)	SS00000 - SS23087	-----		
Retentive Timer (Coil)	SC00000 - SC23087	-----		
Counter (Contact)	CS00000 - CS23087	-----		
Counter (Coil)	CC00000 - CC23087	-----		
Timer (Current Value)	-----	TN0000 - TN23087		
Retentive Timer (Current Value)	-----	SN0000 - SN23087		
Counter (Current Value)	-----	CN0000 - CN23087		
Data Register	-----	D0000 - D25983		B + F
Special Register	-----	SD0000 - SD2047		
Link Register	-----	W0000 - W657F		
Special Link Register	-----	SW000 - SW7FF	B + F	


continued to next page

Device	Bit Address	Word Address	32 bits	Notes
File Register (Normal)	-----	R00000 - R32767	[L / H]	 *1
File Register (Block switching is not necessary)	-----	ZR0000000 - ZR1042431		 *1
File Register*2 (0R - 31R)	-----	0R00000 - 0R32767		 *1
	-----	1R00000 - 1R32767		
	-----	2R00000 - 2R32767		
	-----	3R00000 - 3R32767		
	:	:		
	-----	28R00000 - 28R32767		
	-----	29R00000 - 29R32767		
	-----	30R00000 - 30R32767		
-----	31R00000 - 31R26623			

*1 You need the memory card when using the file register.

*2 Set the block No. on the head of device name. This is the device name for conversion with GP-Pro/PB III for Windows. When you newly specify the device, we recommend that you should use the file register (Block switching is not necessary).

NOTE

- Please refer to the GP-Pro EX Reference Manual for system data area.
Cf. GP-Pro EX Reference Manual "LS Area (Direct Access Method Area)"
- Please refer to the precautions on manual notation for icons in the table.
 "Manual Symbols and Terminology"
- Even if you use an address not existing in the External Device, no read error may be displayed. In this case, the read-out data keeps 0.
In writing, an error is displayed.

7 Device Code and Address Code

Use device code and address code when you select "Device Type & Address" for the address type in data displays.

Device	Device Name	Device Code (HEX)	Address Code
Input Relay	X	0080	Value of word address divided by 0x10
Output Relay	Y	0081	Value of word address divided by 0x10
Internal Relay	M	0082	Value of word address divided by 16
Special Relay	SM	0083	Value of word address divided by 16
Latch Relay	L	0084	Value of word address divided by 16
Annunciator	F	0085	Value of word address divided by 16
Edge Relay	V	0086	Value of word address divided by 16
Step Relay	S	0087	Value of word address divided by 16
Link Relay	B	0088	Value of word address divided by 0x10
Special Link Relay	SB	0089	Value of word address divided by 0x10
Timer (Current Value)	TN	0060	Word Address
Retentive Timer (Current Value)	SN	0062	Word Address
Counter (Current Value)	CN	0061	Word Address
Data Register	D	0000	Word Address
Special Register	SD	0001	Word Address
Link Register	W	0002	Word Address
Special Link Register	SW	0003	Word Address
File Register (Normal)	R	000F	Word Address
File Register (Block switching is not necessary)	ZR	000E	Word Address

continued to next page

Device	Device Name	Device Code (HEX)	Address Code
File Register (0R - 31R)	0R	0010	Word Address
	1R	0011	Word Address
	2R	0012	Word Address
	3R	0013	Word Address
	:	:	:
	28R	002C	Word Address
	29R	002D	Word Address
	30R	002E	Word Address
	31R	002F	Word Address

8 Error Messages

Error messages are displayed on the screen of Display as follows: "No. : Device Name: Error Message (Error Occurrence Area)". Each description is shown below.

Item	Description
No.	Error No.
Device Name	Name of External Device where error occurs. Device name is a title of External Device set with GP-Pro EX.(Initial value [PLC1])
Error Message	Displays messages related to the error which occurs.
Error Occurrence Area	Displays IP address or device address of External Device where error occurs, or error codes received from External Device. NOTE <ul style="list-style-type: none"> • IP address is displayed such as "IP address(Decimal): MAC address(Hex)". • Device address is displayed such as "Address: Device address". • Received error codes are displayed such as "Decimal[Hex]".

Display Examples of Error Messages

"RHAA035: PLC1: Error has been responded for device write command (Error Code: 2 [02H])"

-
- | | |
|-------------|---|
| NOTE | <ul style="list-style-type: none"> • Refer to your External Device manual for details on received error codes. • Refer to "Display-related errors" in "Maintenance/Troubleshooting Guide" for details on the error messages common to the driver. |
|-------------|---|
-

