



# USB/RS-422/485 Conversion Adapter Connection Guide

1	Supported Drivers .....	3
2	Cable Diagrams .....	4

## Introduction

This manual describes how to use a Pro-face's USB/RS-422/485 Conversion Adapter (PFXZCBCBCVUSR41) to connect a Display and External Device.

Please refer to the USB/RS-422/485 Conversion Adapter installation guide for details.

# 1 Supported Drivers

You can connect the following External Devices using the USB/RS-422/485 Conversion Adapter.

Manufacturer	Driver Name
CHINO CORPORATION	Temp. Controller MODBUS SIO
Digital Electronics Corporation	General SIO
Fuji Electric Co., Ltd	Inverter SIO
	Temp. Controller MODBUS SIO
Hitachi Industrial Equipment Systems Co., Ltd.	Inverter ASCII SIO
	Inverter MODBUS RTU
Mitsubishi Electric Corporation	FREQROL Inverter
Modbus-IDA	General MODBUS RTU SIO Master
Omron Corporation	Temp. Controller CompoWay/F
RKC Instrument Inc.	Temp. Controller MODBUS SIO
	Temperature Controller
Shinko Technos Co., Ltd.	Temperature Controller SIO
Yamatake Corporation	Digital Temperature Controller SIO
Yaskawa Electric Corporation	Inverter/Servo SIO
Yokogawa Electric Corporation	Personal Computer Link SIO* <sup>1</sup>

\*1 Supports only temperature controller, digital instruction controller and UT2000 series.

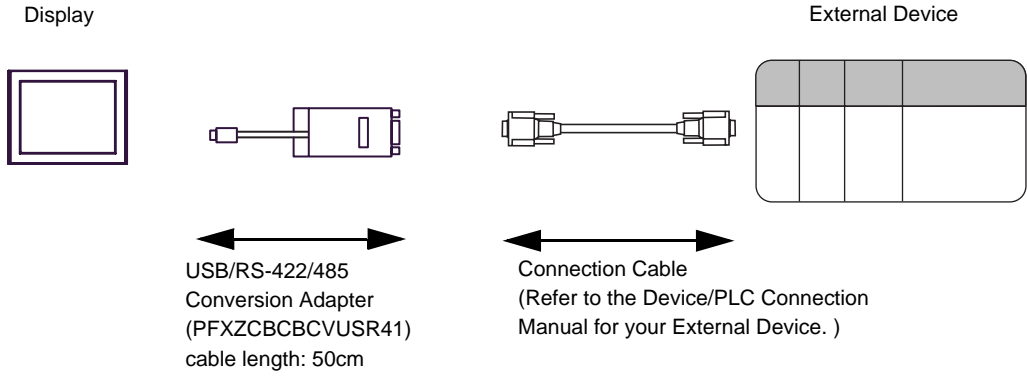
## IMPORTANT

- To use a USB/RS-422/485 Conversion Adapter, when you set up an external device, in the [Port] drop-down list select [USB/SIO(RS422/485)].
- Set [Flow Control] to [None]. If you select any other value, communication is not available.

## 2 Cable Diagrams

### 2.1 Connection Configuration

The connection for a USB/RS-422/485 Conversion Adapter is shown below.



## 2.2 Connection Cable Diagram

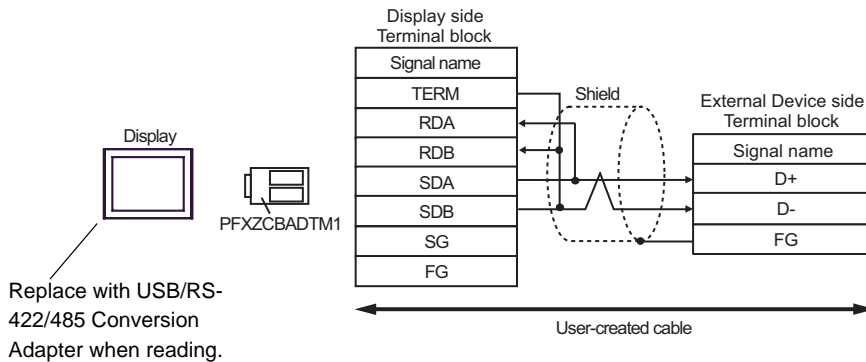
The connection cable varies depending on the External Device. For contents and settings, please refer to the associated Device/PLC Connection Manual for the External Device you are using.

- About the information in the Device/PLC Connection Manual

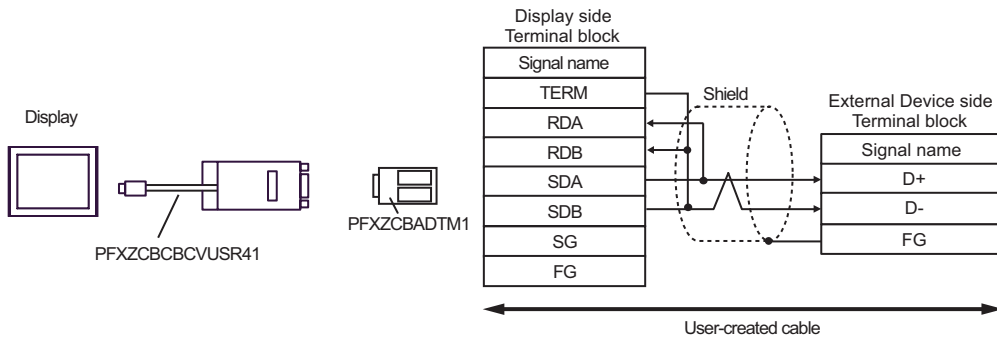
The cable diagram for the connection cable corresponds to "GP4000 (COM2)" in the Device/PLC Connection Manual.

When referring to cable diagrams in the Device/PLC Connection Manual, replace "Display" with "USB/RS-422/485 Conversion Adapter".

- Device/PLC Connection Manual Example:



- Cable Diagram After Replacing:



**IMPORTANT**

- When the communication method is RS-422/485 (4 Wire), set the USB/RS-422/485 Conversion Adapter's Dip Switch to "RS-422". Set to "RS-485" for RS-422/485 (2 wire) communication.