



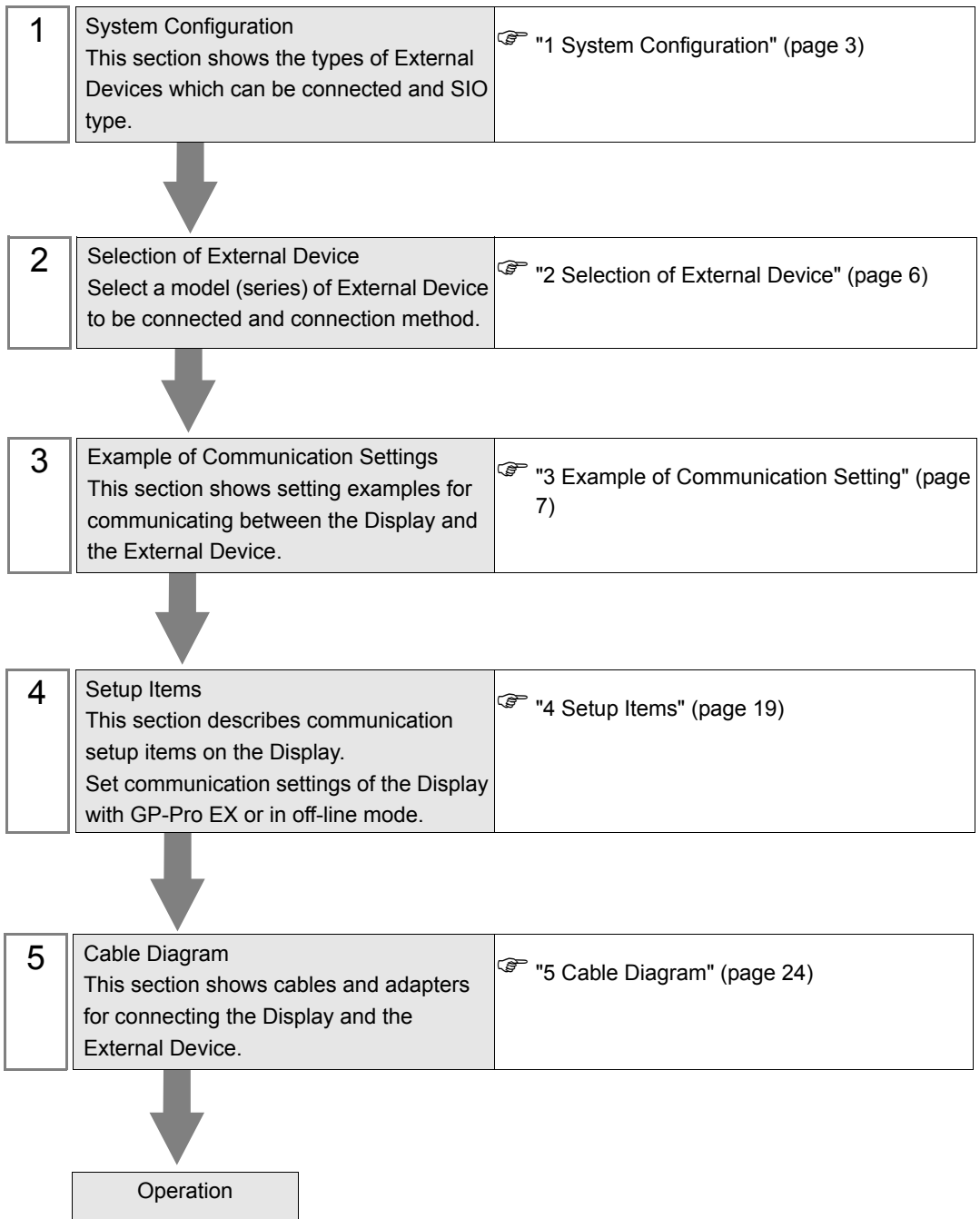
SIMATIC S7 3964(R)/ RK512 Driver

1	System Configuration.....	3
2	Selection of External Device	6
3	Example of Communication Setting.....	7
4	Setup Items.....	19
5	Cable Diagram	24
6	Supported Device.....	28
7	Device Code and Address Code.....	29
8	Error Messages.....	30

Introduction

This manual describes how to connect the Display and the External Device (target PLC).

In this manual, the connection procedure will be described by following the below sections:



1 System Configuration

The system configuration in the case when the External Device of Siemens AG and the Display are connected is shown.

Series	CPU Module	Link I/F	SIO Type	Setting Example	Cable Diagram
SIMATIC S7-300 Series	CPU312IFM CPU313 CPU314	CP341 (RS232C)	RS232C	Setting Example 1 (page 7)	Cable Diagram 1 (page 24)
	CPU314IFM CPU315 CPU315-2 DP CPU316 CPU316-2 DP CPU318-2	CP341 (RS422/ 485)	RS422/485 (4wire)	Setting Example 2 (page 10)	Cable Diagram 2 (page 26)
SIMATIC S7-400 Series	CPU412-1 CPU412-2 DP CPU413-1 CPU413-2 DP CPU414-1 CPU414-2 DP CPU414-3 DP CPU416-1 CPU416-2 DP CPU416-3 DP CPU417-4	CP441-2 + IF963-RS232	RS232C	Setting Example 3 (page 13)	Cable Diagram 1 (page 24)
		CP441-2 + IF963-X27	RS422/485 (4wire)	Setting Example 4 (page 16)	Cable Diagram 2 (page 26)

■ IPC COM Port

When connecting IPC with an External Device, the COM port used depends on the series and SIO type. Please refer to the IPC manual for details.

Usable port

Series	Usable Port		
	RS-232C	RS-422/485(4 wire)	RS-422/485(2 wire)
PS-2000B	COM1 ^{*1} , COM2, COM3 ^{*1} , COM4	-	-
PS-3450A, PS-3451A, PS3000-BA, PS3001-BD	COM1, COM2 ^{*1*2}	COM2 ^{*1*2}	COM2 ^{*1*2}
PS-3650A, PS-3651A	COM1 ^{*1}	-	-
PS-3700A (Pentium®4-M) PS-3710A	COM1 ^{*1} , COM2 ^{*1} , COM3 ^{*2} , COM4	COM3 ^{*2}	COM3 ^{*2}
PS-3711A	COM1 ^{*1} , COM2 ^{*2}	COM2 ^{*2}	COM2 ^{*2}
PL-3000B, PL-3600T, PL-3600K, PL-3700T, PL-3700K, PL-3900T	COM1 ^{*1*2} , COM2 ^{*1} , COM3, COM4	COM1 ^{*1*2}	COM1 ^{*1*2}

*1 The RI/5V can be switched. Use the IPC's switch to change if necessary.

*2 Set up the SIO type with the DIP switch. Please set up as follows according to SIO type to be used.

DIP switch setting: RS-232C

DIP switch	Setting	Description
1	OFF ^{*1}	Reserved (always OFF)
2	OFF	SIO type: RS-232C
3	OFF	
4	OFF	Output mode of SD (TXD) data: Always output
5	OFF	Terminal resistance (220Ω) insertion to SD (TXD): None
6	OFF	Terminal resistance (220Ω) insertion to RD (RXD): None
7	OFF	Short-circuit of SDA (TXA) and RDA (RXA): Not available
8	OFF	Short-circuit of SDB (TXB) and RDB (RXB): Not available
9	OFF	RS (RTS) Auto control mode: Disabled
10	OFF	

*1 When using PS-3450A, PS-3451A, PS3000-BA and PS3001-BD, turn ON the set value.

DIP switch setting: RS-422/485 (4 wire)

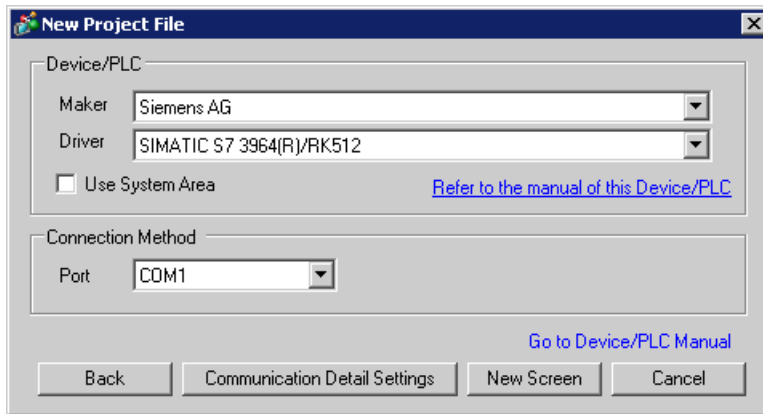
DIP switch	Setting	Description
1	OFF	Reserved (always OFF)
2	ON	SIO type: RS-422/485
3	ON	
4	OFF	Output mode of SD (TXD) data: Always output
5	OFF	Terminal resistance (220Ω) insertion to SD (TXD): None
6	OFF	Terminal resistance (220Ω) insertion to RD (RXD): None
7	OFF	Short-circuit of SDA (TXA) and RDA (RXA): Not available
8	OFF	Short-circuit of SDB (TXB) and RDB (RXB): Not available
9	OFF	RS (RTS) Auto control mode: Disabled
10	OFF	

DIP switch setting: RS-422/485 (2 wire)

DIP switch	Setting	Description
1	OFF	Reserved (always OFF)
2	ON	SIO type: RS-422/485
3	ON	
4	OFF	Output mode of SD (TXD) data: Always output
5	OFF	Terminal resistance (220Ω) insertion to SD (TXD): None
6	OFF	Terminal resistance (220Ω) insertion to RD (RXD): None
7	ON	Short-circuit of SDA (TXA) and RDA (RXA): Available
8	ON	Short-circuit of SDB (TXB) and RDB (RXB): Available
9	ON	RS (RTS) Auto control mode: Enabled
10	ON	

2 Selection of External Device

Select the External Device to be connected to the Display.



Setup Items	Setup Description
Maker	Select the maker of the External Device to be connected. Select "Siemens AG".
Driver	Select a model (series) of the External Device to be connected and connection method. Select "SIMATIC S7 3964(R)/RK512". Check the External Device which can be connected in "SIMATIC S7 3964(R)/RK512" in system configuration. ☞ "1 System Configuration" (page 3)
Use System Area	Check this option when you synchronize the system data area of the Display and the device (memory) of the External Device. When synchronized, you can use the ladder program of the External Device to switch the display or display the window on the Display. Cf. GP-Pro EX Reference Manual "Appendix 1.4 LS Area (Direct Access Method)" This can be also set with GP-Pro EX or in off-line mode of Display. Cf. GP-Pro EX Reference Manual "5.17.6 [System Settings] Setting Guide, [Display Unit] Settings Guide, System Area Settings" Cf. Maintenance/Troubleshooting Manual "2.15.1 Settings common to all Display models, [Main Unit Settings] Settings Guide, System Area Settings"
Port	Select the Display port to be connected to the External Device.

3 Example of Communication Setting

Examples of communication settings of the Display and the External Device, recommended by Pro-face, are shown.


3.1 Setting Example 1


■ Setting of GP-Pro EX

◆ Communication Settings

To display the setting screen, select [Device/PLC Settings] from [System setting window] in workspace.

◆ Device Setting

To display the setting screen, click  ([Setting]) of External Device you want to set from [Device-Specific Settings] of [Device/PLC Settings].

When [Allowable No. of Device/PLCs] is multiple, you can click  from [Device-Specific Settings] of [Device/PLC Settings] to add External Device which is available to set.

■ Settings of External Device

- (1) Startup "SIMATIC Manager" and create the new project. Set the optional project name and click [OK]. New project is created.
- (2) From the menu bar, select [Insert], [Station], [Name of CPU type to use] (ex: [1 SIMATIC 400 Station]) in this order.
- (3) [(Name of CPU type to use)] (ex: [SIMATIC 400 (1)]) is created in the project. Double-click [Hardware] of the name of CPU type to use.
- (4) When the [HW Config] screen displayed, open [(Name of CPU type to use)], [(RACK type to use)] (ex: [SIMATIC 400], [RACK-400]) in this order from the left tree and select the base unit of the using model.
- (5) Drag & drop the selected base unit to the upper right window. The rack figure is created in the window.
- (6) Drag & drop the using power unit in the rack.
- (7) Similarly, drag & drop the using CPU unit.
- (8) When using CPUxxx-xDP, the [Properties - PROFIBUS interface DP] dialog box is displayed. In that case, click [Cancel] and close the dialog box.
- (9) Similarly, drag & drop the using link unit.
- (10) Double-click the CPU unit dropped in the rack.
- (11) When the [MPI port] setting dialog box is displayed, click [Properties].
- (12) Click [Properties] as "MPI(1) 187.5 Kbps" is selected as default. The value entered in [Address] this time becomes the Destination Node No. (PLC Address) you set in GP-Pro EX. The default is "2".
- (13) To change the speed [Transmission rate] and the highest value of the node No. [Highest MPI address], click the [Network Settings] tab.
Select [187.5Kbps] for [Transmission rate]. To change the highest value of the node No. (Highest MPI address), check [Change] to allow you to select from the list.
- (14) When you finish setting, click [OK] and close the dialog box.
- (15) Close other dialog boxes similarly.

(16) Select [(Name of CPU type to use)] in the project, and open [Blocks] in the program, then double-click [OB1].

(17) Here, you need to arrange the ladder program. Sample ladder program is shown below.

```

CALL "P_RCV_RK" , DB7
EN_R   :=TRUE
R      :=FALSE
LADDR :=256
DB_NO  :=
DBB_NO :=
L_TYP  :=
L_NO   :=
L_OFFSET:=
L_CF_BYT:=
L_CF_BIT:=
MDR    :=
ERROR  :=
LEN    :=
STATUS :=

```

(18) Next, double-click [Hardware] in the CPU.

(19) Double-click the link unit as the link unit to use is already registered by the previous operation.

(20) To enable the communication between the External Device and the Display, click the [Parameter] button.

(21) The Parameter window is displayed. Select [RK512] from the [Protocol] list box and double-click the [Protocol] image in the window.

(22) When the [Protocol] dialog box is displayed, set in the [RK 512] tab as below.

Setup Items	Setup Description
With Block Check	Check
Use Default Values	Check
Transmission Rate	9600 bps
Stop Bits	1
Parity	Even
Priority	Low

(23) When you finish setting, click [OK] and close the dialog box.

3.2 Setting Example 2

■ Setting of GP-Pro EX

◆ Communication Settings

To display the setting screen, select [Device/PLC Settings] from [System setting window] in workspace.

◆ Device Setting

To display the setting screen, click ([Setting]) of External Device you want to set from [Device-Specific Settings] of [Device/PLC Settings].

When [Allowable No. of Device/PLCs] is multiple, you can click from [Device-Specific Settings] of [Device/PLC Settings] to add External Device which is available to set.

■ Settings of External Device

- (1) Startup "SIMATIC Manager" and create the new project. Set the optional project name and click [OK]. New project is created.
- (2) From the menu bar, select [Insert], [Station], [(Name of CPU type to use)] in this order.
- (3) [(Name of CPU type to use)] is created in the project. Double-click [Hardware] of the name of CPU type to use.
- (4) When the [HW Config] screen displayed, open [(Name of CPU type to use)], [(RACK type to use)] in this order from the left tree and select the base unit of the using model.
- (5) Drag & drop the selected base unit to the upper right window. The rack figure is created in the window.
- (6) Drag & drop the using power unit in the rack.
- (7) Similarly, drag & drop the using CPU unit.
- (8) When using CPUxxx-xDP, the [Properties - PROFIBUS interface DP] dialog box is displayed. In that case, click [Cancel] and close the dialog box.
- (9) Similarly, drag & drop the using link unit.
- (10) Double-click the CPU unit dropped in the rack.
- (11) When the [MPI port] setting dialog box is displayed, click [Properties].
- (12) Click [Properties] as "MPI(1) 187.5 Kbps" is selected as default. The value entered in [Address] this time becomes the Destination Node No. (PLC Address) you set in GP-Pro EX. The default is "2".
- (13) To change the speed [Transmission rate] and the highest value of the node No. [Highest MPI address], click the [Network Settings] tab.
Select [187.5Kbps] for [Transmission rate]. To change the highest value of the node No. (Highest MPI address), check [Change] to allow you to select from the list.
- (14) When you finish setting, click [OK] and close the dialog box.
- (15) Close other dialog boxes similarly.

(16) Select [(Name of CPU type to use)] in the project, and open [Blocks] in the program, then double-click [OB1].

(17) Here, you need to arrange the ladder program. Sample ladder program is shown below.

```

CALL "P_RCV_RK" , DB7
EN_R   :=TRUE
R      :=FALSE
LADDR :=256
DB_NO  :=
DDB_NO :=
L_TYP  :=
L_NO   :=
L_OFFSET:=
L_CF_BYT:=
L_CF_BIT:=
MDR    :=
ERROR  :=
LEN    :=
STATUS :=

```

(18) Next, double-click [Hardware] in the CPU.

(19) Double-click the link unit as the link unit to use is already registered by the previous operation.

(20) To enable the communication between the External Device and the Display, click the [Parameter] button.

(21) The Parameter window is displayed. Select [RK512] from the [Protocol] list box and double-click the [Protocol] image in the window.

(22) When the [Protocol] dialog box is displayed, set in the [RK 512] tab as below.

Setup Items	Setup Description
With Block Check	Check
Use Default Values	Check
Transmission Rate	9600 bps
Stop Bits	1
Parity	Even
Priority	Low

(23) When connecting CP341/CP441 with RS422/485, double-click the [Interface] tab and select [None] in [Initial State of the Receive Line].

(24) When you finish setting, click [OK] and close the dialog box.

3.3 Setting Example 3

■ Setting of GP-Pro EX

◆ Communication Settings

To display the setting screen, select [Device/PLC Settings] from [System setting window] in workspace.

◆ Device Setting

To display the setting screen, click ([Setting]) of External Device you want to set from [Device-Specific Settings] of [Device/PLC Settings].

When [Allowable No. of Device/PLCs] is multiple, you can click from [Device-Specific Settings] of [Device/PLC Settings] to add External Device which is available to set.

■ Settings of External Device

Use the ladder software (SIMATIC Manager STEP 7 S7/M7/C7) for communication settings of the External Device.

Refer to your External Device manual for details.

- (1) Start up the ladder software and create a new project.
- (2) Set the hardware. Double-click [Hardware] from the [(Name of CPU type to use)] of the created project tree view to display the [HW Config] window.
- (3) Register the unit to be used.
- (4) Double-click the Point-to-Point module to be used in the rack to display [Properties] dialog box.
- (5) Select the slot number to be used from the [Interface] of the [Basic Parameters] tab.
- (6) In the same way, select a module to be used from the [Module].
- (7) Click the [Parameter] to display the [Assigning Parameters to Point-To-Point Connections] window.
- (8) Select [RK512] from the [Protocol].
- (9) Double-click the mail icon to display [Protocol] dialog box.
- (10) Set the setting items with [RK512] tab as follows.

Setup Items	Setup Description
With Block Check	Check
Use Default Values	Check
Transmission Rate	9600 bps
Stop Bits	1
Parity	Even
Priority	Low

- (11) Click [OK].
- (12) Save the setting and close the window.
- (13) Connect the module to be used for Point-to-Point network with the [General] tab.
- (14) Close the [HW Config] window.
- (15) Set a block. Select [Open] from the [File] menu to display the [Open Project] dialog box.
- (16) Select "zXX21_03_PtP_Com_CP441" from the [Sample projects] tab.
- (17) Click [OK].
- (18) Select "CP441 RK512 Send/Recv" from the sample project tree view.
- (19) Overwrite "S7 Program (1)" of created project with [Symbols] of "CP441 RK512 Send/Recv".
- (20) In the same way, overwrite [Blocks] of the project created except for [System Data] from the [Blocks].

- (21) Double-click [OB1] from the [Blocks] of created project tree view to display the [LAD/STL/FBD] window.
- (22) Delete the line of "UC"SEND"//Call of FC for execution BSEND-Jobs" of Network 1.
- (23) Save the setting and close the window.
- (24) Set Network Configuration. Select [(CPU name in use)] from the created project.
- (25) Double-click [Connections] in the project window to start up NetPro.
- (26) Right-click the CPU to be used from the created project on NetPro.
- (27) Select [Insert New Connection] to display the [Insert New Connection] dialog box.
- (28) Select [Unspecified] from the created project of [Connection Partner] tree view.
- (29) Select [Point-to-point connection] from the [Type] of [Connection].
- (30) Click [OK] to display the [Properties -PtP connection] dialog box.
- (31) Click [OK].
- (32) Confirm that Point-to-Point connection is displayed in the [Local ID] as "1000".
- (33) Select [Exit] from the [Network] menu to close the window.
- (34) Download the hardware setting and Blocks setting to the Extended Device.
- (35) Download the network configuration setting to the Extended Device.

3.4 Setting Example 4

■ Setting of GP-Pro EX

◆ Communication Settings

To display the setting screen, select [Device/PLC Settings] from [System setting window] in workspace.

◆ Device Setting

To display the setting screen, click ([Setting]) of External Device you want to set from [Device-Specific Settings] of [Device/PLC Settings].

When [Allowable No. of Device/PLCs] is multiple, you can click from [Device-Specific Settings] of [Device/PLC Settings] to add External Device which is available to set.

■ Settings of External Device

Use the ladder software (SIMATIC Manager STEP 7 S7/M7/C7) for communication settings of the External Device.

Refer to your External Device manual for details.

- (1) Start up the ladder software and create a new project.
- (2) Set the hardware. Double-click [Hardware] from the [(Name of CPU type to use)] of the created project tree view to display the [HW Config] window.
- (3) Register the unit to be used.
- (4) Double-click the Point-to-Point module to be used in the rack to display [Properties] dialog box.
- (5) Select the slot number to be used from the [Interface] of the [Basic Parameters] tab.
- (6) In the same way, select a module to be used from the [Module].
- (7) Click the [Parameter] to display the [Assigning Parameters to Point-To-Point Connections] window.
- (8) Select [RK512] from the [Protocol].
- (9) Double-click the mail icon to display [Protocol] dialog box.
- (10) Set the setting items with [RK512] tab as follows.

Setup Items	Setup Description
With Block Check	Check
Use Default Values	Check
Transmission Rate	9600 bps
Stop Bits	1
Parity	Even
Priority	Low


- (11) Click [OK].
- (12) Save the setting and close the window.
- (13) Connect the module to be used for Point-to-Point network with the [General] tab.
- (14) Close the [HW Config] window.
- (15) Set a block. Select [Open] from the [File] menu to display the [Open Project] dialog box.
- (16) Select "zXX21_03_PtP_Com_CP441" from the [Sample projects] tab.
- (17) Click [OK].
- (18) Select "CP441 RK512 Send/Recv" from the sample project tree view.
- (19) Overwrite "S7 Program (1)" of created project with [Symbols] of "CP441 RK512 Send/Recv".
- (20) In the same way, overwrite [Blocks] of the project created except for [System Data] from the [Blocks].

- (21) Double-click [OB1] from the [Blocks] of created project tree view to display the [LAD/STL/FBD] window.
- (22) Delete the line of "UC"SEND"//Call of FC for execution BSEND-Jobs" of Network 1.
- (23) Save the setting and close the window.
- (24) Set Network Configuration. Select [(CPU name in use)] from the created project.
- (25) Double-click [Connections] in the project window to start up NetPro.
- (26) Right-click the CPU to be used from the created project on NetPro.
- (27) Select [Insert New Connection] to display the [Insert New Connection] dialog box.
- (28) Select [Unspecified] from the created project of [Connection Partner] tree view.
- (29) Select [Point-to-point connection] from the [Type] of [Connection].
- (30) Click [OK] to display the [Properties -PtP connection] dialog box.
- (31) Click [OK].
- (32) Confirm that Point-to-Point connection is displayed in the [Local ID] as "1000".
- (33) Select [Exit] from the [Network] menu to close the window.
- (34) Download the hardware setting and Blocks setting to the Extended Device.
- (35) Download the network configuration setting to the Extended Device.

4 Setup Items

Set communication settings of the Display with GP-Pro EX or in off-line mode of the Display.

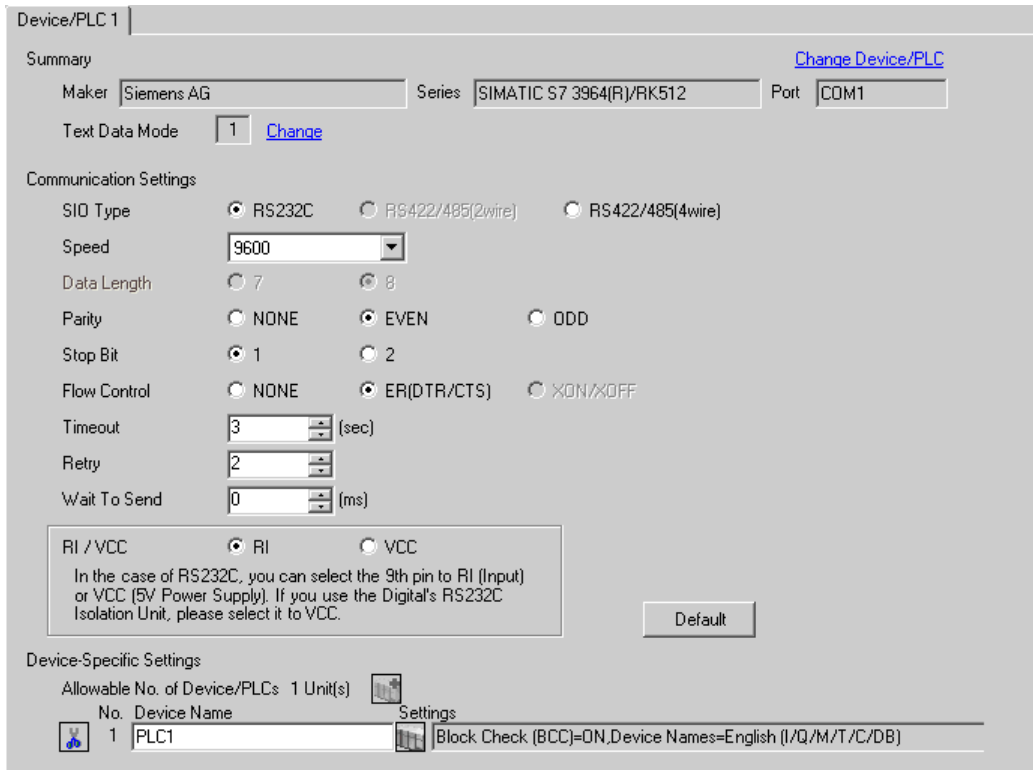
The setting of each parameter must be identical to that of External Device.

 "3 Example of Communication Setting" (page 7)

4.1 Setup Items in GP-Pro EX

■ Communication Settings

To display the setting screen, select [Device/PLC Settings] from [System setting window] in workspace.



Device/PLC 1

Summary [Change Device/PLC](#)

Maker Series Port

Text Data Mode [Change](#)

Communication Settings

SIO Type RS232C RS422/485(2wire) RS422/485(4wire)

Speed

Data Length 7 8

Parity NONE EVEN ODD

Stop Bit 1 2

Flow Control NONE ER(DTR/CTS) XON/XOFF

Timeout (sec)

Retry


Wait To Send (ms)

RI / VCC RI VCC

In the case of RS232C, you can select the 9th pin to RI (Input) or VCC (5V Power Supply). If you use the Digital's RS232C Isolation Unit, please select it to VCC.

[Default](#)

Device-Specific Settings


Allowable No. of Device/PLCs 1 Unit(s) 


No.	Device Name	Settings
1	PLC1	Block Check (BCC)=ON, Device Names=English (I/Q/M/T/C/DB)

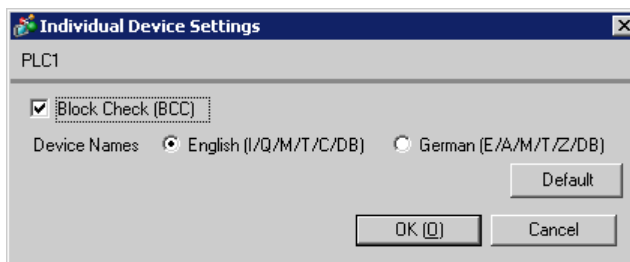
Setup Items	Setup Description
SIO Type	Select the SIO type to communicate with the External Device.
Speed	Select speed between the External Device and the Display.
Data Length	Select data length.
Parity	Select how to check parity.
Stop Bit	Select stop bit length.
Flow Control	Select the communication control method to prevent overflow of transmission and reception data.
Timeout	Use an integer from 1 to 127 to enter the time (s) for which the Display waits for the response from the External Device.
Retry	In case of no response from the External Device, use an integer from 0 to 255 to enter how many times the Display retransmits the command.

Setup Items	Setup Description
Wait To Send	Use an integer from 0 to 255 to enter standby time (ms) for the Display from receiving packets to transmitting next commands.
RI/VCC	Switch the 9th pin setting when you select RS232C for SIO type. It is necessary to change RI/5V by changeover switch of IPC when connect with IPC. Please refer to the manual of the IPC for more detail.

■ Device Setting

To display the setting screen, click  ([Setting]) of the External Device you want to set from [Device-Specific Settings] of [Device/PLC Settings].

When [Allowable No. of Device/PLCs] is multiple, you can click  from [Device-Specific Settings] of [Device/PLC Settings] to add the External Device which is available to set.



Setup Items	Setup Description
Block Check (BCC)	Check to enable the check sum.
Device Names	Select whether the device name is described in English (I/Q/M/T/C/DB) or German (E/A/M/T/Z/DB).

4.2 Setup Items in Off-Line Mode

NOTE

- Refer to the Maintenance/Troubleshooting manual for information on how to enter off-line mode or about the operation.

Cf. Maintenance/Troubleshooting Manual "2.2 Off-line Mode"

- The number of the setup items to be displayed for 1 page in the off-line mode depends on the Display in use. Please refer to the Reference manual for details.

■ Communication Settings

To display the setting screen, touch [Device/PLC Settings] from [Peripheral Settings] in the off-line mode. Touch the External Device you want to set from the displayed list, and touch [Communication Settings].

Comm.	Device	Option		
SIMATIC S7 3964(R)/RK512		[COM1]		Page 1/1
SIO Type		RS232C		
Speed		9600		
Data Length		8		
Parity		<input type="radio"/> NONE <input checked="" type="radio"/> EVEN <input type="radio"/> ODD		
Stop Bit		<input checked="" type="radio"/> 1 <input type="radio"/> 2		
Flow Control		ER(DTR/CTS)		
Timeout(s)		3	▼ ▲	
Retry		2	▼ ▲	
Wait To Send(ms)		0	▼ ▲	
	Exit		Back	2005/09/02 13:03:26

Setup Items	Setup Description
SIO Type	Select the SIO type to communicate with the External Device. IMPORTANT To make the communication settings correctly, confirm the serial interface specifications of Display unit for [SIO Type]. We cannot guarantee the operation if a communication type that the serial interface does not support is specified. For details concerning the serial interface specifications, refer to the manual for Display unit.
Speed	Select speed between the External Device and the Display.
Data Length	Select data length.
Parity	Select how to check parity.
Stop Bit	Select stop bit length.
Flow Control	Select the communication control method to prevent overflow of transmission and reception data.
Timeout	Use an integer from 1 to 127 to enter the time (s) for which the Display waits for the response from the External Device.

Setup Items	Setup Description
Retry	In case of no response from the External Device, use an integer from 0 to 255 to enter how many times the Display retransmits the command.
Wait To Send	Use an integer from 0 to 255 to enter standby time (ms) for the Display from receiving packets to transmitting next commands.

■ Device Setting

To display the setting screen, touch [Device/PLC Settings] from [Peripheral Settings]. Touch the External Device you want to set from the displayed list, and touch [Device Settings].

Comm.	Device	Option		
SIMATIC S7 3964(R)/RK512		[COM1]	Page 1/1	
Device/PLC Name		[PLC1] ▼		
Block Check (BCC)		[Enable] ▼		
Exit		Back		2005/09/02 13:03:28

Setup Items	Setup Description
Device/PLC Name	Select the External Device for device setting. Device name is a title of External Device set with GP-Pro EX.(Initial value [PLC1])
Block Check (BCC)	Select [Enable] to enable the check sum.

■ Option

To display the setting screen, touch [Device/PLC Settings] from [Peripheral Settings]. Touch the External Device you want to set from the displayed list, and touch [Option].

Comm.	Device	Option		
SIMATIC S7 3964(R)/RK512		[COM1]	Page 1/1	
RI / VCC <input checked="" type="radio"/> RI <input type="radio"/> VCC In the case of RS232C, you can select the 9th pin to RI(Input) or VCC(5V Power Supply). If you use the Digital's RS232C Isolation Unit, please select it to VCC.				
		Exit	Back	2005/09/02 13:03:31

Setup Items	Setup Description
RI/VCC	You can switch RI/VCC of the 9th pin when you select RS232C for SIO type. It is necessary to change RI/5V by changeover switch of IPC when connect with IPC. Please refer to the manual of the IPC for more detail.

NOTE

- GP-4100 series do not have the [Option] setting in the off-line mode.

5 Cable Diagram

The cable diagram shown below may be different from the cable diagram recommended by Siemens AG. Please be assured there is no operational problem in applying the cable diagram shown in this manual.

- The FG pin of the main body of the External Device must be D-class grounded. Please refer to the manual of the External Device for more details.
- SG and FG are connected inside the Display. When connecting SG to the External Device, design the system not to form short-circuit loop.
- Connect the isolation unit, when communication is not stabilized under the influence of a noise etc..

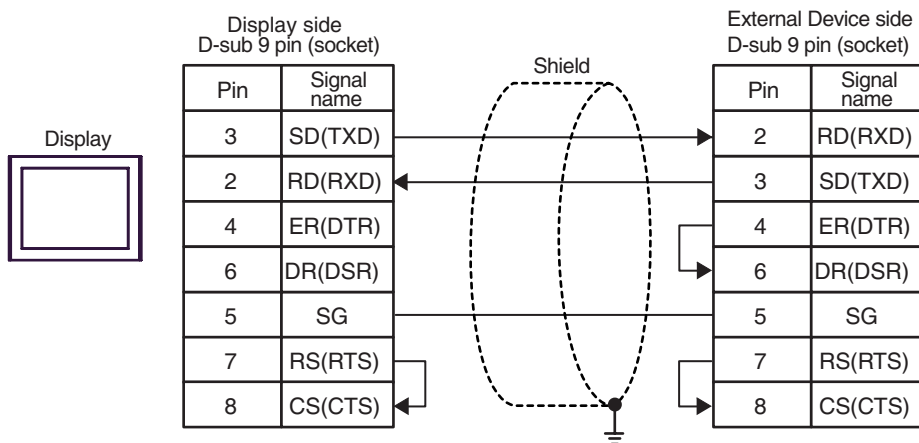
Cable Diagram 1

Display (Connection Port)	Cable		Remarks
GP3000 (COM1) ST (COM1) IPC*1 PC/AT	1A	User-created cable	The cable length must be 15m or less.
GP-4105 (COM1)	1B	User-created cable	

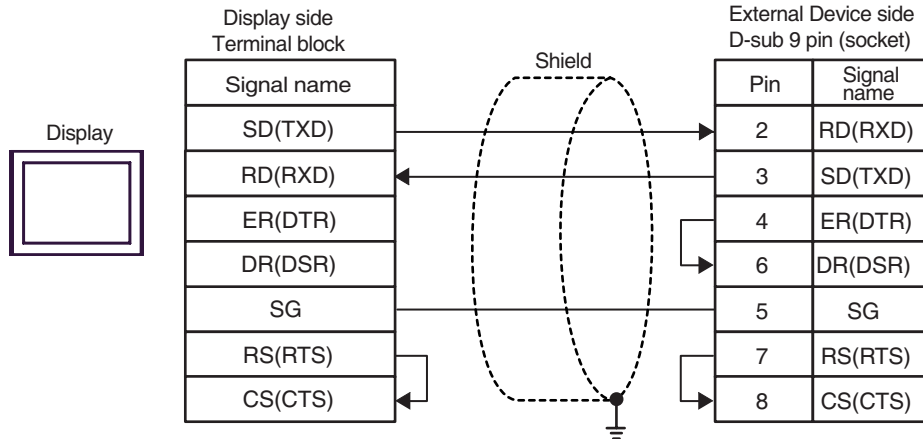
*1 Only the COM port which can communicate by RS-232C can be used.

☞ ■ IPC COM Port (page 4)

1A)



1B)



Cable Diagram 2

Display (Connection Port)	Cable		Remarks
GP3000* ¹ (COM1) AGP-3302B (COM2) ST* ² (COM2) IPC* ³	2A	User-created cable	Arrange the cable length as below according to the speed. 19200 or less: 1000m or less 38400 : 500m or less 115200 : 200m or less
GP3000* ⁴ (COM2)	2B	Online adapter by Pro-face CA4-ADPONL-01 + User-created cable	
GP-4106 (COM1)	2C	User-created cable	

*1 All GP3000 models except AGP-3302B

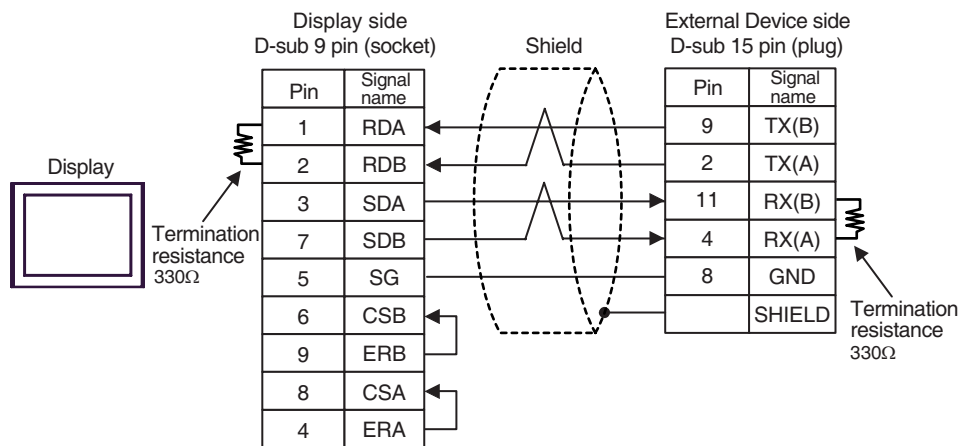
*2 All ST models except AST-3211A and AST-3302B

*3 Only the COM port which can communicate by RS-422/485 (4 wire) can be used.

☞ ■ IPC COM Port (page 4)

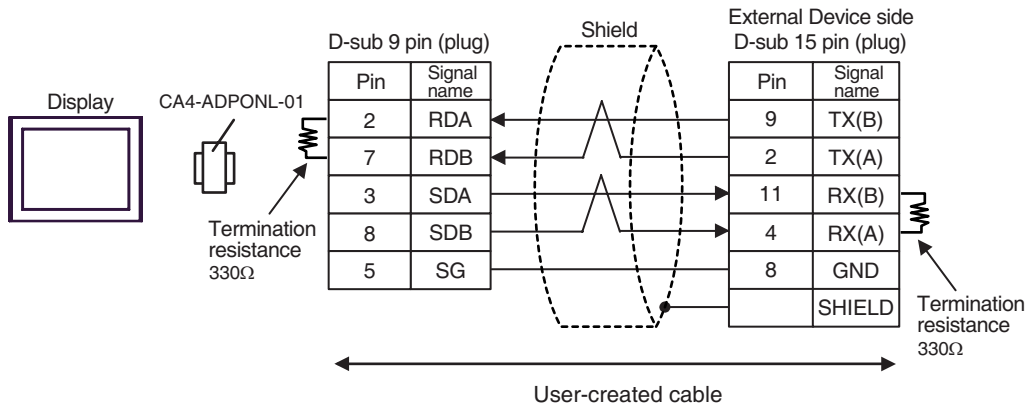
*4 All GP3000 models except GP-3200 series and AGP-3302B

2A)



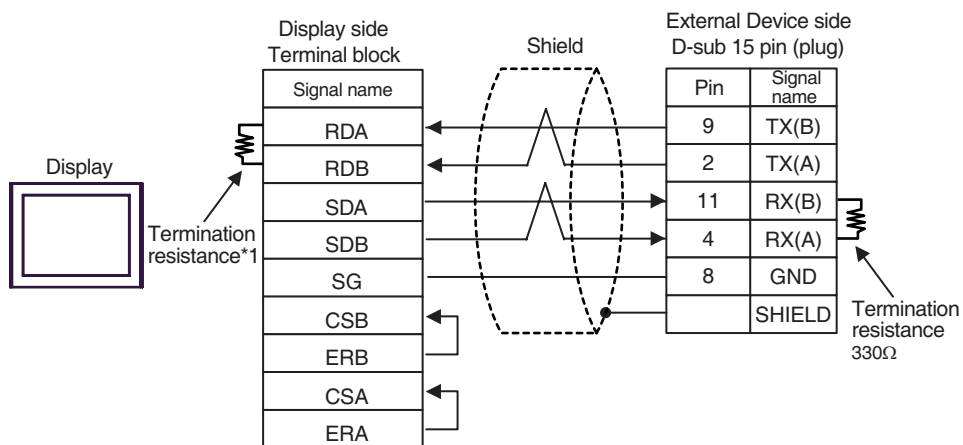
NOTE • We recommend that the termination resistance should be attached when using the cable in 50m or more length.

2B)



NOTE • We recommend that the termination resistance should be attached when using the cable in 50m or more length.

2C)




NOTE • We recommend that the termination resistance should be attached when using the cable in 50m or more length.

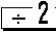
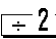
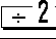
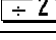
*1 The resistance in the Display is used as the termination resistance. Set the value of the DIP Switch on the rear of the Display as shown in the table below.

DIP Switch No.	Set Value
1	OFF
2	OFF
3	ON
4	OFF

6 Supported Device

Range of supported device address is shown in the table below. Please note that the actually supported range of the devices varies depending on the External Device to be used. Please check the actual range in the manual of your External Device.

 This address can be specified as system data area.

Device	Bit Address		Word Address		32 bits	Remarks
	English	German	English	German		
Data Block	DB001.DBX000.0 - DB255.DBX511.7		DB001.DBW000 - DB255.DBW510		[L / H]	 *1
Input	I000.0 - I127.7	E000.0-E127.7	IW000 - IW126	EW000-EW126		 *2
Output	Q000.0 - Q127.7	A000.0-A127.7	QW000 - QW126	AW000 - AW126		 *2
Internal Marker	M000.0 - M255.7		MW000 - MW254			 *2
Timer	-----		T000 - T255			*2
Counter	-----		C000 - C255	Z000 - Z255		*2

*1 When you write the bit address, the Display reads the word address corresponding to that of the External Device first. Change only the target bit address among the word data once read, and write the word data to the External Device.

Note that the correct data may not be written if you change the word address value in the ladder program while the Display reads the data of the External Device and writes it to the External Device.

*2 Write disable

NOTE

- Please refer to the GP-Pro EX Reference Manual for system data area.
Cf. GP-Pro EX Reference Manual "Appendix 1.4 LS Area (Direct Access Method)"
- Please refer to the precautions on manual notation for icons in the table.

 "Manual Symbols and Terminology"

7 Device Code and Address Code

Use device code and address code when you select "Device Type & Address" for the address type in data displays.

Device	Word Address		Device Code (HEX)	Address Code
	English	German		
Data Block	DB	DB	0000	(Data Block No. x 0x10000) + Value of (word address divided by 2)
Input	I	E	0080	Value of word address divided by 2
Output	Q	A	0081	Value of word address divided by 2
Internal Marker	M	M	0082	Value of word address divided by 2
Timer	T	T	0060	Word Address
Counter	C	Z	0061	Word Address

8 Error Messages

Error messages are displayed on the Display screen as follows: "No.: Device Name: Error Message (Error Occurrence Area)". Each description is shown below.

Item	Description
No.	Error No.
Device Name	Name of the External Device where error occurs. Device name is a title of the External Device set with GP-Pro EX. (Initial value [PLC1])
Error Message	Displays messages related to the error which occurs.
Error Occurrence Area	<p>Displays IP address or device address of the External Device where error occurs, or error codes received from the External Device.</p> <p>NOTE</p> <ul style="list-style-type: none"> • IP address is displayed such as "IP address(Decimal): MAC address(Hex)". • Device address is displayed such as "Address: Device address". • Received error codes are displayed such as "Decimal[Hex]".

Display Examples of Error Messages

"RHAA035: PLC1: Error has been responded for device write command (Error Code: 2 [02H])"

-
- NOTE**
- Refer to your External Device manual for details on received error codes.
 - Refer to "When an error is displayed (Error Code List)" in "Maintenance/Troubleshooting Manual" for details on the error messages common to the driver.
-