

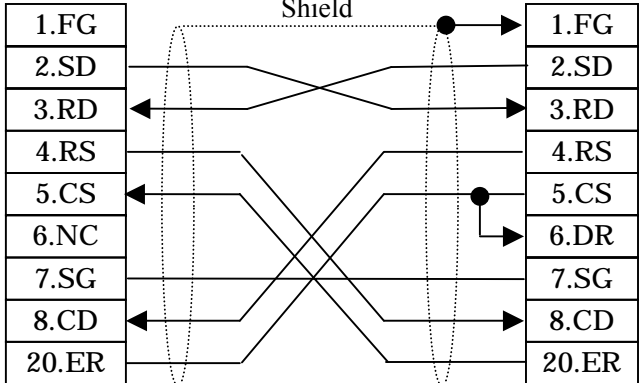


Mitsubishi <18> Mitsubishi Electric Corporation

FX Series + Expansion Board (CPU Direct Protocol) Connection

Connection Method

[Connecting to FX_{1N}-232-BD、 FX_{2N}-232-BD via Expansion Board]

Type	Connection Method	Distance
Using GP410-IS00-O	To GP  —————  To PLC GP410-IS00-O or F ₂ -232CAB by Mitsubishi Elec. Commercial D-sub 25pin↔D-sub 9pin Conversion Connector (Straight Type)	5m
Creating Cable * a part of GP410-IS00-O	To GP (25p Male) Shield Expansion Board 	Within 15m



Important * If a communication cable is used, it must be connected to the SG.

NOTE

The optional cable, GP410-IS00-O is 5m long. If you need a longer cable or shorter, please use a user-created cable to connect.

Recommended Products

Connector/Cover for GP	D-sub 25 pin Plug	XM2A-2501 <OMRON Co.>
	Cover for D-sub 25 pin	XM2S-2511 <OMRON Co.>
	Jack Screw	XM2Z-0071 <OMRON Co.>
Cable	CO-MA-VV-SB5P × 28AWG <Hitachi Cable Ltd.>	
Setscrew	Metric Coarse Screw Tread : M2.6 × 0.45	

[Connecting to FX_{2N}-422-BD via Expansion Board]

Connection Method		Distance
To GP	<p>GP430-IP11-O</p> <p>25pin ↔ Round pin Conversion Adapter FX-20P-CADP by Mitsubishi Elec.</p>	5m



A user-created cable cannot be used.
Please be sure to use GP430-IP11-O.