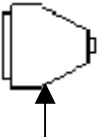
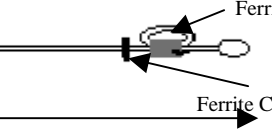
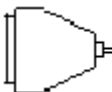
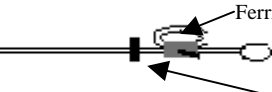


Mitsubishi <14> Mitsubishi Electric Corporation Q Series (Q01 / Q00 / Q00J) CPU Direct + Link Unit Connection

Connection Method

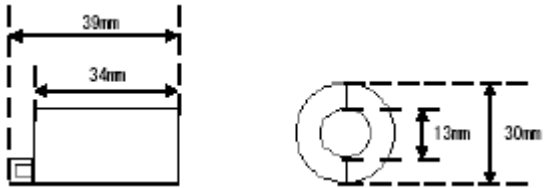
[1] Connecting Directly

Type	Connection Method	Distance
Using QC30R2 by Mitsubishi Electric Corporation *9-25pin Conversion Adapter is required.	<div style="display: flex; justify-content: space-between;"> <div style="text-align: center;"> <p>GP Unit 25 pin Male</p>  <p>Conversion Adapter</p> </div> <div style="text-align: center;"> <p>PLC Mini DIN 9 pin</p>  <p>Ferrite Core Ferrite Core Holder</p> </div> </div> <p style="text-align: center;">QC30R2 by Mitsubishi</p>	3m
Using DQCABR2 by Diatrend	<div style="display: flex; justify-content: space-between;"> <div style="text-align: center;"> <p>GP Unit 25 pin Male</p>  </div> <div style="text-align: center;"> <p>PLC Mini DIN 9 pin</p>  <p>Ferrite Core Ferrite Core Holder</p> </div> </div>	Range between 1.5 and 15m

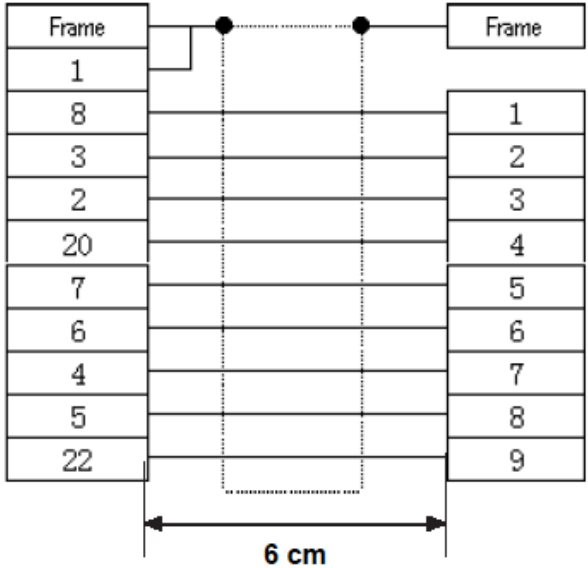
NOTE

- Attaching a Ferrite Core will reduce the amount of noise in your cable.
- Attach two Ferrite Cores to your cable, one at each end. Also, as shown in the drawing below, loop the cable once around the Ferrite Core.
- When using a data communication cable that is 3m (approx. 10 ft.) or longer, please use a cable made by Diatrend Corporation.

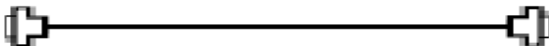
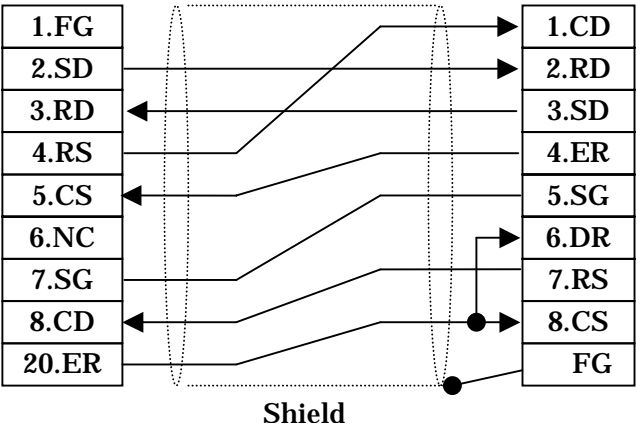
Recommended Products

Ferrite Core	E04SR301334 <Seiwa Electronics Corporation> 
9-25 Conversion Adapter	ZA-403 <Roas Co.>

[Creating a 9-25 pin Conversion Adapter]

Connector/Cover for GP	D-sub 25 pin Plug	XM2A-2501 <OMRON Co.>
	Cover for D-sub 25 pin	XM2S-2511 <OMRON Co.>
	Jack Screw	XM2Z-0071 <OMRON Co.>
Setscrew	Metric Coarse Screw Tread : M2.6 × 0.45	
Diagram	<p>D-sub 25 pin Male D-sub 9 pin Male</p> <p>Lock-screw (mm) Lock nut (inch)</p> 	

[2] RS-232C Connection

Type	Connection Method	Distance
Using GP000-IS02-MS		3m
Creating Cable	<p>GP Unit (25p Male) PLC (9p Male)</p>  <p style="text-align: center;">Shield</p>	Within 15 m



* If a communication cable is used, it must be connected to the SG.

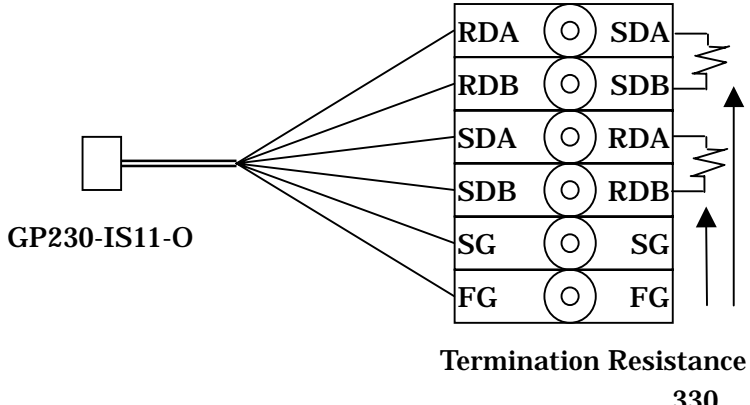
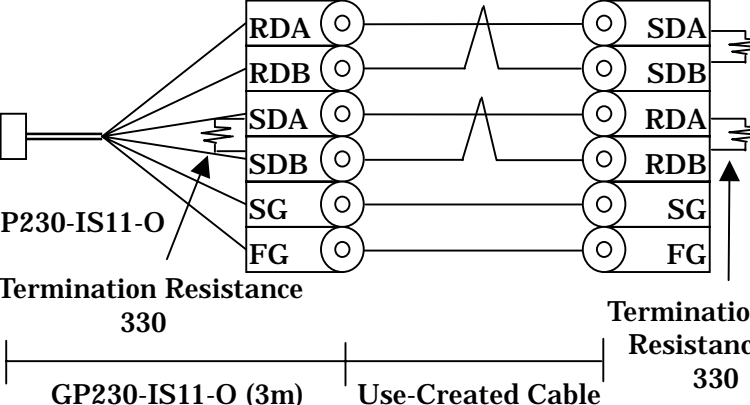
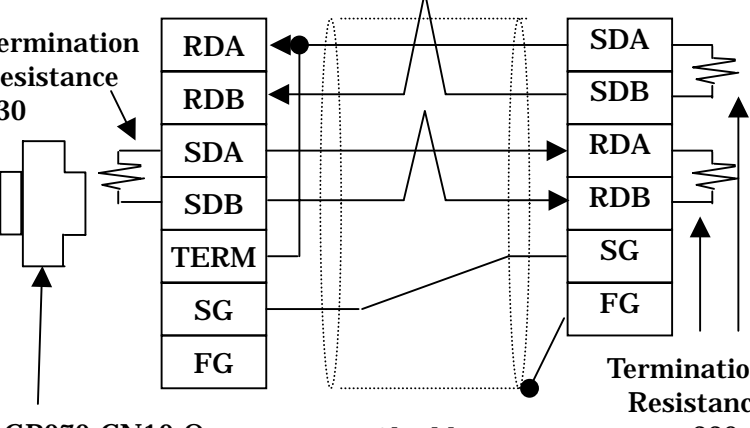


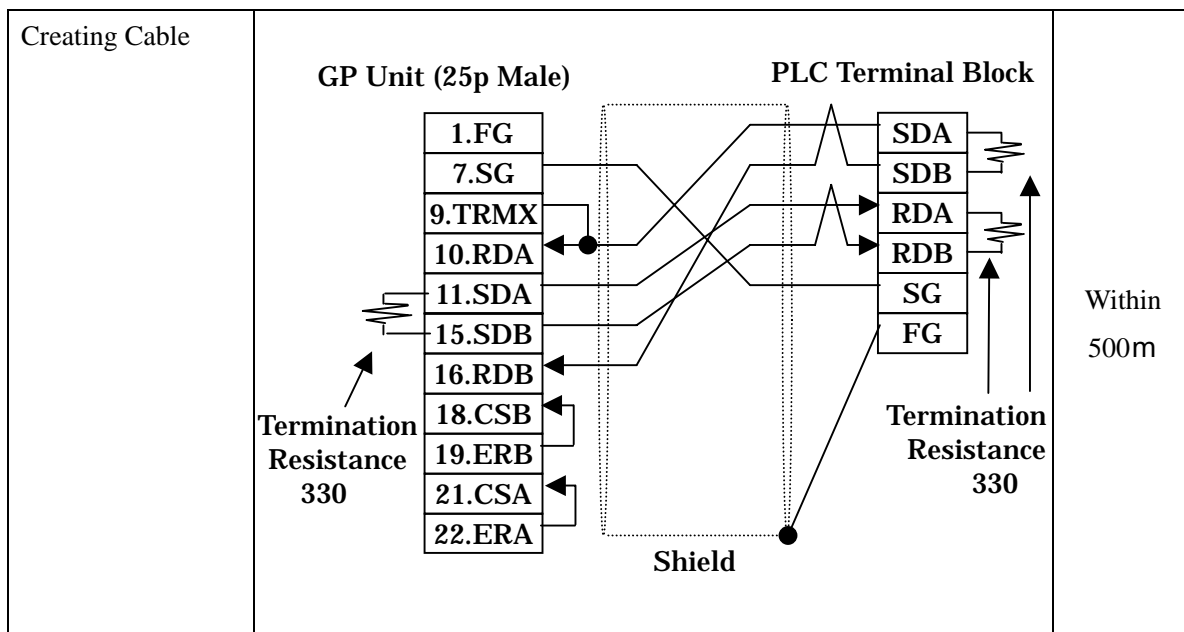
The optional cable, GP000-IS02-MS is 3m long. If you need a longer cable or shorter, please use a User-Created cable to connect.

Recommended Products

Connector/Cover for GP	D-sub 25 pin Plug	XM2A-2501 <OMRON Co.>
	Cover for D-sub 25 pin	XM2S-2511 <OMRON Co.>
	Jack Screw	XM2Z-0071 <OMRON Co.>
Cable	CO-MA-VV-SB5P × 28AWG <Hitachi Cable Ltd.>	
Setscrew	Metric Coarse Screw Tread : M2.6 × 0.45	

[3] RS-422 Connection

Type	Connection Method	Distance
Using GP230-IS11-O	<p>GP Unit (25p Male) PLC Terminal Block</p>  <p>GP230-IS11-O</p> <p>Termination Resistance 330</p>	5m
Extending GP230-IS11-O	<p>GP Unit (25p Male) PLC Terminal Block with 6 contacts</p> <p>Cable with 6 wires</p>  <p>GP230-IS11-O</p> <p>Termination Resistance 330</p> <p>GP230-IS11-O (3m) Use-Created Cable</p> <p>Termination Resistance 330</p>	5 - 500m
Using GP070-CN10-O	<p>Conversion Adapter PLC Terminal Block</p>  <p>Termination Resistance 330</p> <p>GP070-CN10-O</p> <p>Shield</p> <p>Termination Resistance 330</p>	Within 500m



* If a communication cable is used, it must be connected to the SG.

* Termination Resistance

PLC / between SDA and SDB, between RDA and RDB : 330
(with wattage specified on PLC)

GP Unit / as required (Refer to Cable Diagrams) : 330
(with wattage specified on PLC)

Recommended Products

Connector/Cover for GP	D-sub 25 pin Plug	XM2A-2501 <OMRON Co.>
	Cover for D-sub 25 pin	XM2S-2511 <OMRON Co.>
	Jack Screw	XM2Z-0071 <OMRON Co.>
Cable	SPEV (SB) -MPC-0.2*3P <Mitsubishi Cable Ind.>	
Setscrew	Metric Coarse Screw Tread : M2.6 × 0.45	