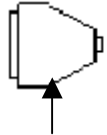
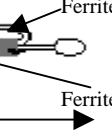
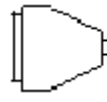
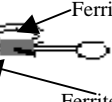


Mitsubishi <12> Mitsubishi Electric Corporation

Q Series (A Mode) CPU Direct Connection

Connection Method

Type	Connection Method	Distance
Using QC30R2 by Mitsubishi Electric Corporation *9-25pin Conversion Adapter is required.	<div style="display: flex; justify-content: space-between;"> <div style="text-align: center;"> <p>GP Unit 25 pin Male</p>  <p>Conversion Adapter</p> </div> <div style="text-align: center;"> <p>PLC Mini DIN 9 pin</p>  <p>Ferrite Core Ferrite Core Holder</p> </div> </div> <p style="text-align: center;">← QC30R2 by Mitsubishi →</p>	3m
Using DQCABR2 by Diatrend	<div style="display: flex; justify-content: space-between;"> <div style="text-align: center;"> <p>GP Unit 25 pin Male</p>  </div> <div style="text-align: center;"> <p>PLC Mini DIN 9 pin</p>  <p>Ferrite Core Ferrite Core Holder</p> </div> </div>	Range between 1.5 and 15m

NOTE

- Attaching a Ferrite Core will reduce the amount of noise in your cable.
- Attach two Ferrite Cores to your cable, one at each end. Also, as shown in the drawing below, loop the cable once around the Ferrite Core.
- When using a data communication cable that is 3m (approx. 10 ft.) or longer, please use a cable made by Diatrend Corporation.

Recommended Products

Ferrite Core	E04SR301334 <Seiwa Electronics Corporation>
9-25 Conversion Adapter	ZA-403 <Roas Co.>

[Creating a 9-25 pin Conversion Adapter]

Connector/Cover for GP	D-sub 25 pin Plug	XM2A-2501 <OMRON Co.>
	Cover for D-sub 25 pin	XM2S-2511 <OMRON Co.>
	Jack Screw	XM2Z-0071 <OMRON Co.>
Setscrew	Metric Coarse Screw Tread : M2.6 × 0.45	
Diagram	<p>D-sub 25 pin Male D-sub 9 pin Male</p> <p>Lock-screw (mm) Lock nut (inch)</p>	