
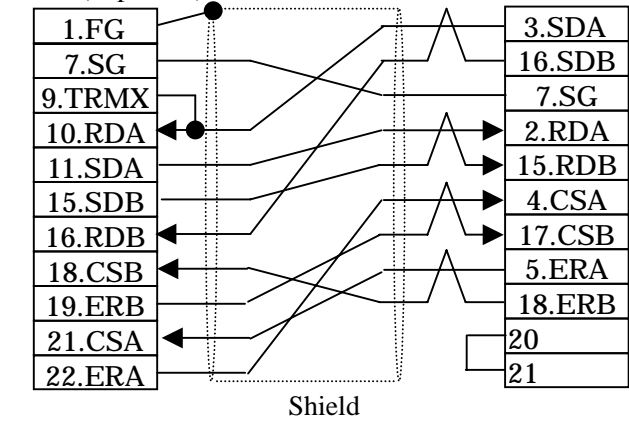


## Mitsubishi <9> Mitsubishi Electric Corporation

### QnA Series CPU Direct Connection

#### Connection Method

[Connecting Directly / Connecting with Internal 2-Port Feature]

Type	Connection Method	Distance																						
Using GP430-IP10-O		5m																						
Creating Cable	<p>To GP (25p Male)</p> <table border="1" style="display: inline-table; margin-right: 20px;"> <tr><td>1.FG</td></tr> <tr><td>7.SG</td></tr> <tr><td>9.TRMX</td></tr> <tr><td>10.RDA</td></tr> <tr><td>11.SDA</td></tr> <tr><td>15.SDB</td></tr> <tr><td>16.RDB</td></tr> <tr><td>18.CSB</td></tr> <tr><td>19.ERB</td></tr> <tr><td>21.CSA</td></tr> <tr><td>22.ERA</td></tr> </table> <p>To PLC (25p Male)</p> <table border="1" style="display: inline-table;"> <tr><td>3.SDA</td></tr> <tr><td>16.SDB</td></tr> <tr><td>7.SG</td></tr> <tr><td>2.RDA</td></tr> <tr><td>15.RDB</td></tr> <tr><td>4.CSA</td></tr> <tr><td>17.CSB</td></tr> <tr><td>5.ERA</td></tr> <tr><td>18.ERB</td></tr> <tr><td>20</td></tr> <tr><td>21</td></tr> </table> <p style="text-align: center;">Shield</p> 	1.FG	7.SG	9.TRMX	10.RDA	11.SDA	15.SDB	16.RDB	18.CSB	19.ERB	21.CSA	22.ERA	3.SDA	16.SDB	7.SG	2.RDA	15.RDB	4.CSA	17.CSB	5.ERA	18.ERB	20	21	<p>Within 5m</p> <p>Supporting Models: GP2000 / GLC2000 Series</p>
1.FG																								
7.SG																								
9.TRMX																								
10.RDA																								
11.SDA																								
15.SDB																								
16.RDB																								
18.CSB																								
19.ERB																								
21.CSA																								
22.ERA																								
3.SDA																								
16.SDB																								
7.SG																								
2.RDA																								
15.RDB																								
4.CSA																								
17.CSB																								
5.ERA																								
18.ERB																								
20																								
21																								

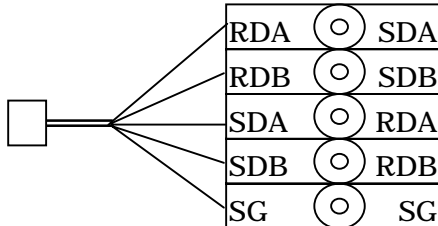
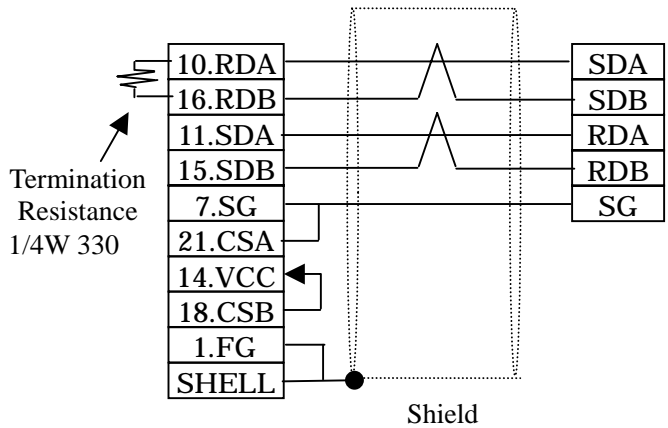


**This wiring is available for only GP2000 Series / GLC2000 Series.**

#### Recommended Products

Connector/Cover for GP	D-sub 25 pin Plug	XM2A-2501 <OMRON Co.>
	Cover for D-sub 25 pin	XM2S-2511 <OMRON Co.>
	Jack Screw	XM2Z-0071 <OMRON Co.>
Cable	CO-MA-VV-SB5P × 28AWG <Hitachi Cable Ltd.>	
Setscrew	Metric Coarse Screw Tread : M2.6 × 0.45	

[Connecting via 2-Port Adapter ]

Type	Connection Method	Distance
Using GP070-MDCB11	<p>Cable with 5 wires      Adapter with 5 contacts</p>  <p><b>Caution</b> Cross the signal names of wires and ones of terminal block contacts.</p>	5m
Creating Cable	<p>To GP (25p Male)      Adapter Terminal Block</p>  <p>Termination Resistance 1/4W 330</p> <p><b>Caution</b> RS-422 Connector Terminal Adapter (GP070-CN10-O) cannot be used on the GP.</p>	Within 600m

### Recommended Products

Connector/Cover for GP	D-sub 25 pin Plug	XM2A-2501 <OMRON Co.>
	Cover for D-sub 25 pin	XM2S-2511 <OMRON Co.>
	Jack Screw	XM2Z-0071 <OMRON Co.>
Terminal on Adapter	Equivalent to V1.25-MS3 <J.S.T. Mfg. Co., Ltd.>	
Cable	CO-SPEV-SB (A) 3PX0.5SQ <Hitachi Cable Ltd.>	
Setscrew	Metric Coarse Screw Tread : M2.6 × 0.45	