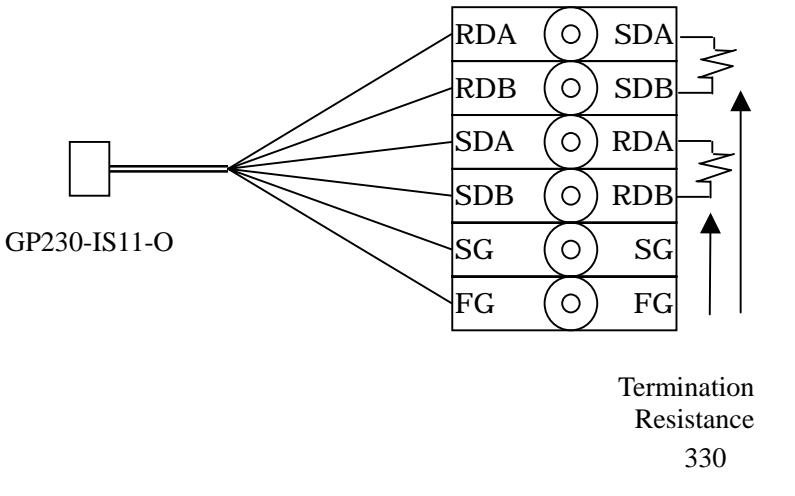
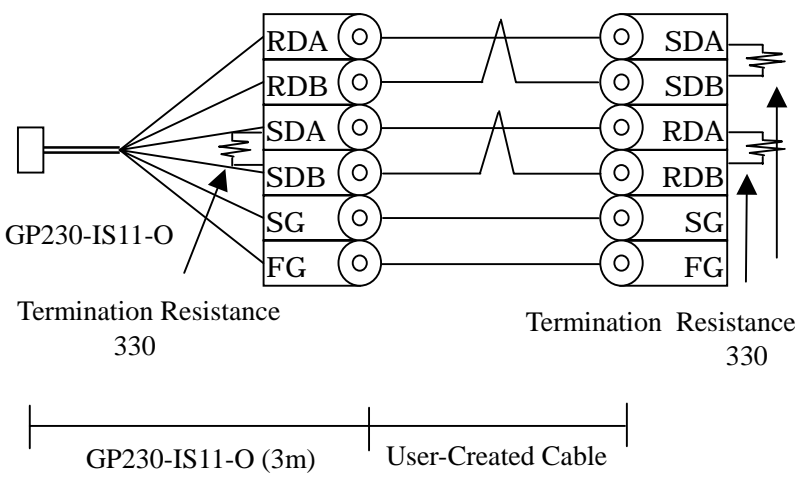
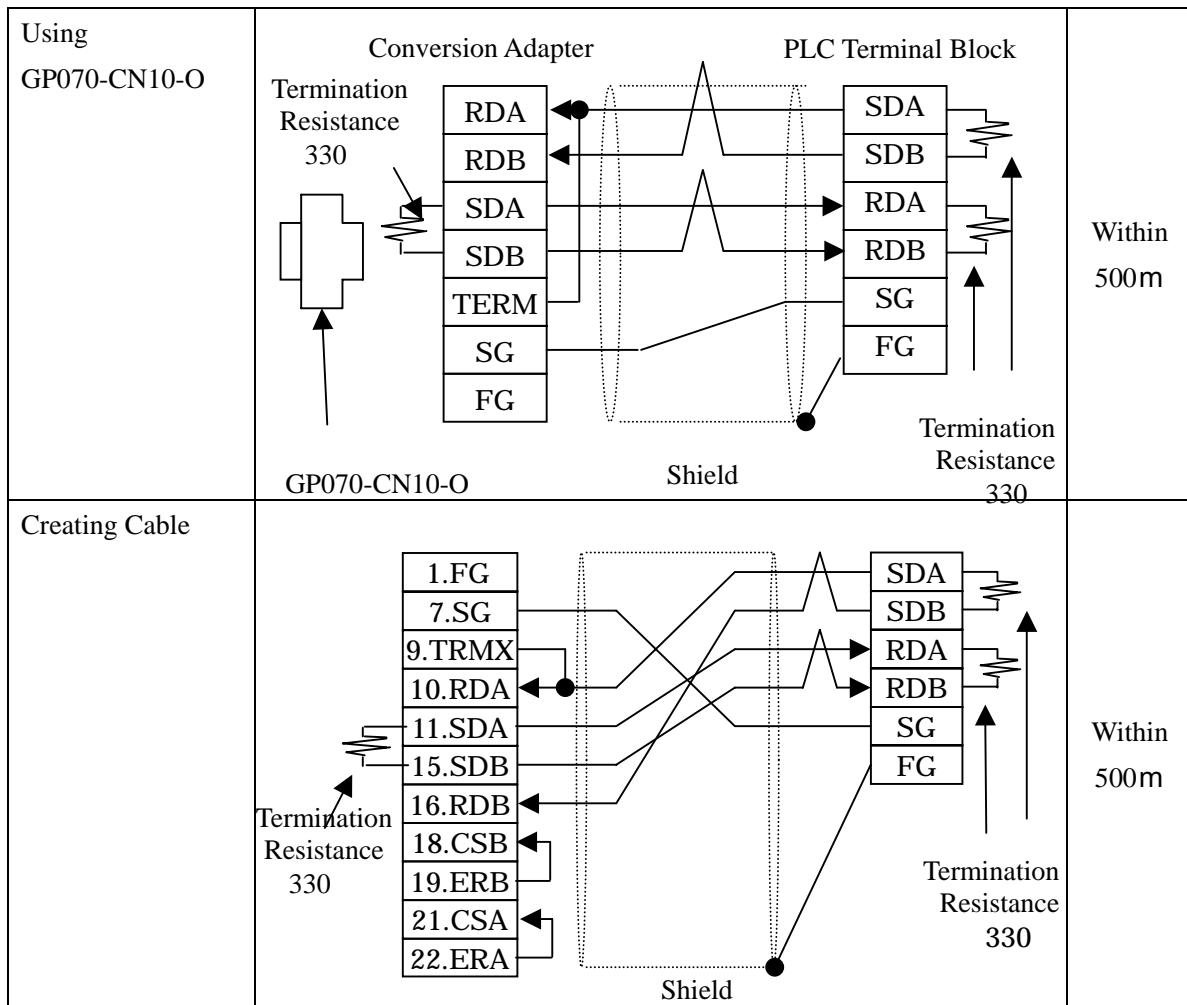




## 2. RS-422 Connection

Type	Connection Method	Distance
Using GP230-IS11-O	<p>To GP (25p Male)</p> <p>Cable with 6 wires</p> <p>PLC Terminal Block with 6 contacts</p>  <p>Termination Resistance 330</p>	5m
Extending GP230-IS11-O	<p>Cable with 6 wires</p> <p>PLC Terminal Block with 6 contacts</p>  <p>Termination Resistance 330</p> <p>Termination Resistance 330</p> <p>GP230-IS11-O (3m)   User-Created Cable</p>	5 - 500 m



\* If a communication cable is used, it must be connected to the SG.

\* Termination Resistance

**PLC /    between SDA and SDB, between RDA and RDB :    330**  
(with wattage specified on PLC)

**GP Unit /    as required (Refer to Cable Diagrams) :    330**  
(with wattage specified on PLC)

### Recommended Products

Connector/Cover for GP	D-sub 25 pin Plug	XM2A-2501 <OMRON Co.>
	Cover for D-sub 25 pin	XM2S-2511 <OMRON Co.>
	Jack Screw	XM2Z-0071 <OMRON Co.>
Cable	SPEV(SB)-MPC-0.2*3P <Mitsubishi Cable Ind.>	
Setscrew	Metric Coarse Screw Tread :    M2.6 × 0.45	