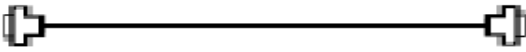
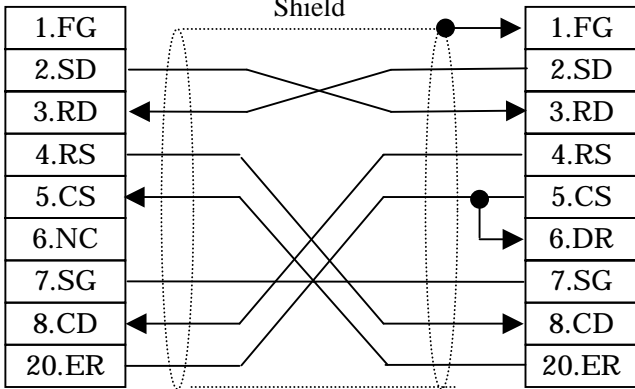


Mitsubishi <7> Mitsubishi Electric Corporation

QnA Series + Link Unit (Large) Connection

Connection Method

1. RS-232C Connection

Type	Connection Method	Distance
Using GP410-IS00-O		5m
Creating Cable	<p>To GP (25p Male) To PLC (25p Male)</p> 	Within 15m



* If a communication cable is used, it must be connected to the SG.

The optional cable, GP410-IS00-O is 5m long. If you need a longer cable or shorter, please use a User-Created cable to connect.

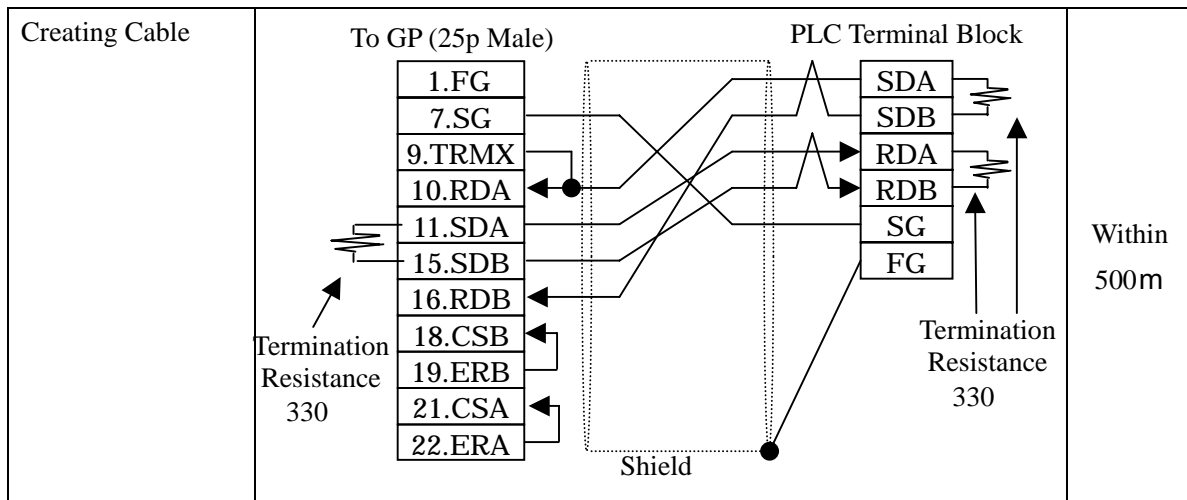
Recommended Products

Connector/Cover for GP	D-sub 25 pin Plug	XM2A-2501 <OMRON Co.>
	Cover for D-sub 25 pin	XM2S-2511 <OMRON Co.>
	Jack Screw	XM2Z-0071 <OMRON Co.>
Cable	CO-MA-VV-SB5P × 28AWG <Hitachi Cable Ltd.>	
Setscrew	Metric Coarse Screw Tread : M2.6 × 0.45	

2. RS-422 Connection

[Connecting via AJ71UC24, AJ71QC24, AJ71QC24N, AJ71QC24-R4 (CN-1)]

Type	Connection Method	Distance
Using GP230-IS11-O	<p>To GP (25p Male)</p> <p>Cable with 6 wires</p> <p>PLC Terminal Block with 6</p> <p>Termination Resistance 330</p>	5m
Extending GP230-IS11-O	<p>Cable with 6 wires</p> <p>PLC Terminal Block with 6 contacts</p> <p>Termination Resistance 330</p> <p>Termination Resistance 330</p> <p>GP230-IS11-O (3m) User-Created Cable</p>	5 - 500 m
Using GP070-CN10-O	<p>Conversion Adapter</p> <p>PLC Terminal Block</p> <p>Termination Resistance 330</p> <p>Termination Resistance 330</p> <p>GP070-CN10-O Shield</p>	Within 500m



* If a communication cable is used, it must be connected to the SG.

* Termination Resistance

PLC / between SDA and SDB, between RDA and RDB : 330
(with wattage specified on PLC)

GP Unit / as required (Refer to Cable Diagrams) : 330
(with wattage specified on PLC)

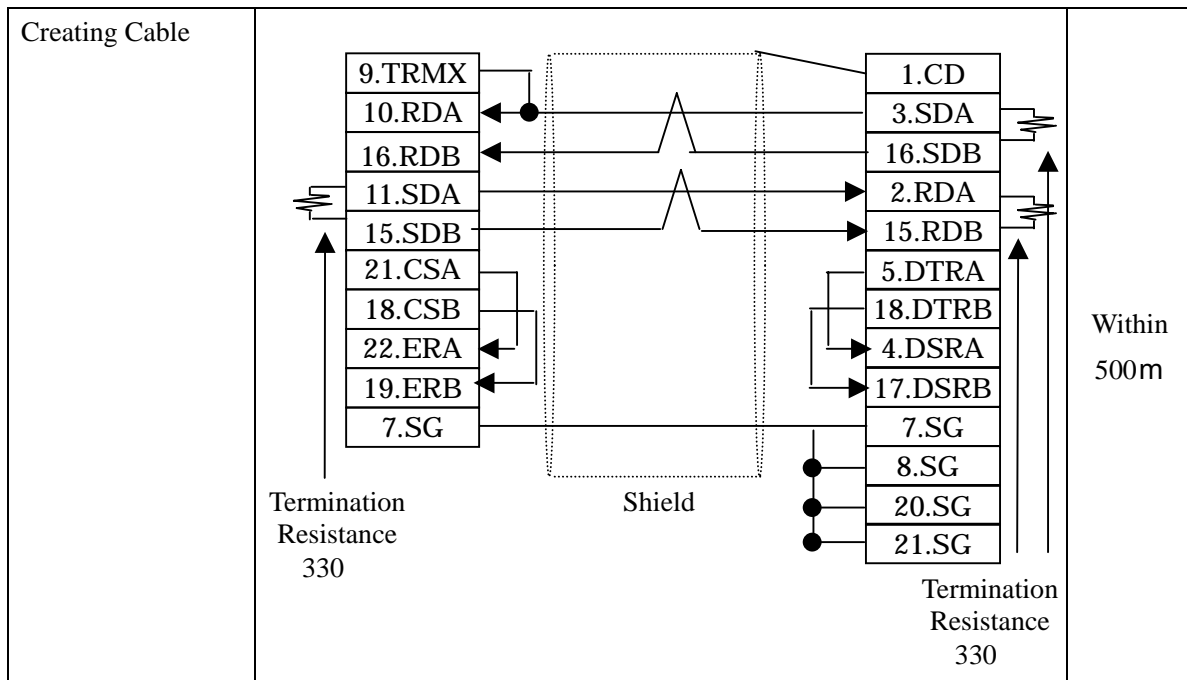
Recommended Products

Connector/Cover for GP	D-sub 25 pin Plug	XM2A-2501 <OMRON Co.>
	Cover for D-sub 25 pin	XM2S-2511 <OMRON Co.>
	Jack Screw	XM2Z-0071 <OMRON Co.>
Cable	SPEV(SB)-MPC-0.2*3P <Mitsubishi Cable Ind.>	
Setscrew	Metric Coarse Screw Tread : M2.6 × 0.45	

3. RS-422 Connection

[Connecting via AJ71QC24-R4 (CN-2)]

Type	Connection Method	Distance
Using GP230-IS11-O	<p>To GP (25p Male)</p> <p>GP230-IS11-O</p> <p>Termination Resistance 330</p> <p>Shield</p> <p>Termination Resistance 330</p>	5m
Using GP070-CN10-O	<p>Termination Resistance 330</p> <p>Shield</p> <p>Termination Resistance 330</p>	Within 500m



* If a communication cable is used, it must be connected to the SG.

* Termination Resistance

PLC / between SDA and SDB, between RDA and RDB : 330
(with wattage specified on PLC)

GP Unit / as required (Refer to Cable Diagrams) : 330
(with wattage specified on PLC)

Recommended Products

Connector/Cover for GP	D-sub 25 pin Plug	XM2A-2501 <OMRON Co.>
	Cover for D-sub 25 pin	XM2S-2511 <OMRON Co.>
	Jack Screw	XM2Z-0071 <OMRON Co.>
Cable	SPEV(SB)-MPC-0.2*3P <Mitsubishi Cable Ind.>	
Setscrew	Metric Coarse Screw Tread : M2.6 × 0.45	