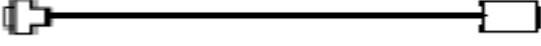


## Mitsubishi <6> Mitsubishi Electric Corporation

### A Series (AnN/AnS) CPU Direct Connection

#### Connection Method

[Connecting to A1N / A2N / A3N / A3H]

Type	Connection Method	Distance																								
Using GP430-IP10-O		5m																								
Creating Cable	<p>To GP (25p Male)                      To PLC (25p Male)</p> <table border="1" style="width: 100%; border-collapse: collapse;"> <tr> <td style="width: 50%; text-align: center;"> <table border="1" style="width: 100%; border-collapse: collapse;"> <tr><td>1.FG</td></tr> <tr><td>7.SG</td></tr> <tr><td>9.TRMX</td></tr> <tr><td>10.RDA</td></tr> <tr><td>11.SDA</td></tr> <tr><td>15.SDB</td></tr> <tr><td>16.RDB</td></tr> <tr><td>18.CSB</td></tr> <tr><td>19.ERB</td></tr> <tr><td>21.CSA</td></tr> <tr><td>22.ERA</td></tr> </table> </td> <td style="width: 50%; text-align: center;"> <table border="1" style="width: 100%; border-collapse: collapse;"> <tr><td>3.SDA</td></tr> <tr><td>16.SDB</td></tr> <tr><td>7.SG</td></tr> <tr><td>2.RDA</td></tr> <tr><td>15.RDB</td></tr> <tr><td>4.CSA</td></tr> <tr><td>17.CSB</td></tr> <tr><td>5.ERA</td></tr> <tr><td>18.ERB</td></tr> <tr><td>20</td></tr> <tr><td>21</td></tr> </table> </td> </tr> </table> <p style="text-align: center;">Shield</p>	<table border="1" style="width: 100%; border-collapse: collapse;"> <tr><td>1.FG</td></tr> <tr><td>7.SG</td></tr> <tr><td>9.TRMX</td></tr> <tr><td>10.RDA</td></tr> <tr><td>11.SDA</td></tr> <tr><td>15.SDB</td></tr> <tr><td>16.RDB</td></tr> <tr><td>18.CSB</td></tr> <tr><td>19.ERB</td></tr> <tr><td>21.CSA</td></tr> <tr><td>22.ERA</td></tr> </table>	1.FG	7.SG	9.TRMX	10.RDA	11.SDA	15.SDB	16.RDB	18.CSB	19.ERB	21.CSA	22.ERA	<table border="1" style="width: 100%; border-collapse: collapse;"> <tr><td>3.SDA</td></tr> <tr><td>16.SDB</td></tr> <tr><td>7.SG</td></tr> <tr><td>2.RDA</td></tr> <tr><td>15.RDB</td></tr> <tr><td>4.CSA</td></tr> <tr><td>17.CSB</td></tr> <tr><td>5.ERA</td></tr> <tr><td>18.ERB</td></tr> <tr><td>20</td></tr> <tr><td>21</td></tr> </table>	3.SDA	16.SDB	7.SG	2.RDA	15.RDB	4.CSA	17.CSB	5.ERA	18.ERB	20	21	<p>Within 5m</p> <p>Supporting Models: GP2000 / GLC2000 Series</p>
<table border="1" style="width: 100%; border-collapse: collapse;"> <tr><td>1.FG</td></tr> <tr><td>7.SG</td></tr> <tr><td>9.TRMX</td></tr> <tr><td>10.RDA</td></tr> <tr><td>11.SDA</td></tr> <tr><td>15.SDB</td></tr> <tr><td>16.RDB</td></tr> <tr><td>18.CSB</td></tr> <tr><td>19.ERB</td></tr> <tr><td>21.CSA</td></tr> <tr><td>22.ERA</td></tr> </table>	1.FG	7.SG	9.TRMX	10.RDA	11.SDA	15.SDB	16.RDB	18.CSB	19.ERB	21.CSA	22.ERA	<table border="1" style="width: 100%; border-collapse: collapse;"> <tr><td>3.SDA</td></tr> <tr><td>16.SDB</td></tr> <tr><td>7.SG</td></tr> <tr><td>2.RDA</td></tr> <tr><td>15.RDB</td></tr> <tr><td>4.CSA</td></tr> <tr><td>17.CSB</td></tr> <tr><td>5.ERA</td></tr> <tr><td>18.ERB</td></tr> <tr><td>20</td></tr> <tr><td>21</td></tr> </table>	3.SDA	16.SDB	7.SG	2.RDA	15.RDB	4.CSA	17.CSB	5.ERA	18.ERB	20	21			
1.FG																										
7.SG																										
9.TRMX																										
10.RDA																										
11.SDA																										
15.SDB																										
16.RDB																										
18.CSB																										
19.ERB																										
21.CSA																										
22.ERA																										
3.SDA																										
16.SDB																										
7.SG																										
2.RDA																										
15.RDB																										
4.CSA																										
17.CSB																										
5.ERA																										
18.ERB																										
20																										
21																										




This wiring is available for only GP2000 Series / GLC2000 Series.

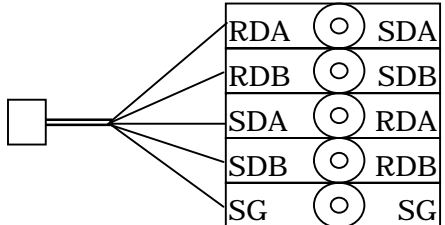
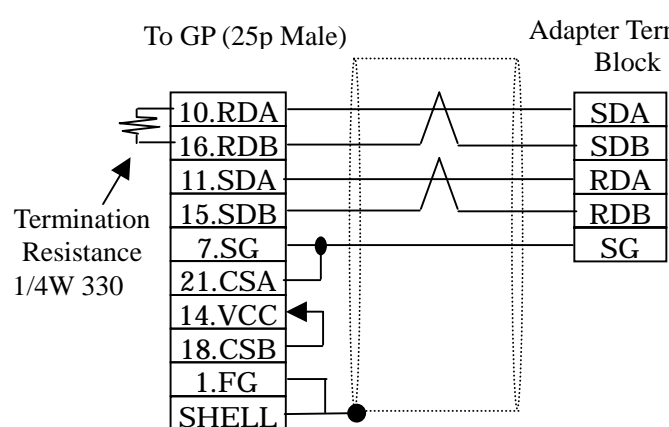
#### Recommended Products

Connector/Cover for GP	D-sub 25 pin Plug	XM2A-2501 <OMRON Co.>
	Cover for D-sub 25 pin	XM2S-2511 <OMRON Co.>
	Jack Screw	XM2Z-0071 <OMRON Co.>
Cable	CO-MA-VV-SB5P × 28AWG <Hitachi Cable Ltd.>	
Setscrew	Metric Coarse Screw Tread : M2.6 × 0.45	

[Connecting to A1FX]

Type	Connection Method	Distance
Using GP430-IP11-O		5m

[Connecting via 2-Port Adapter ]

Type	Connection Method	Distance
Using GP070-MDCB11	<p>Cable with 5 wires      Adapter with 5 contacts</p>  <p><b>Caution</b> Cross the signal names of wires and ones of terminal block contacts.</p>	5m
Creating Cable	<p>To GP (25p Male)      Adapter Terminal Block</p>  <p>Termination Resistance 1/4W 330</p> <p><b>Caution</b> RS-422 Connector Terminal Adapter (GP070-CN10-O) cannot be used on the GP.</p>	Within 600m



Connecting to A1FX via 2-Port Adapter



\*1: You need a straight cable to adjust height of the connector on the CPU and align it with that of the CPU cover.

## Recommended Products

Connector/Cover for GP	D-sub 25 pin Plug	XM2A-2501 <OMRON Co.>
	Cover for D-sub 25 pin	XM2S-2511 <OMRON Co.>
	Jack Screw	XM2Z-0071 <OMRON Co.>
Terminal on Adapter	Equivalent to V1.25-MS3 <J.S.T. Mfg. Co., Ltd.>	
Cable	CO-SPEV-SB (A) 3PX0.5SQ <Hitachi Cable Ltd.>	
Setscrew	Metric Coarse Screw Tread : M2.6 × 0.45	