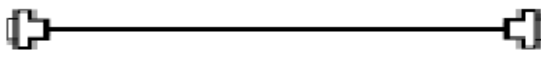
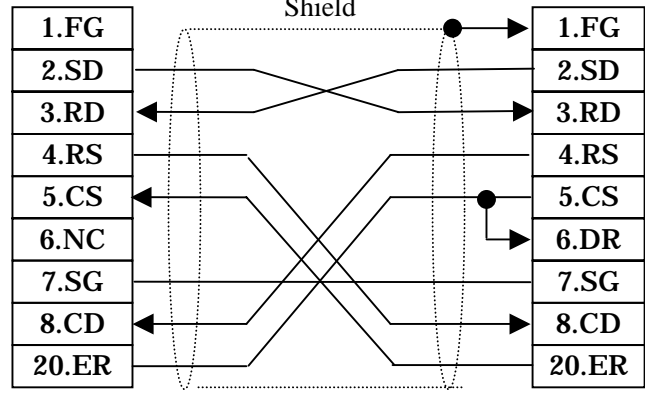


Mitsubishi <4> Mitsubishi Electric Corporation

A Series (AnN) + Link Unit (Large) Connection

Connection Method

1. RS-232C Connection

Type	Connection Method	Distance
Using GP410-IS00-O		5m
Creating Cable	<p>To GP (25p Male) Shield To PLC (25p Male)</p> 	Within 15m



* If a communication cable is used, it must be connected to the SG.



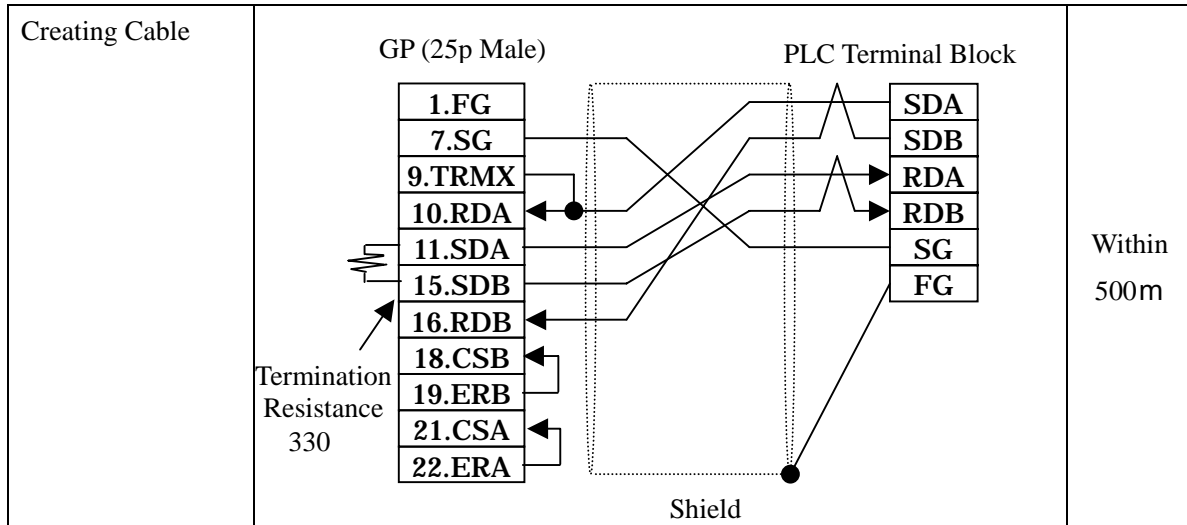
The optional cable, GP410-IS00-O is 5m long. If you need a longer cable or shorter, please use a User-Created cable to connect.

Recommended Products

Connector/Cover for GP	D-sub 25 pin Plug	XM2A-2501 <OMRON Co.>
	Cover for D-sub 25 pin	XM2S-2511 <OMRON Co.>
	Jack Screw	XM2Z-0071 <OMRON Co.>
Cable	CO-MA-VV-SB5P × 28AWG <Hitachi Cable Ltd.>	
Setscrew	Metric Coarse Screw Tread : M2.6 × 0.45	

2. RS-422 Connection

Type	Connection Method	Distance
Using GP230-IS11-O	<p>To GP (25p Male)</p> <p>Cable with 6 wires</p> <p>PLC Terminal Block with 6 contacts</p>	5m
Extending GP230-IS11-O	<p>To GP (25p Male)</p> <p>Cable with 6 wires</p> <p>PLC Terminal Block with 6 contacts</p> <p>Termination Resistance 330</p> <p>Termination Resistance 330</p> <p>GP230-IS11-O (3m) User-Created Cable</p>	5 - 500 m
Using GP070-CN10-O	<p>Termination Resistance 330</p> <p>Conversion Adapter</p> <p>PLC Terminal Block</p> <p>GP070-CN10-O</p> <p>Shield</p>	Within 500m



- * If a communication cable is used, it must be connected to the SG.
- * Turn on the termination resistance switch on the PLC. (Excepting for AJ71UC24)
- * Termination resistance when using AJ71UC24

PLC /	between SDA and SDB, between RDA and RDB :	330
	(with wattage specified on PLC)	
GP Unit /	as required (Refer to Cable Diagrams) :	330
	(with wattage specified on PLC)	

Recommended Products

Connector/Cover for GP	D-sub 25 pin Plug	XM2A-2501 <OMRON Co.>
	Cover for D-sub 25 pin	XM2S-2511 <OMRON Co.>
	Jack Screw	XM2Z-0071 <OMRON Co.>
Cable	SPEV(SB)-MPC-0.2*3P <Mitsubishi Cable Ind.>	
Setscrew	Metric Coarse Screw Tread : M2.6 × 0.45	