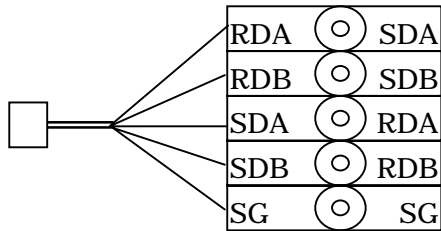
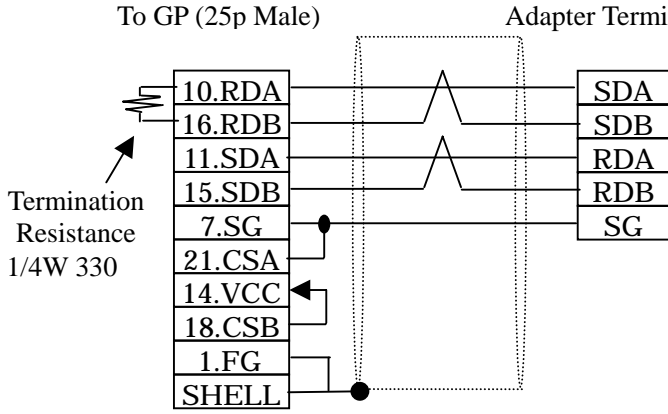


[Connecting via 2-Port Adapter]

Type	Connection Method	Distance
Using GP070-MDCB11	<p style="text-align: center;">Cable with 5 wires Adapter with 5 contacts</p>  <p>Caution Cross the signal names of wires and ones of terminal block contacts.</p>	5m
Creating Cable	<p style="text-align: center;">To GP (25p Male) Adapter Terminal Block</p>  <p>Caution RS-422 Connector Terminal Adapter (GP070-CN10-O) cannot be used on the GP.</p>	Within 600m

Recommended Products

Connector/Cover for GP	D-sub 25 pin Plug	XM2A-2501 <OMRON Co.>
	Cover for D-sub 25 pin	XM2S-2511 <OMRON Co.>
	Jack Screw	XM2Z-0071 <OMRON Co.>
Terminal on Adapter	Equivalent to V1.25-MS3 <J.S.T. Mfg. Co., Ltd.>	
Cable	CO-SPEV-SB (A) 3PX0.5SQ <Hitachi Cable Ltd.>	
Setscrew	Metric Coarse Screw Tread : M2.6 × 0.45	