

PS-4800 0 Slot - Aluminum Bezel Model
Model (Global Code): PFXPP180xxxxxxxN00

Functional Specification		
Display Size	19"	
Display Colors	16 million	
Backlight	LED Life span > 50,000 h @ 25 °C [77 °F]	
Brightness Control	Step less adjustment	
Supported OS	[Core™2 Duo] HDD or SSD: Windows® XP Professional SP3/Windows® 7 Ultimate CF: Windows® Embedded Standard 2009/Windows® Embedded Standard 7 [Atom™] HDD or SSD: Windows® XP Professional SP3 CF: Windows® Embedded Standard 2009*1	
CPU	Core™2 Duo P8400 2.26 GHz or Atom™ N270 1.6 GHz	
L2 Cache Memory	Core™2 Duo: 3 MB, Atom™: 512 KB	
Main Memory	Core™2 Duo: 2 GB to 8 GB max. (DDR3 1,066 MHz) Atom™: 1 GB to 3 GB max. (DDR2 533 MHz)*2	
Chipset	Core™2 Duo: GM45, Atom™: 945GME	
Graphics Accelerator	Core™2 Duo: Intel® Graphics Media Accelerator (GMA) 4500 MHD Atom™: Intel® Graphics Media Accelerator 950	
Video Memory	Core™2 Duo: Up to 384 MB, Atom™: Up to 224 MB*3	
Graphics	SXGA TFT active matrix (1,280 x 1,024 pixels)	
Touch Panel Type	Analog resistive film	
Touch Panel Resolution	4,096 x 4,096	
Interface	Serial ATA	Slide-in Disk: (HDD or SSD) x1
	IDE	4 GB or 8 GB CF Card (Type-I) x1
	Serial (COM1)	RS-232C (D-Sub 9-pin, plug)
	Serial (COM2)	RS-232C (D-Sub 9-pin, plug)
	Serial (COM3)	RS-232C/422/485 (Optional)
	Ethernet (LAN1)	10/100/1000 Mbit/s (RJ-45 Modular jack)
	Ethernet (LAN2)	10/100/1000 Mbit/s (RJ-45 Modular jack)
	USB (TYPE-A)	USB 2.0 x5*4
	Video	DVI-I x1

*1: For details on languages supported by pre-installed operating systems, read "The List of OS Pre-installed Languages for Multi-language".
(<http://www.pro-face.com/product/psc4000/spec/language.html>) The capacity of CF Card is 8 GB only.

*2: Unable to be added by users.

*3: Reserved from main memory.

*4: Maximum 500 mA per connection for USB2, USB4
Maximum 1 A per connection for USB1, USB3, USB5

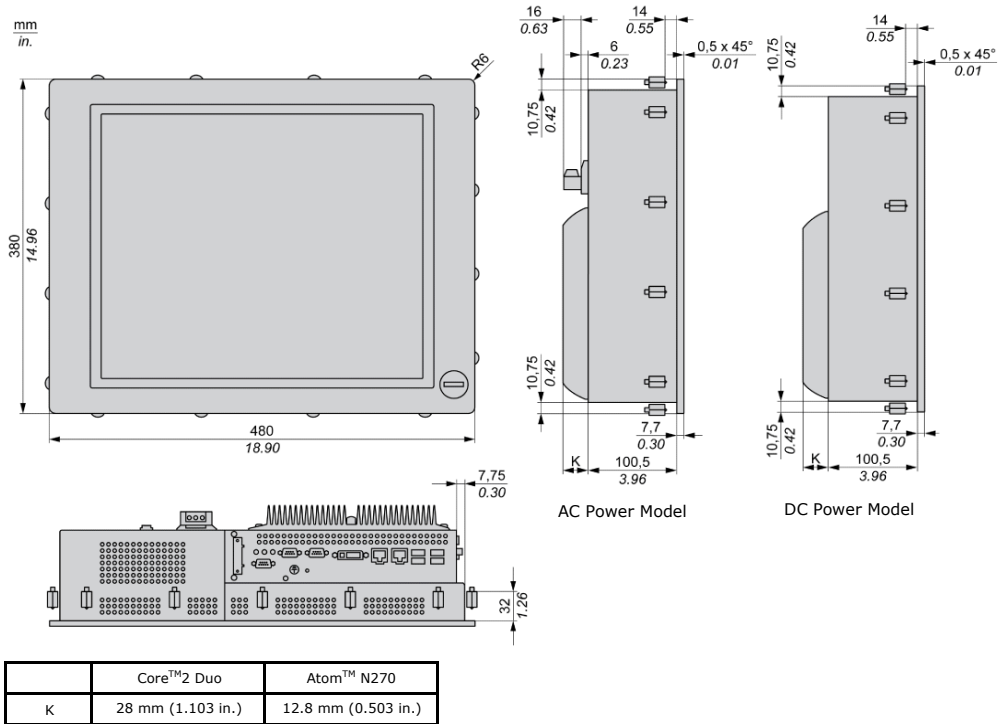
General Specification	
Supported Standards and Regulations	UL508, ANSI/ISA12.12.01, CSA C22.2 No.142, CSA C22.2 No213, EMC 2004/108/EC, LVD 2006/95/EC, KC, C-TICK, GOST-R, GL*5
Rated Input Voltage	AC Power Model: 100 to 240 Vac DC Power Model: 24 Vdc ±25 %
Rated Frequency	AC Power Model: 60/50 Hz
Power Consumption	Core™2 Duo: 115 W, Atom™: 95 W*6
In-Rush Current	AC Power Model: [100VAC] Typ. 20 A (At cold start), [240VAC] Typ. 40 A (At cold start) DC Power Model: Typ. 7 A, max. 50 A < 300 µs
Surrounding Air Temperature	0 to 50 °C [32 to 122 °F]*7
Storage Temperature	- 20 to +60 °C [- 4 to +140 °F]
Ambient Humidity	10 to 85 % RH (Wet bulb temperature: 29 °C [84.2 °F] max. - no condensation)
Storage Humidity	10 to 85 % RH (Wet bulb temperature: 29 °C [84.2 °F] max. - no condensation)
Pollution Degree	For use in Pollution Degree 2 environment
Air Pressure (altitude range)	2,000 m [6,560 ft] max.
Vibration Resistance	Operation (continuous) for 6 Fc products with SSD or CF Card storage device: 2 to 9 Hz: 1.75 mm [0.07 in.], 9 to 200Hz: 4.9 m/s ² Operation (continuous) for products with HDD storage device: 5 to 100 Hz: 1.225 m/s ² Operation (occasional) for products with SSD or CF Card storage device: 2 to 9 Hz: 3.5 mm [0.14 in.], 9 to 200 Hz: 9.8 m/s ² Operation (occasional) for products with HDD storage device: 5 to 100 Hz: 2.450 m/s ² Merchant Navy (continuous): 3 to 13.2 Hz: 1 mm [0.04 in.], 13.2 to 100 Hz: 6.86 m/s ² Shock Resistance (in operation): 147 m/s ² for a duration of 11 ms (IEC 60068-2-27 Ea test)
Electromagnetic Compatibility (EMC)	Immunity to High Frequency Interference Electromagnetic Emissions Class A
Structure	Front: IP65
Cooling Method	Core™2 Duo: Passive heat sink and Fan kit with filter. Fan speed is controlled by internal temperature. Fan does not operate unless internal temperature reaches the set temperature. Atom™: Passive heat sink, Fanless operation
Weight Approx.	[Core™2 Duo] AC Power Model: 12.5 kg [27.6 lbs] DC Power Model: 11.5 kg [25.4 lbs] [Atom™] AC Power Model: 11.5 kg [25.4 lbs] DC Power Model: 11.0 kg [24.3 lbs]
External Dimensions	Core™2 Duo: W480 x H380 x D136.2 mm [W18.90 x H14.96 x D5.363 in.] Atom™: W480 x H380 x D121 mm [W18.90 x H14.96 x D4.763 in.]
Panel Cut Dimensions	W459.5 x H359.5 mm [W18.09 x H14.15 in.]

*5: GL requires to mount a noise filter for marine certification. It confines the next configuration CPU type: Atom™ N270, Storage: CF or SDD".

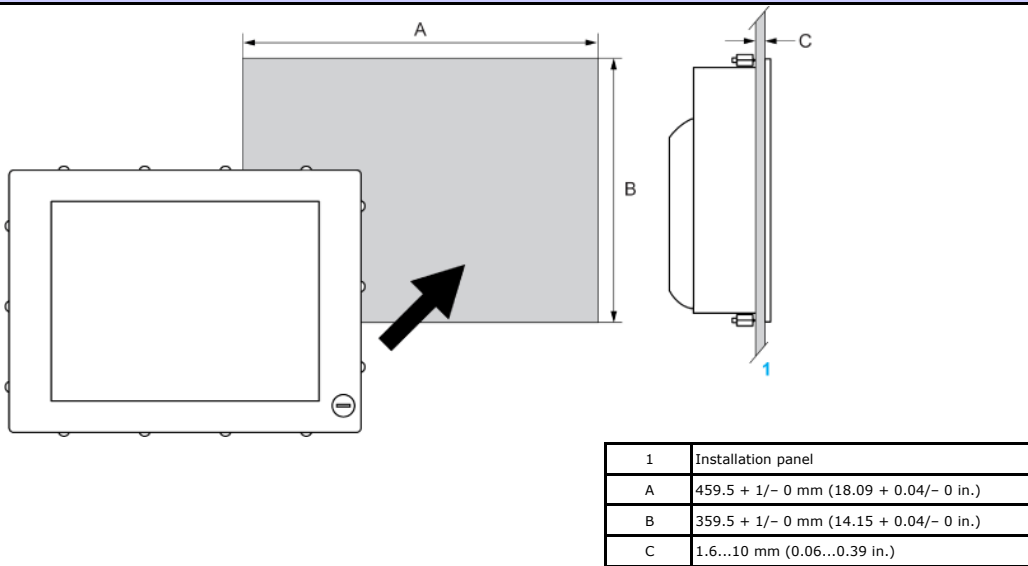
*6: The value does not include the power supplied to USB devices, which you attach.
The product's maximum power consumption including the power supplied to them is 130W.

*7: Surrounding air temperature depends on what feature or option you use. When you use Panel IPC without FAN unit (Atom™ N270):
0 to 45 °C [32 to 113 °F] when using Gigabit Ether, 5 to 40 °C [41 to 104 °F] when using Slide-in Slot.
When you use Panel IPC with FAN unit (Core™2 Duo P8400): 5 to 50 °C [41 to 122 °F] when using Slide-in Slot.

External Dimensions



Panel Cut-out



The following table shows the general tolerances for Industrial Personal Computer dimensions.

Nominal Measurement	General Tolerance acc. DIN ISO 2768 Medium
up to 6 mm (up to 0.236 in.)	± 0.1 mm (± 0.004 in.)
6...30 mm (0.236...1.181 in.)	± 0.2 mm (± 0.0078 in.)
30...120 mm (1.18...4.724 in.)	± 0.3 mm (± 0.012 in.)
120...400 mm (4.724...15.747 in.)	± 0.5 mm (± 0.02 in.)
400...1000 mm (15.747...39.37 in.)	± 0.8 mm (± 0.031 in.)

Pro-face's PS4000 Series website <http://www.pro-face.com/product/ipc/ps4000/>