

**PS-4700 1 Slot - Stainless Steel Bezel Model**  
**Model (Global Code): PFXPT171xxxxxxN00**

Functional Specification		
Display Size	15" (Front Bezel Material: Stainless Steel (SUS304))	
Display Colors	16 million	
Backlight	LED Life span > 50,000 h @ 25 °C [77 °F]	
Brightness Control	Step less adjustment	
Supported OS	[ Core™2 Duo ] HDD or SSD: Windows® XP Professional SP3/Windows® 7 Ultimate CF: Windows® Embedded Standard 2009/Windows® Embedded Standard 7 [ Atom™ ] HDD or SSD: Windows® XP Professional SP3 CF: Windows® Embedded Standard 2009*1	
CPU	Core™2 Duo P8400 2.26 GHz or Atom™ N270 1.6 GHz	
L2 Cache Memory	Core™2 Duo: 3 MB, Atom™: 512 KB	
Main Memory	Core™2 Duo: 2 GB to 8 GB max. (DDR3 1,066 MHz) Atom™: 1 GB to 3 GB max. (DDR2 533 MHz)*2	
Chipset	Core™2 Duo: GM45, Atom™: 945GME	
Graphics Accelerator	Core™2 Duo: Intel® Graphics Media Accelerator (GMA) 4500 MHD Atom™: Intel® Graphics Media Accelerator 950	
Video Memory	Core™2 Duo: Up to 384 MB, Atom™: Up to 224 MB*3	
Graphics	XGA TFT active matrix (1,024 x 768 pixels)	
Touch Panel Type	Analog resistive film	
Touch Panel Resolution	4,096 x 4,096	
Interface	Serial ATA	Slide-in Disk: (HDD or SSD) x1, Slide-in Slot: (HDD or SSD or DVD-RW) x1
	IDE	4 GB or 8 GB CF Card (Type-I) x1
	Serial (COM1)	RS-232C (D-Sub 9-pin, plug)
	Serial (COM2)	RS-232C (D-Sub 9-pin, plug)
	Serial (COM3)	RS-232C/422/485 (Optional)
	Ethernet (LAN1)	10/100/1000 Mbit/s (RJ-45 Modular jack)
	Ethernet (LAN2)	10/100/1000 Mbit/s (RJ-45 Modular jack)
	USB (TYPE-A)	USB 2.0 x4*4
	Video	DVI-I x1
	Expansion Slot	PCI x1

\*1: For details on languages supported by pre-installed operating systems, read "The List of OS Pre-installed Languages for Multi-language".  
(<http://www.pro-face.com/product/psc4000/spec/language.html>) The capacity of CF Card is 8 GB only.

\*2: Unable to be added by users.

\*3: Reserved from main memory.

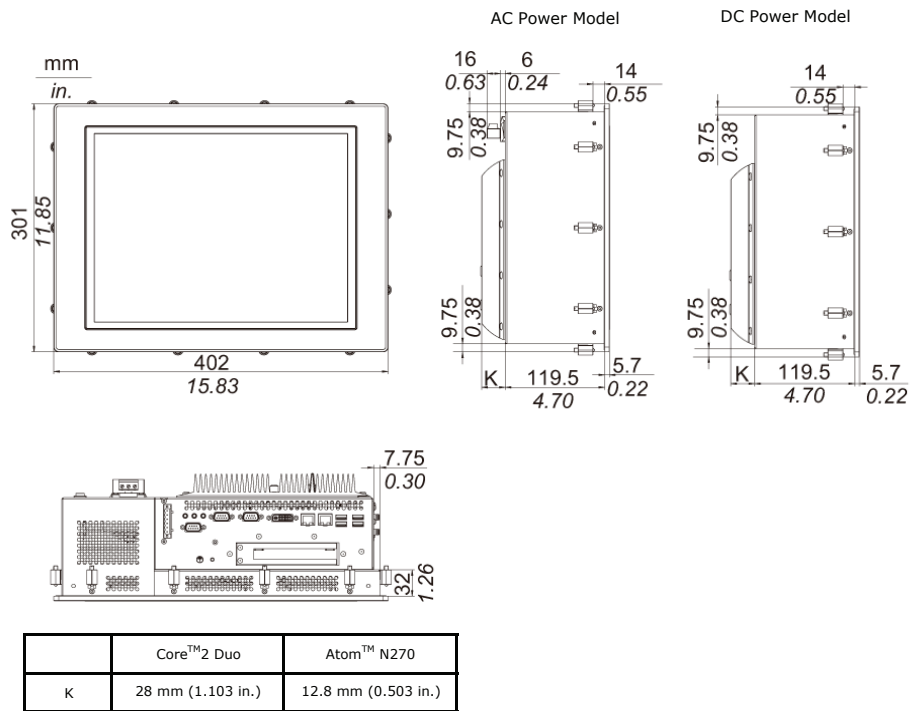
\*4: Maximum 500 mA per connection for USB2, USB4  
Maximum 1 A per connection for USB1, USB3

General Specification	
Supported Standards and Regulations	UL508, ANSI/ISA12.12.01, CSA C22.2 No.142, CSA C22.2 No213, EMC 2004/108/EC, LVD 2006/95/EC, ATEX, C-TICK, GOST-R
Rated Input Voltage	AC Power Model: 100 to 240 Vac DC Power Model: 24 Vdc ±25 %
Rated Frequency	AC Power Model: 60/50 Hz
Power Consumption	Core™2 Duo: 100 W, Atom™: 70 W*5
In-Rush Current	AC Power Model: [100VAC] Typ. 20 A (At cold start), [240VAC] Typ. 40 A (At cold start) DC Power Model: Typ. 7 A, max. 50 A < 300 μs
Surrounding Air Temperature	0 to 50 °C [32 to 122 °F]*6
Storage Temperature	- 20 to +60 °C [- 4 to +140 °F]
Ambient Humidity	10 to 85 % RH (Wet bulb temperature: 29 °C [84.2 °F] max. - no condensation)
Storage Humidity	10 to 85 % RH (Wet bulb temperature: 29 °C [84.2 °F] max. - no condensation)
Pollution Degree	For use in Pollution Degree 2 environment
Air Pressure (altitude range)	2,000 m [6,560 ft] max.
Vibration Resistance	Operation (continuous) for 6 Fc products with SSD or CF Card storage device: 2 to 9 Hz: 1.75 mm [0.07 in.], 9 to 200Hz: 4.9 m/s <sup>2</sup> Operation (continuous) for products with HDD storage device: 5 to 100 Hz: 1.225 m/s <sup>2</sup> Operation (occasional) for products with SSD or CF Card storage device: 2 to 9 Hz: 3.5 mm [0.14 in.], 9 to 200 Hz: 9.8 m/s <sup>2</sup> Operation (occasional) for products with HDD storage device: 5 to 100 Hz: 2.450 m/s <sup>2</sup> Merchant Navy (continuous): 3 to 13.2 Hz: 1 mm [0.04 in.], 13.2 to 100 Hz: 6.86 m/s <sup>2</sup> Shock Resistance (in operation): 147 m/s <sup>2</sup> for a duration of 11 ms (IEC 60068-2-27 Ea test)
Electromagnetic Compatibility (EMC)	Immunity to High Frequency Interference Electromagnetic Emissions Class A
Structure	Front: IP65
Cooling Method	Core™2 Duo: Passive heat sink and Fan kit with filter. Fan speed is controlled by internal temperature. Fan does not operate unless internal temperature reaches the set temperature. Atom™: Passive heat sink, Fanless operation
Weight Approx.	[ Core™2 Duo ] AC Power Model: 10.1 kg [22.3 lbs] DC Power Model: 9.8 kg [21.6 lbs] [ Atom™ ] AC Power Model: 9.3 kg [20.5 lbs] DC Power Model: 8.8 kg [19.4 lbs]
External Dimensions	Core™2 Duo: W402 x H301 x D153.2 mm [W15.82 x H11.85 x D6.023 in.] Atom™: W402 x H301 x D138 mm [W15.82 x H11.85 x D5.423 in.]
Panel Cut Dimensions	W383.5 x H282.5 mm [W15.10 x H11.12 in.]

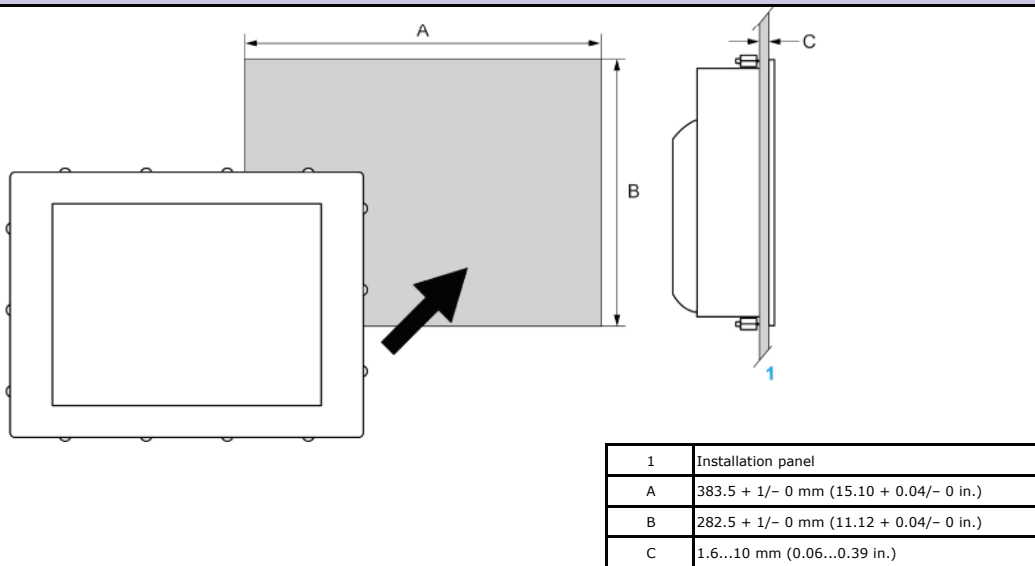
\*5: The value does not include the power supplied to the devices for expansion slots or USB devices, which you attach.  
The product's maximum power consumption including the power supplied to them is 130W.

\*6: Surrounding air temperature depends on what feature or option you use. When you use Panel IPC without FAN unit (Atom™ N270):  
0 to 45 °C [32 to 113 °F] when using Gigabit Ether, 5 to 40 °C [41 to 104 °F] when using Slide-in Slot.  
When you use Panel IPC with FAN unit (Core™2 Duo P8400): 5 to 50 °C [41 to 122 °F] when using Slide-in Slot.

External Dimensions and Panel Cut-out



Panel Cut-out



The following table shows the general tolerances for Industrial Personal Computer dimensions.

Nominal Measurement	General Tolerance acc. DIN ISO 2768 Medium
up to 6 mm (up to 0.236 in.)	± 0.1 mm (± 0.004 in.)
6...30 mm (0.236...1.181 in.)	± 0.2 mm (± 0.0078 in.)
30...120 mm (1.18...4.724 in.)	± 0.3 mm (± 0.012 in.)
120...400 mm (4.724...15.747 in.)	± 0.5 mm (± 0.02 in.)
400...1000 mm (15.747...39.37 in.)	± 0.8 mm (± 0.031 in.)

Pro-face's PS4000 Series website <http://www.pro-face.com/product/ipc/ps4000/>