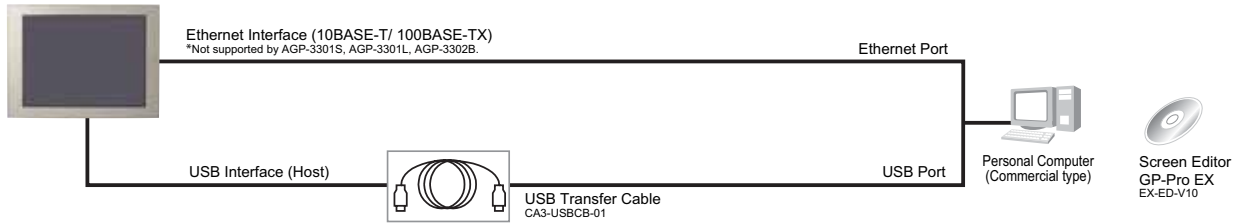
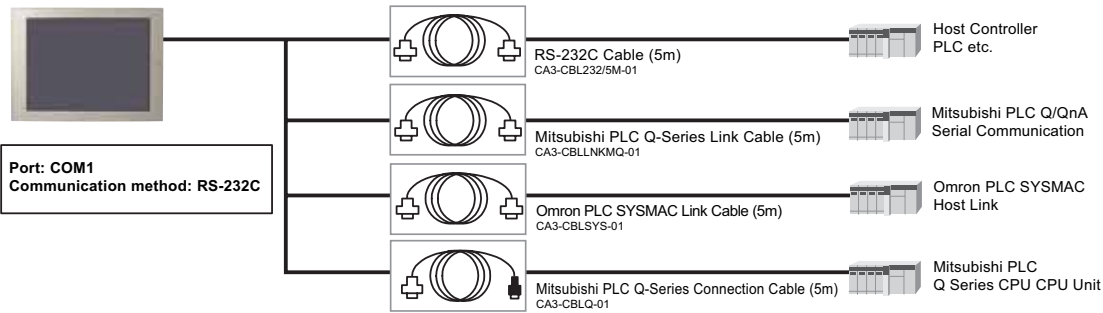


System Structure

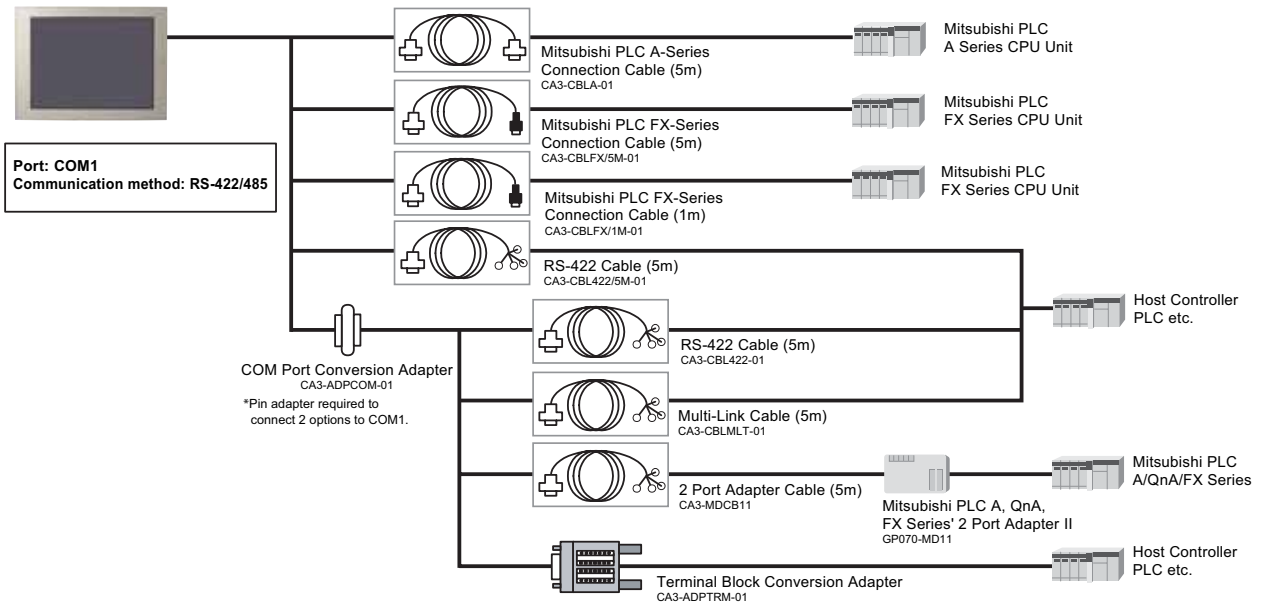
Edit Mode peripherals



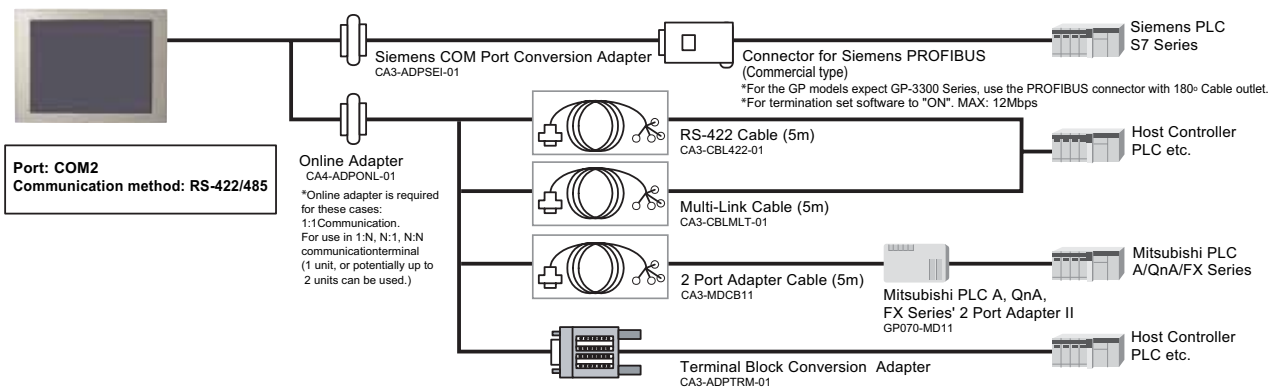
Serial Communication COM1:RS-232C < All GP3000 Series models. >



Serial Communication COM1:RS-422/485 < All GP3000 Series models. >

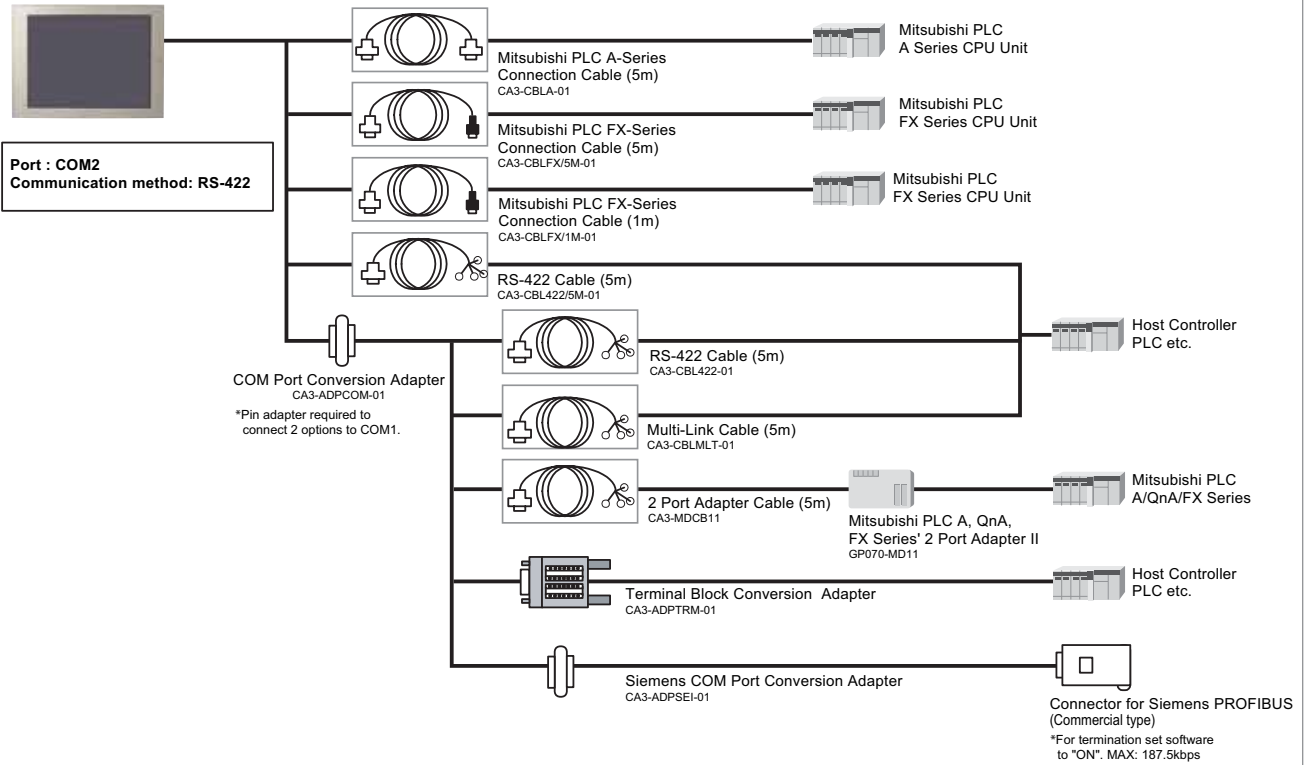


Serial Communication COM2:RS-422/485 < All GP3000 Series models except AGP-3302B. >



System Structure

Serial Communication COM2:RS-422 < AGP-3302B >



Interface < All GP3000 Series models. >

