

Easy! Smooth!

GP/ST-3200 Series->GP4000 Series

Replacement Guidebook

Preface

This guidebook introduces the procedures to replace a unit in GP/ST-3200 series with a unit in GP4000 series.

Model in use	Model No.	Recommended Substitution
GP-3200T	AGP3200-T1-D24	GP-4201T
GP-3200A	AGP3200-A1-D24	
ST-3211A	AST3211-A1-D24	GP-4203T
ST-3201A	AST3201-A1-D24	GP-4201TW

Safety Information

HAZARD OF OPERATOR INJURY, OR UNINTENDED EQUIPMENT DAMAGE

Before operating any of these products, be sure to read all related manuals thoroughly.

Failure to follow these instructions can result in death, serious injury or unintended equipment damage.

GP4000 Series Model Number

GP4000 series model number partly differs depending on a specification. Before placing an order, please make sure of the model number.

PFXGP4 * 0 * * * * *

A

B

C

D

E

F

A	2	GP-4200 series (3.5")
	3	GP-4300 series (5.7")
	4	GP-4400 series (7.5"/7.0"W)
	5	GP-4500 series (10.4")
	6	GP-4600 series (12.1")
B	01	RS-232C/422/485
	03	RS-485 (isolation)
C	T	TFT color LCD
	W	TFT color LCD (Wide Type)
D	A	Analog Resistive Film Touch Panel
	M	Matrix Resistive Film Touch Panel
E	A	AC Type Power Supply
	D	DC Type Power Supply
F	W	GP-4201TW/4301TW/4401WW/4501TW
	C	Coated model
	WC	Coated model of GP-4301TW



Contents

<u>PREFACE</u>	<u>2</u>
<u>SAFETY INFORMATION</u>	<u>2</u>
<u>HAZARD OF OPERATOR INJURY, OR UNINTENDED EQUIPMENT DAMAGE</u>	<u>2</u>
<u>GP4000 SERIES MODEL NUMBER</u>	<u>3</u>
<u>CONTENTS</u>	<u>4</u>
<u>CHAPTER 1 SPECIFICATION COMPARISON</u>	<u>6</u>
1.1 SPECIFICATIONS OF GP-3200T/A AND GP-4201T	6
1.2 SPECIFICATIONS OF ST-3211A AND GP-4203T	7
1.3 SPECIFICATIONS OF ST-3201A AND GP-4201TW	8
<u>CHAPTER 2 COMPATIBILITY OF HARDWARE</u>	<u>9</u>
2.1 LOCATIONS OF CONNECTOR	9
CONNECTOR LOCATIONS ON GP-3200T/A AND GP-4201T	9
CONNECTOR LOCATIONS ON ST-3211A AND GP-4203T	10
CONNECTOR LOCATIONS ON ST-3201A AND GP-4201TW	11
2.2 TOUCH PANEL SPECIFICATIONS	12
2.3 DISPLAY COLORS (EXCEPT GP-3200T)	12
2.4 TRANSFER CABLE	13
2.5 SERIAL INTERFACE	13
2.6 PERIPHERAL UNITS AND OPTIONS	14
2.5.1 BARCODE READER CONNECTION	14
2.6.2 PRINTER CONNECTION	14
2.6.3 ISOLATION UNIT (FOR GP-3200T/A ONLY)	14



2.7 POWER CONSUMPTION	15
2.8 MATERIALS/COLORS OF THE BODY	15
2.9 BACKUP MEMORY (SRAM) (ONLY WHEN REPLACING ST-3201A WITH GP-4201TW)	16
2.10 ABOUT LADDER MONITOR	17
2.11 ABOUT PRO-SERVER	17
2.12 OTHER NOTES	17
<u>CHAPTER 3 REPLACEMENT PROCEDURE</u>	<u>18</u>
3.1 WORK FLOW	18
3.2 PREPARATION	19
3.3 RECEIVE SCREEN DATA FROM GP/ST-3200 SERIES	20
3.4 CHANGE THE DISPLAY UNIT TYPE	25
3.5 TRANSFER SCREEN DATA TO GP4000 SERIES	26
3.6 DIFFERENCES OF SOFTWARE	30
<u>CHAPTER 4 COMMUNICATION WITH DEVICE/PLC</u>	<u>31</u>
4.1 DRIVERS	31
4.2 SHAPES OF COM PORTS	32
4.3 SIGNALS OF COM PORTS	33
4.3.1 SIGNALS OF COM1	33
4.3.2 SIGNALS OF COM2	38
4.4 MULTILINK CONNECTION	40
4.5 CABLE DIAGRAM AT THE TIME OF REPLACEMENT	40

Chapter 1 Specification Comparison



1.1 Specifications of GP-3200T/A and GP-4201T

		GP-3200T/A	GP-4201T
			
Display Type	GP-3200T	TFT color LCD	TFT color LCD
	GP-3200A	Monochrome Amber/Red LCD	
Display Colors, Levels	GP-3200T	256 colors (without blink)/ 64 colors (with blink)	UP! 65,536 colors (without blink)/ 16,384 colors (with blink) -> See 2.3
	GP-3200A	Monochrome, 8 levels	
Display Resolution		QVGA (320x240 pixels)	
Panel Cutout Dimensions (mm)		118.5(W)x92.5(H)	
External Dimensions (mm)		130(W)x104(H)x40(D)	132(W)x106(H)x42(D)
Touch Panel Type		Resistive film (Analog)	
Memory	Application	6MB	UP! 16MB
	SRAM	320KB	
Backup Battery		Secondary Battery (Rechargeable Lithium battery)	
Rated Input Voltage		DC 24V	
Serial I/F	COM1	D-Sub 9 pin (plug) RS-232C/422/485	
Ethernet Interface		10BASE-T/100BASE-TX	
USB I/F	Type A	✓	✓
	Type mini B	-	-> See 2.4

1.2 Specifications of ST-3211A and GP-4203T

		ST-3211A	GP-4203T
			
Display Type		Monochrome Amber/Red LCD	UP! TFT color LCD
Display Colors, Levels		Monochrome, 8 levels	UP! 65,536 colors (without blink)/ 16,384 colors (with blink) -> See 2.3
Display Resolution		QVGA(320×240 pixels)	
Panel Cutout Dimensions (mm)		118.5(W)×92.5(H)	
External Dimensions (mm)		130(W)×104(H)×40(D)	132(W)×106(H)×42(D)
Touch Panel Type		Resistive film (Analog)	
Memory	Application	6MB	UP! 16MB
	SRAM	320KB	
Backup Battery		Secondary Battery (Rechargeable Lithium battery)	
Rated Input Voltage		DC 24V	
Serial I/F	COM1	D-Sub 9 pin (plug) RS-232C	D-Sub 9 pin (socket) RS-485 (for MPI only) -> See 2.5 and Chapter4
	COM2	D-Sub 9 pin (socket) RS-485 (for MPI only)	- -> See 2.5 and Chapter4
Ethernet I/F		-	NEW! 10BASE-T/100BASE-TX
USB I/F	Type A	✓	✓
	Type mini B	-	-> See 2.4

1.3 Specifications of ST-3201A and GP-4201TW

		ST-3201A	GP-4201TW
			
Display Type		Monochrome Amber/Red LCD	UP! TFT color LCD
Display Colors, Levels		Monochrome, 8 levels	UP! 65,536 colors (without blink)/ 16,384 colors (with blink) ->See 2.3
Display Resolution		QVGA (320x240 pixels)	
Panel Cutout Dimensions (mm)		118.5(W)x92.5(H)	
External Dimensions (mm)		130(W)x104(H)x40(D)	132(W)x106(H)x42(D)
Touch Panel Type		Resistive film (Analog) ->See 2.2	
Memory	Application	6MB	UP! 8MB
	SRAM	320KB	128KB ->See 2.9
Backup Battery		Secondary Battery (Rechargeable Lithium battery)	
Rated Input Voltage		DC 24V	
Serial I/F	COM1	D-Sub 9 pin (plug) RS-232C	
	COM2	D-Sub 9 pin (plug) RS-422/485	
USB I/F	Type A	✓	✓
	Type mini B	-	->See 2.4

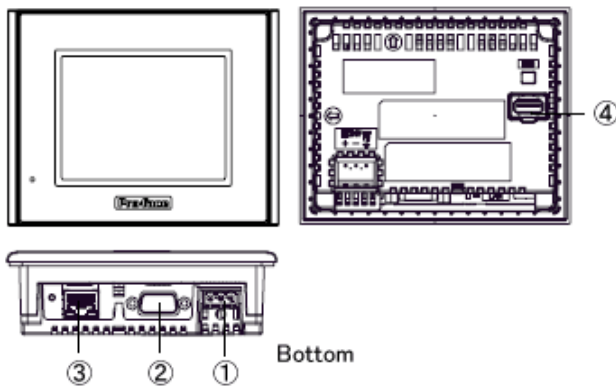
Chapter 2 Compatibility of Hardware

2.1 Locations of connector

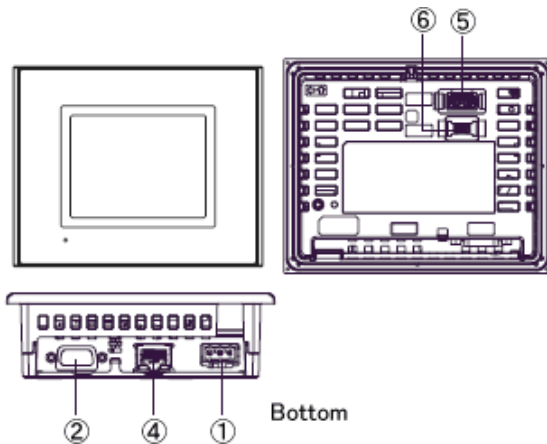
Connector locations on GP/ST-3200 series and GP4000 series are as follows:

Connector locations on GP-3200T/A and GP-4201T

GP-3200T/A



GP-4201T

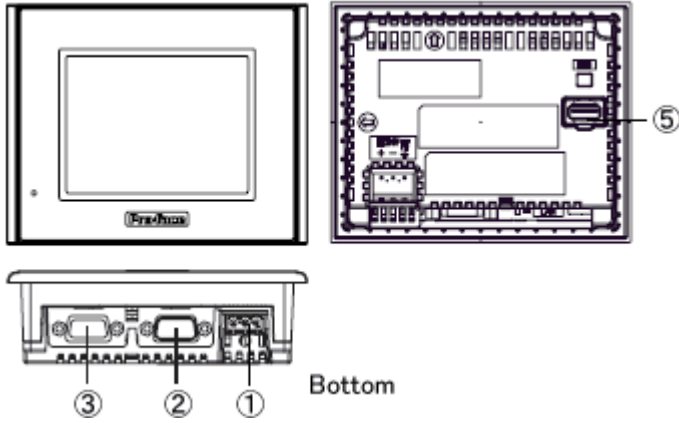


Interface names

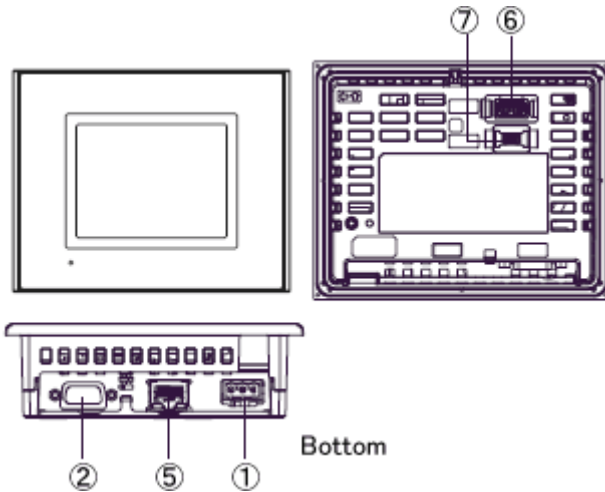
	GP-3200T/A	GP-4201T
1	Power Supply Connector	
2	Serial Interface (COM1)	
3	Ethernet Interface	
4	USB Interface (Type A)	
5	-	USB Interface (Type mini B)

Connector locations on ST-3211A and GP-4203T

ST-3211A



GP-4203T

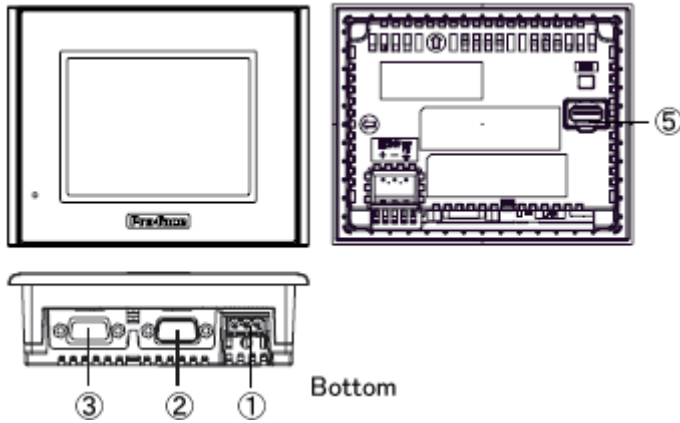


Interface names

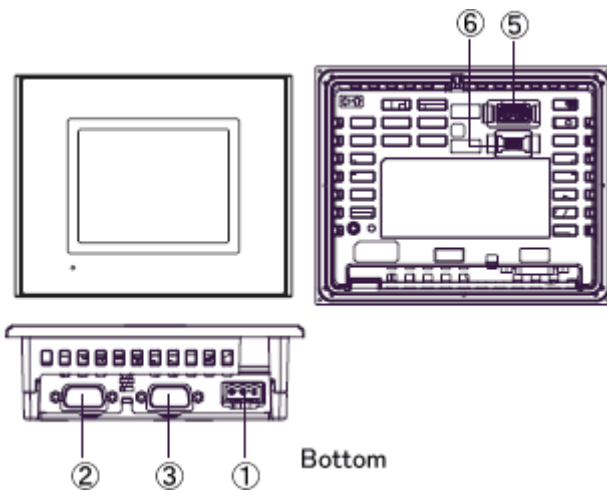
	ST-3211A	GP-4203T
1	Power Supply Connector	
2	Serial Interface (COM1)	
3	Serial Interface (COM2)	-
4	-	Ethernet Interface
5	USB Interface (Type A)	
6	-	USB Interface (Type mini B)

Connector locations on ST-3201A and GP-4201TW

ST-3201A



GP-4201TW



Interface names

	ST-3201A	GP-4201TW
1	Power Supply Connector	
2	Serial Interface (COM1)	
3	Serial Interface (COM2)	
4	USB Interface (Type A)	
5	-	USB Interface (Type mini B)

2.2 Touch panel Specifications

GP-4201T and GP-4201TW adopt Analog resistive film type.

Because of it, GP-4201T and GP-4201TW doesn't support 2-point touch input (touching 2 points on the screen at the same time).

GP-4201T	Analog type	Even if you touch two points at the same time, only the first touched point is recognized, but the second touched one is not.
GP-4201TW	Analog type	Even if two different points are touched at the same time, that's recognized as touch input on the middle coordinates between those two points.

2.3 Display Colors (except GP-3200T)

The display color of GP-3200A, ST-3211A, and ST-3201A is monochrome, but GP4000 series has a TFT color LCD. After replacement, the display color changes from monochrome to color.

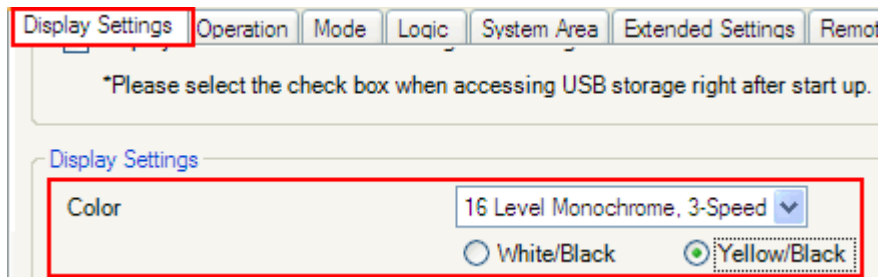
When the setting of the display unit type is changed from a monochrome model to a color one on GP-Pro EX, the data may be displayed in colors depending on the GP-Pro EX version or settings of the drawing/the parts on the screens.

After changing the display unit type, please confirm the display colors of the drawing or the parts on the screens just in case.

If the display is in colors after changing the display unit type...

GP-Pro EX Ver. 3.01.200 (Service Pack1) or later supports the function which changes drawing in colors to monochrome. To change the color to monochrome, follow the steps below.

- (1) Click [Project]->[System Settings]->[Display Unit].
- (2) Open the [Display Settings] tab.
- (3) Change [Color] setting to "16 Levels Monochrome, 3-Speed Blink".
- (4) Select [Yellow/Black].



* [Reverse Display] setting is for displaying the screen with black/white reversed. Check on this setting if needed.





* Please confirm the display colors of the drawing or the parts on the screens after changing the [Color] setting.

* The Change Backlight feature with the System Variable [#H_BackLightColor] is not supported.

2.4 Transfer cable

To transfer screen data to GP4000 series, use a USB transfer cable or Ethernet. The USB cables that can be used for GP4000 series are as follows;

	Model	Connector Type	Connector on GP
Options	CA3-USBCB-01		USB (Type A)
	ZC9USCBMB1		USB (Type mini B)
Commercial Item	-		

The same USB transfer cable (CA3-USBCB-01) as the one for GP/ST-3200 series can be used.

2.5 Serial Interface

The pin assignment and the shape of plug/socket connector of GP-3200T/A and ST-3201A are the same as those of GP-4201T/TW, but ST-3211A's are different. To know the details about them, see [\[4.2 Shapes of COM ports\]](#) and [\[4.3 Signals of COM ports\]](#).

Because of it, the existing PLC connection cables cannot be used as they are for ST-3211A. If you use the existing connection cables, see [\[4.5 Cable Diagram at the](#)

[time of replacement](#)].

* For ST-3211A only:

The COM1 port on ST-3211A is RS-232C and the COM2 port is RS-485 (MPI), but GP-4203T has only the COM1 port that is RS-485 (MPI). The devices that were connected to ST-3211A via RS-232C cannot be connected to GP-4203T after replacement.

2.6 Peripheral units and options

2.5.1 Barcode reader connection

Like GP/ST-3200 series, GP4000 series allows you to connect a barcode reader on its USB interface (TypeA) or its serial interface. However, please note that a barcode reader cannot be connected to the serial interface on GP-4203T.

For the models GP4000 series supports, see [OtasukePro!]

(http://www.pro-face.com/otasuke/qa/3000/0056_connect_e.html).

2.6.2 Printer Connection

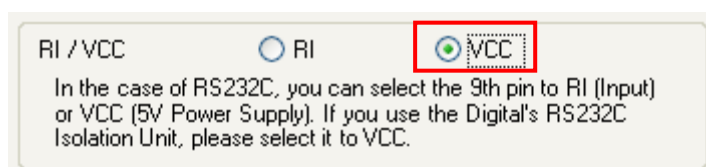
Like GP/ST-3200 series, GP4000 series allows you to connect a printer on its USB interface (Type A).

For the models GP4000 series supports, see [OtasukePro!]

(http://www.pro-face.com/otasuke/qa/3000/0056_connect_e.html).

2.6.3 Isolation Unit (for GP-3200T/A only)

RS-485 isolation unit for GP-3200T/A (CA3-ISO485-01) cannot be used for GP4000 series. You can use RS-232C isolation unit (CA3-ISO232-01) for GP4000 series instead. In this case, select "VCC" from [System Settings] -> [Device/PLC] in the [Project] menu on GP-Pro EX.



2.7 Power Consumption

The power consumption of GP/ST-3200 series is different from that of GP4000 series.

GP-3200T/A	ST-3201A/3211A	GP-4201T/TW	GP-4203T
13W or less		9.6W or less	

For the detailed electric specifications, see the hardware manual.

2.8 Materials/Colors of the body

The materials and the colors of GP/ST-3200 series and GP4000 series are as follows:

	GP/ST-3200 series	GP4000 series
Color	Light Gray	
Material	Resin	Resin with glass

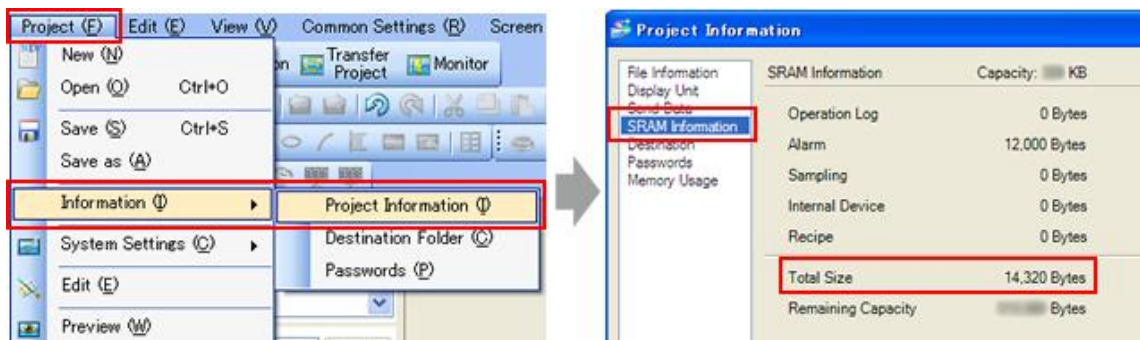
2.9 Backup Memory (SRAM)

(only when replacing ST-3201A with GP-4201TW)

When replacing ST-3201A with GP-4201TW, SRAM size becomes smaller (320KB -> 128KB). In case that SRAM size of your project file is more than 128KB after changing the Display Unit type to GP-4201TW, replace ST-3201A with GP-4201T instead of GP-4201TW.

To check SRAM size, follow the steps below;

- (1) Double click and open the project file (*.prx) on GP-Pro EX.
- (2) Change the Display Unit type to "GP-4201TW". To know how to change the Display Unit type, see [\[3.4 Change the Display Unit Type\]](#).
- (3) Click [Project]->[Information]->[Project Information]. The Project Information window appears.
- (4) Click [SRAM Information] to see SRAM size.



2.10 About Ladder monitor

PLC Ladder monitor tool cannot be used for GP4000 series.

2.11 About Pro-Server

If the Pro-Server EX is used, please use Ver.1.32 or later.

For details of the installation, refer to the

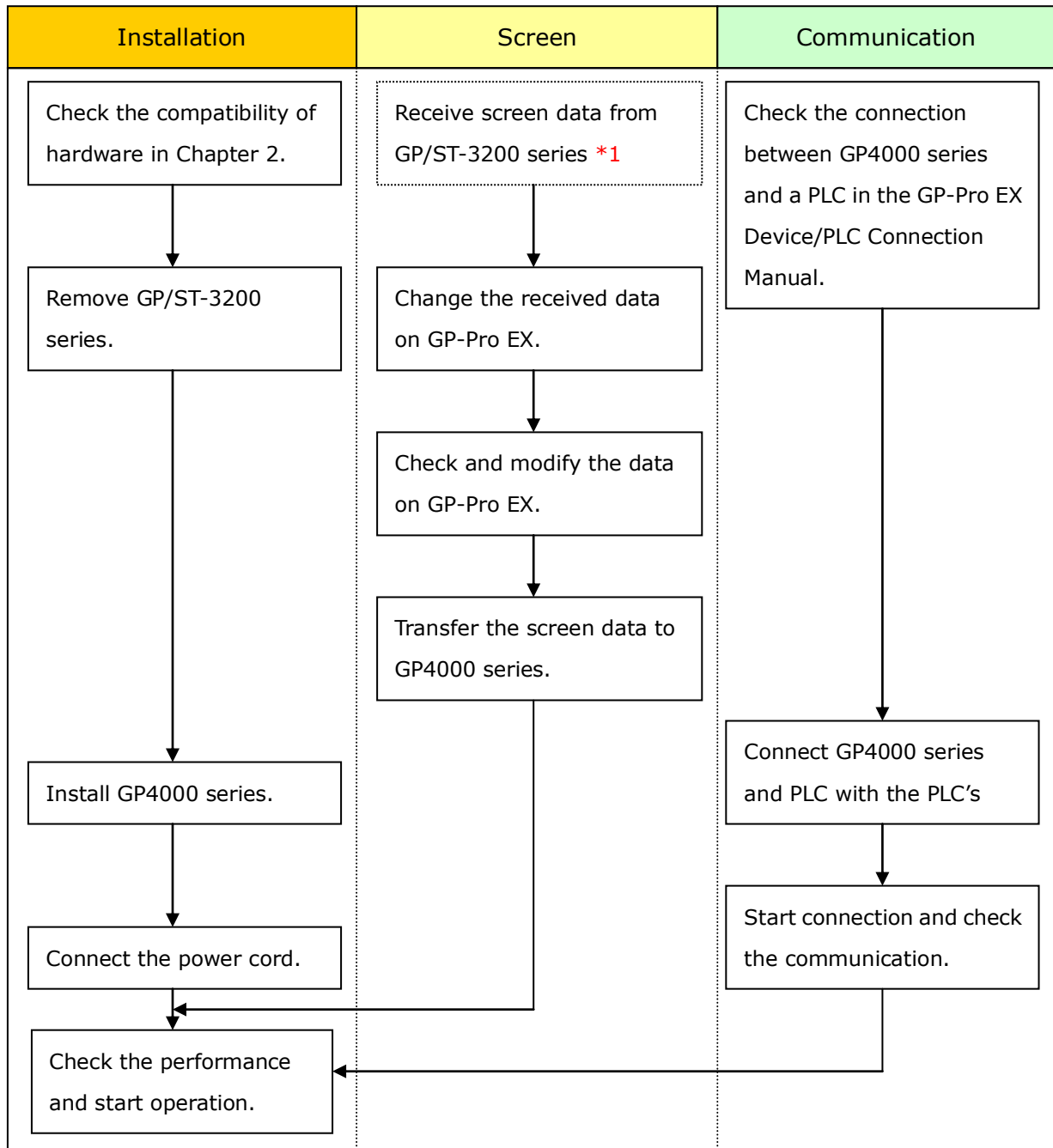
http://www.pro-face.com/otasuke/download/update/server_ex/.

2.12 Other Notes

- Do not expose GP4000 series to direct sunlight.
- Do not use GP4000 series outdoors.
- Do not turn on GP4000 series if condensation has occurred inside the device.
- When you are continuously using GP4000 series without oxygen, the brightness might decrease. Please ventilate the control panel periodically.

Chapter 3 Replacement Procedure

3.1 Work Flow



*1: This step is required if screen data is saved only in the GP unit, not in any other device.

3.2 Preparation

Requirements for receiving screen data from GP/ST-3200 series *1	PC in which GP-Pro EX Transfer Tool is installed. *2
	USB Transfer Cable (model: CA3-USBCB-01) * Possible to send/receive a screen via an USB storage or Ethernet (for GP-3200T/A only).
Requirements for converting screen data of GP/ST-3200 series and transferring the converted data to GP4000 series	PC in which GP-Pro EX Ver.3.01 or later is installed.
	Transfer Cable (The following three types of cables are available) <ul style="list-style-type: none"> • An USB transfer cable (model: CA3-USBCB-01) • An USB data-transfer cable (model: ZC9USCBMB1) • A commercial USB cable (USB Type A/mini B) * Possible to send/receive a screen data via an USB storage or Ethernet (except GP-4201TW).

*1: This step is required if screen data is saved only in the GP unit, not in any other device

*2: Please use the same version or later as or than that of the software used during creating screens on GP/ST-3200 series. If you don't know the version, we recommend you to use the newest version. For the newest version, you can download the transfer tool from our web site called [OtasukePro!] (http://www.pro-face.com/otasuke/download/freesoft/gpproex_transfer.htm)

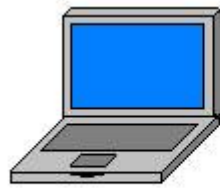
3.3 Receive screen data from GP/ST-3200 series

You can transfer data to GP/ST-3200 series via;

- An USB transfer cable (model: CA3-USBCB-01)
- An USB storage device
- Via Ethernet (for GP-3200T/A only)

But this section explains, as an example, how to receive screen data from GP/ST-3200 series using an USB transfer cable (model: CA3-USBCB-01).

If you have backed up screen data, this step is unnecessary, skip to the next section [[3.4 Change the Display Unit Type](#)].



PC



USB transfer cable
(CA3-USBCB-01)



GP

(1) Connect your PC and GP/ST-3200 series with a USB transfer cable.

If the driver of the cable has not been installed on your PC yet, a dialog box will appear. Please follow the instructions.

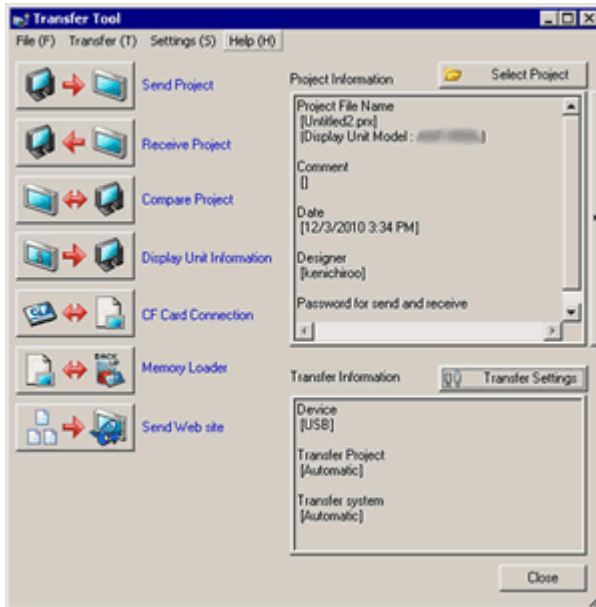
NOTE

- The “Hardware Installation” dialog box as follows may appear during installing the driver of a USB depending on the security level of Windows® XP. Click [Continue Anyway] to start installing the driver. When installation is completed, click [Finish].



- If the following symptoms appear on Microsoft Windows® 7, go to updating “USB Data Transfer Driver” on [OtasukePro!] for download. (http://www.pro-face.com/otasuke/download/freesoft/gpproex_transfer.htm)
 - An error occurs when GP-Pro EX or Transfer Tool is installed
 - An error occurs when data is transferred via a USB transfer cable (model: CA3-USBCB-01).

(2) Start the Transfer Tool of GP-Pro EX.



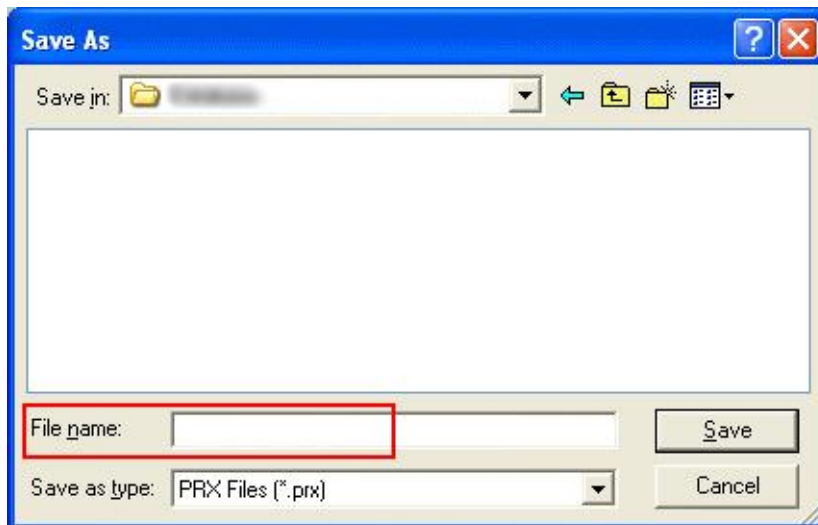
(3) Make sure that the [Device] in the "Transfer Settings Information" is set to [USB]. If not, click the [Transfer Setting] button to open the "Transfer Setting" dialog box. Select [USB] in the Communication Port Settings field and click [OK].



(4) Start GP-Pro EX Transfer Tool and click the [Receive Project] button.

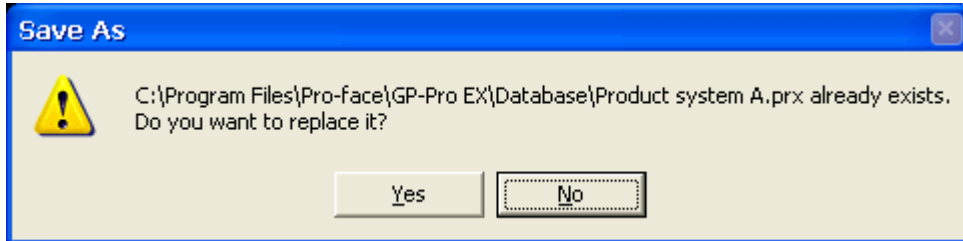


(5) Click [Receive Project], and the following dialog box will appear. Specify a place to save the received data in and a project file name, and then click [Save] to start transfer.

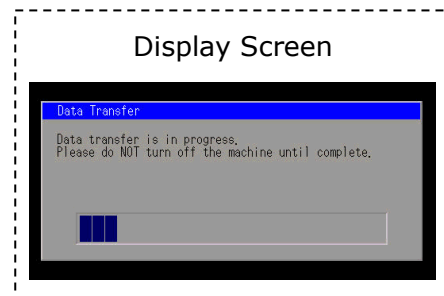
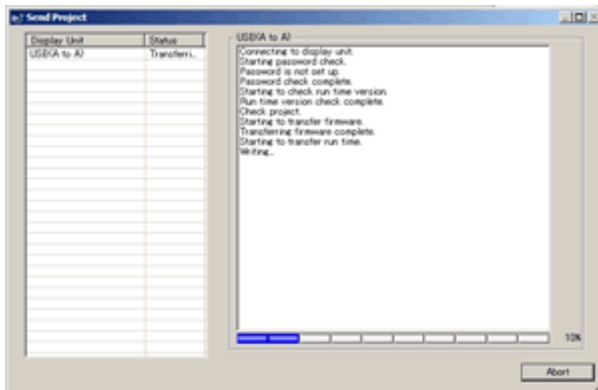


NOTE

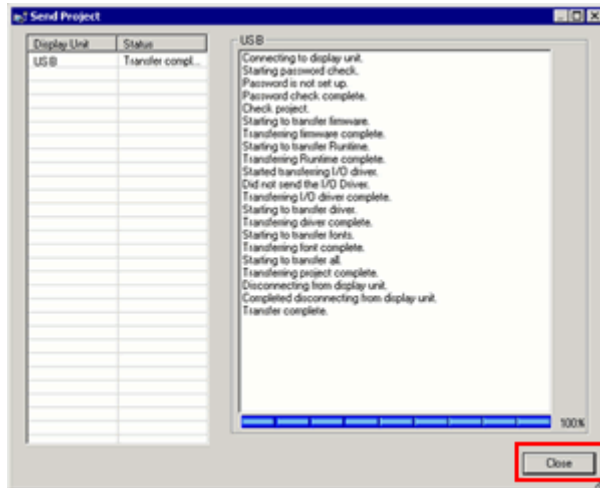
When a file exists, the window that confirms whether or not to overwrite the file is displayed.



- (6) The following dialog box appears during transfer and you can check the communication status. (The display unit enters the Transferring mode and communication with the device such as a PLC is terminated.)



- (7) When transfer is completed, the status displayed in the dialog box will change from [Transferring] to [Complete Transfer]. Click [Close] to close the dialog box.



- (8) Close the Transfer Tool.

3.4 Change the Display Unit Type

Open the received project file (*.prx) of GP/ST-3200 series on GP-Pro EX and change the display unit type to GP4000 series.

- (1) Open the received project file (*.prx) on GP-Pro EX.
- (2) Click [System Settings]->[Display]->[Change Display] in [Project] menu and change the Display Unit type to the replacement model.
- (3) Click [Project]->[Save As] and save the changed project file.

3.5 Transfer screen data to GP4000 series

Transfer the project file after display unit type change to GP4000 series.

You can transfer data to GP4000 series via;

- An USB transfer cable (model: CA3-USBCB-01)
- An USB data transfer cable (model: ZC9USCBMB1)
- A commercial USB cable (USB Type A/mini B)
- An USB storage device
- Ethernet

But this section explains, as an example, how to transfer screen data via an USB transfer cable (model: CA3-USBCB-01).



PC



USB transfer cable
(CA3-USBCB-01)



GP

- (1) Connect your PC and the GP unit of GP4000 series with an USB transfer cable. If the driver of the cable has not been installed on you PC, a dialog box will appear. Please follow the instructions.

NOTE

- The "Hardware Installation" dialog box as follows may appear during installing the driver of a USB depending on the security level of Windows® XP. Click [Continue Anyway] to start installing the driver. When installation is completed, click [Finish].

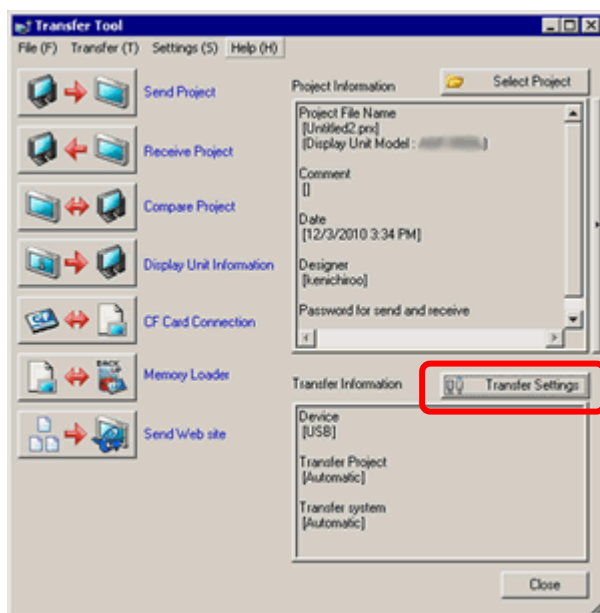


- If the following symptoms appear on Microsoft Windows® 7, go to updating "USB Data Transfer Driver" on [OtasukePro!] for download. (http://www.pro-face.com/otasuke/download/freesoft/gpproex_transfer.htm)
 - An error occurs when GP-Pro EX or Transfer Tool is installed
 - An error occurs when data is transferred via a USB transfer cable (model: CA3-USBCB-01).

- (2) Turn on the power of GP4000 series. The "Initial Start Mode" screen will appear on the display unit. After transferring a project file once, this screen will not appear again.



- (3) On the GP-Pro EX's State Toolbar, click the [Transfer Project] icon to open the Transfer Tool.

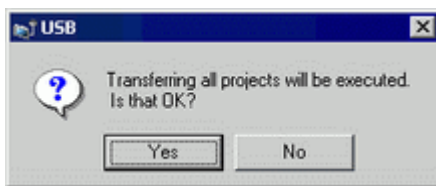


To transfer a different project file, click the [Select Project] button and select a project file.

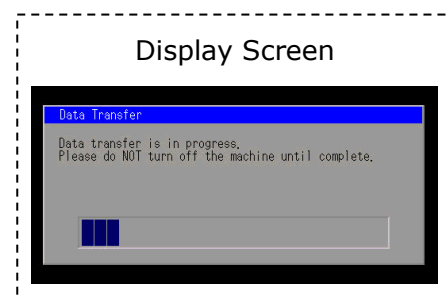
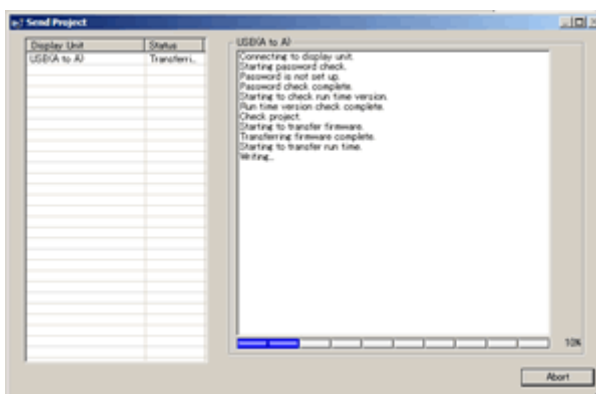
- (4) Make sure that the [Device] in the "Transfer Settings Information" is set to [USB]. If not, click the [Transfer Setting] button to open the "Transfer Setting" dialog box. Select [USB] in the Communication Port Settings field and click [OK].



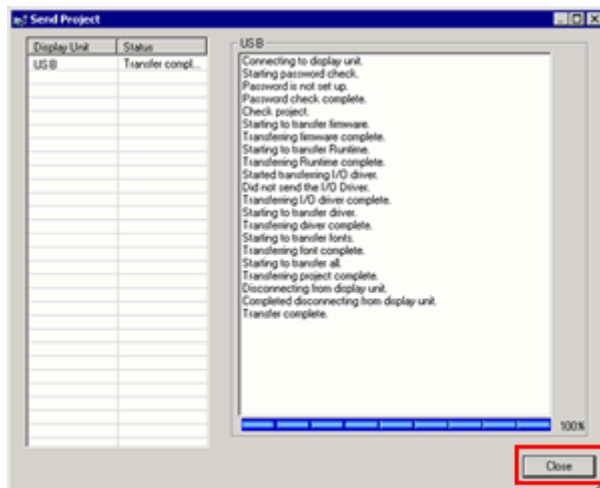
- (5) Click [Send Project] to start transfer. When the following dialog box appears, click [Yes]. This dialog box doesn't appear when the same project file is sent again.



- (6) The following dialog box appears during transfer and you can check the communication status. (The display unit enters the Transferring mode and communication with the device such as a PLC is terminated.)



- (7) When transfer is completed, the status displayed in the dialog box will change from [Transferring] to [Complete Transfer]. Click [Close] to close the dialog box.



The display unit will be reset and a screen of the transferred project file will be displayed.

- (8) Close the Transfer Tool.
(9) Click the [X] mark on top right of the screen or [Project]->[Exit] to close GP-Pro EX.

3.6 Differences of software

Some functions supported by GP/ST-3200 series are not supported by GP4000 series. For details of the supported parts and functions, refer to [Supported Features] of GP-Pro EX Reference Manual

(<http://www.pro-face.com/otasuke/files/manual/gpproex/new/refer/gpproex.htm>).

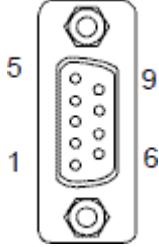
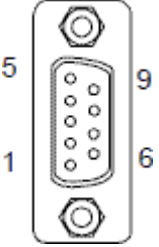
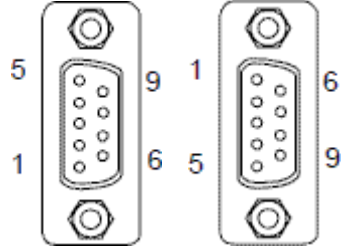
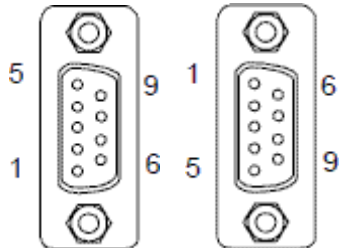
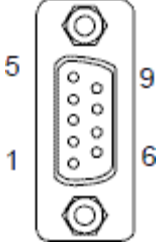
Chapter 4 Communication with Device/PLC

4.1 Drivers

More connectable drivers will be added.

For the devices/PLC each driver supports, see [Connectable Devices]
(<http://www.pro-face.com/product/soft/gpproex/driver/driver.html>).

4.2 Shapes of COM ports

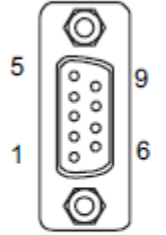
	GP-3200T/A	ST-3211A/ST-3201A	GP4000 series							
COM1	D-Sub 9 pin (plug) RS-232C/422	D-Sub 9 pin (plug) RS-232C	D-Sub 9 pin							
			 <table border="1"> <tr> <td>GP-4201T</td> <td>RS-232C/422/485</td> <td rowspan="2">Plug</td> </tr> <tr> <td>GP-4201TW</td> <td>RS-232C</td> </tr> <tr> <td>GP-4203T</td> <td>RS-485 for MPI</td> <td>Socket</td> </tr> </table>	GP-4201T	RS-232C/422/485	Plug	GP-4201TW	RS-232C	GP-4203T	RS-485 for MPI
GP-4201T	RS-232C/422/485	Plug								
GP-4201TW	RS-232C									
GP-4203T	RS-485 for MPI	Socket								
COM2	-	D-Sub 9 pin	D-Sub 9 pin (plug) RS-422/485							
		 <table border="1"> <tr> <td>ST-3211A</td> <td>RS-485 For MPI</td> <td>Socket</td> </tr> <tr> <td>ST-3201A</td> <td>RS-422/485</td> <td>Plug</td> </tr> </table>	ST-3211A	RS-485 For MPI	Socket	ST-3201A	RS-422/485	Plug	 <p>*For GP-4201TW only</p>	
ST-3211A	RS-485 For MPI	Socket								
ST-3201A	RS-422/485	Plug								

4.3 Signals of COM ports

4.3.1 Signals of COM1

For GP-3200T/A

RS-232C (plug)

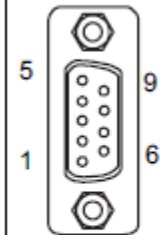
Pin Connection	Pin No.	RS-232C		
		Signal Name	Direction	Meaning
 <p>(GP unit side)</p>	1	CD	Input	Carrier Detect
	2	RD(RXD)	Input	Receive Data
	3	SD(TXD)	Output	Send Data
	4	ER(DTR)	Output	Data Terminal Ready
	5	SG	-	Signal Ground
	6	DR(DSR)	Input	Data Set Ready
	7	RS(RTS)	Output	Request to Send
	8	CS(CTS)	Input	Send possible
	9	CI(RI)/VCC	Input/-	Called Status Display +5V±5% Output 0.25A ^{*1}
	Shell	FG	-	Frame Ground (Common with SG)

*1: RI and VICC of Pin 9 are switched on the software.

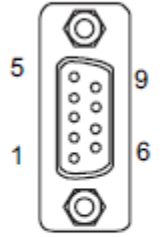
VCC Output is not protected from overcurrent.

Please follow the current rating to avoid false operation or breakdown.

RS-422/485 (plug)

Pin Connection	Pin No.	RS-422/RS-485		
		Signal Name	Direction	Meaning
 <p>(GP unit side)</p>	1	RDA	Input	Receive Data A (+)
	2	RDB	Input	Receive Data B (-)
	3	SDA	Output	Send Data A (+)
	4	ERA	Output	Data Terminal Ready A (+)
	5	SG	-	Signal Ground
	6	CSB	Input	Send Possible B (-)
	7	SDB	Output	Send Data B (-)
	8	CSA	Input	Send Possible A (+)
	9	ERB	Output	Data Terminal Ready B (-)
	Shell	FG	-	Frame Ground (Common with SG)

For ST-3211A/3201A
RS-232C (plug)

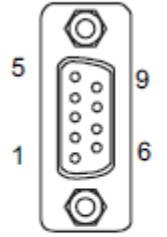
Pin Connection	Pin No.	RS-232C		
		Signal Name	Direction	Meaning
 <p>(GP unit side)</p>	1	CD	Input	Carrier Detect
	2	RD(RXD)	Input	Receive Data
	3	SD(TXD)	Output	Send Data
	4	ER(DTR)	Output	Data Terminal Ready
	5	SG	-	Signal Ground
	6	DR(DSR)	Input	Data Set Ready
	7	RS(RTS)	Output	Request to Send
	8	CS(CTS)	Input	Send possible
	9	CI(RI)/VCC	Input/-	Called Status Display +5V±5% Output 0.25A ^{*1}
	Shell	FG	-	Frame Ground (Common with SG)

*1: RI and VCC of Pin 9 are switched on the software.

VCC Output is not protected from overcurrent.

Please follow the current rating to avoid false operation or breakdown.

For GP-4201T
RS-232C (plug)

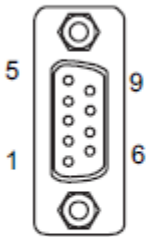
Pin Connection	Pin No.	RS-232C		
		Signal Name	Direction	Meaning
 <p>(GP unit side)</p>	1	CD	Input	Carrier Detect
	2	RD(RXD)	Input	Receive Data
	3	SD(TXD)	Output	Send Data
	4	ER(DTR)	Output	Data Terminal Ready
	5	SG	-	Signal Ground
	6	DR(DSR)	Input	Data Set Ready
	7	RS(RTS)	Output	Request to Send
	8	CS(CTS)	Input	Send possible
	9	CI(RI)/VCC	Input/-	Called Status Display +5V±5% Output 0.25A ^{*1}
	Shell	FG	-	Frame Ground (Common with SG)

*1: RI and VICC of Pin 9 are switched on the software.

VCC Output is not protected from overcurrent.

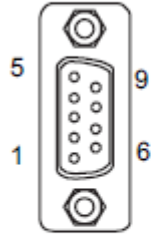
Please follow the current rating to avoid false operation or breakdown.

RS-422/485 (plug)

Pin Connection	Pin No.	RS-422/RS-485		
		Signal Name	Direction	Meaning
 <p>(GP unit side)</p>	1	RDA	Input	Receive Data A (+)
	2	RDB	Input	Receive Data B (-)
	3	SDA	Output	Send Data A (+)
	4	ERA	Output	Data Terminal Ready A (+)
	5	SG	-	Signal Ground
	6	CSB	Input	Send Possible B (-)
	7	SDB	Output	Send Data B (-)
	8	CSA	Input	Send Possible A (+)
	9	ERB	Output	Data Terminal Ready B (-)
	Shell	FG	-	Frame Ground (Common with SG)

GP-4201TW

RS-232C (plug)

Pin Connection	Pin No.	RS-232C		
		Signal Name	Direction	Meaning
 <p>(GP unit side)</p>	1	CD	Input	Carrier Detect
	2	RD(RXD)	Input	Receive Data
	3	SD(TXD)	Output	Send Data
	4	ER(DTR)	Output	Data Terminal Ready
	5	SG	-	Signal Ground
	6	DR(DSR)	Input	Data Set Ready
	7	RS(RTS)	Output	Request to Send
	8	CS(CTS)	Input	Send possible
	9	CI(RI)/VCC	Input/-	Called Status Display +5V±5% Output 0.25A ^{*1}
	Shell	FG	-	Frame Ground (Common with SG)

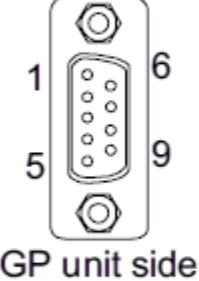
*1: RI and VCC of Pin 9 are switched on the software.

VCC Output is not protected from overcurrent.

Please follow the current rating to avoid false operation or breakdown.

For GP-4203T

RS-485 MPI (socket)

Pin Connection	Pin No.	RS-485 (isolation)		
		Signal Name	Direction	Meaning
 <p>GP unit side</p>	1	NC	–	no connection
	2	NC	–	no connection
	3	Line A	Input/Output	Data A (+)
	4	RS(RTS)	Output	Request to Send
	5	SG	–	Signal Ground
	6	VCC	–	+5V±5% External Output ⁽¹⁾
	7	NC	–	no connection
	8	Line B	Input/Output	Data B (-)
	9	NC	–	no connection
	Shell	FG	–	Frame Ground ⁽²⁾ (Not connected with SG)

*1: You can supply power to the Siemens PROFIBUS connector only. You cannot supply power to the device/PLC.

*2: The SG and FG terminals are isolated.

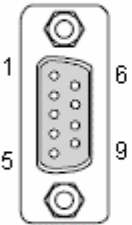
4.3.2 Signals of COM2

For GP-3200T/A

None

For ST-3211A

RS-485 MPI (socket)


Pin Arrangement	Pin No.	RS485 (MPI only)		
		Signal Name	Direction	Meaning
 <p>(female)</p>	1	NC	-	-
	2	NC	-	-
	3	LINE(+)	Input/ Output	LINE(+)
	4	RS(RTS)	Output	Request to Send
	5	SG	-	Signal Ground ^{*1}
	6	5V	-	5V external output ^{*2*3}
	7	NC	-	-
	8	LINE(-)	Input/ Output	LINE(-)
	9	NC	-	-
	Shell	FG	-	Frame Ground ^{*1} (Common with SG)

*1: The SG and FG terminals are isolated.

*2: You can supply power to the Siemens PROFIBUS connector only. You cannot supply power to the device/PLC.

For ST-3201A

RS-422/485 (plug)

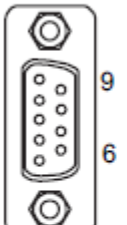
Pin Arrangement	Pin No.	RS422/RS485 *		
		Signal Name	Direction	Meaning
 <p>(male)</p>	1	RDA	Input	Receive Data A(+)
	2	RDB	Input	Receive Data B(-)
	3	SDA	Output	Send Data A(+)
	4	ERA	Output	Data Terminal Ready A(+)
	5	SG	-	Signal Ground
	6	CSB	Input	Send Possible B(-)
	7	SDB	Output	Send Data B(-)
	8	CSA	Input	Send Possible A(+)
	9	ERB	Output	Data Terminal Ready B(-)
	Shell	FG	-	Frame Ground (Common with SG)

For GP-4201T/4203T

None

For GP-4201TW

RS-422/485 (plug)

Pin Connection	Pin No.	RS-422/RS-485		
		Signal Name	Direction	Meaning
 <p>(GP unit side)</p>	1	RDA	Input	Receive Data A (+)
	2	RDB	Input	Receive Data B (-)
	3	SDA	Output	Send Data A (+)
	4	ERA	Output	Data Terminal Ready A (+)
	5	SG	-	Signal Ground
	6	CSB	Input	Send Possible B (-)
	7	SDB	Output	Send Data B (-)
	8	CSA	Input	Send Possible A (+)
	9	ERB	Output	Data Terminal Ready B (-)
	Shell	FG	-	Frame Ground (Common with SG)

4.4 Multilink Connection

For the communication drivers that support serial multi-link, see [[Which drivers support serial multilink communication?](#)]

(http://www.pro-face.com/otasuke/files/manual/gpproex/new/device/com_mlnk.htm).

4.5 Cable Diagram at the time of replacement

The connection cable for GP/ST-3200 series can be used for GP4000 series.

But please note that **there are precautions and restrictions as described below when replacing ST-3211A.**

When ST-3211A is used,

- When RS-485 (MPI) devices are connected to COM2, **if ST-3211A is replaced with GP-4203T, they are connected to COM1. (The cable diagram can be used).**
- Before GP4000 series is connected, please check the communication settings with GP-Pro EX Device/PLC Connection Manual just in case.
(<http://www.pro-face.com/otasuke/files/manual/gpproex/new/device/index.htm>)