

Panel Cutout Adapter Installation Guide <http://www.pro-face.com/>

This product is a conversion kit for replacing your current display unit with a display unit that has smaller panel cutout dimensions.

| Before | After |
|---|---|
| W 204.5 x H 159.5 mm (W 8.05 x H 6.28 in.) | W 190 x H 135 mm (W 7.48 x H 5.31 in.) |

Package Contents

- (1) Attachment x 1
- (2) Attachment gasket x 1
- (3) M4 Hex nut x 6 (two spares)
- (4) Installation Guide x 1 <this guide>

This product has been carefully packed, with special attention to quality. However, should you find anything damaged or missing, please contact your local distributor immediately.

Specifications

| Item | | Specified Values |
|---------------------------|-------------------------|---|
| Installation Requirements | Protective Construction | Protection: Equivalent to IP65 (Front face of installed unit) |
| | Weight | 0.2 kg (0.44 lb) or less (Attachment only) |
| | External Dimensions | W 218 x H 173 x D 17 mm (W 8.58 x H 6.81 x D 0.67 in.) |
| Color | | Silver metallic |
| Material | | Steel plate |

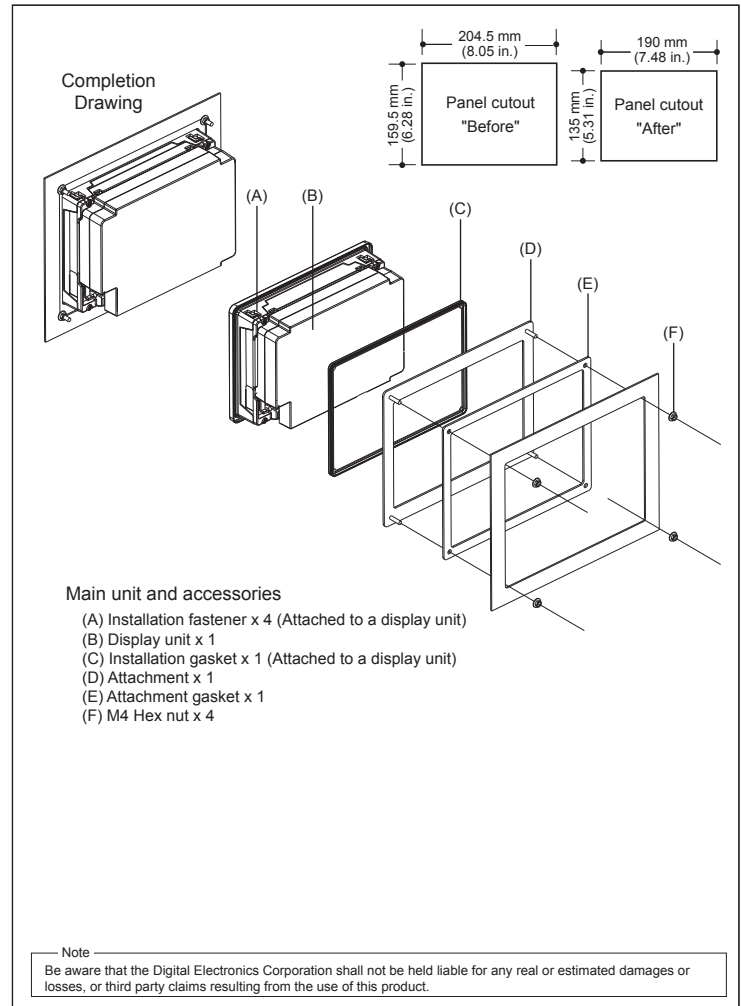
Installation

- Step 1. Make sure that the installation gasket (C) is fitted properly to the display unit (B).
- Step 2. Install the attachment gasket (E) to the attachment (D) correctly.
- Step 3. Attach the display unit to the attachment prepared in Step 2 using the installation fasteners (A). Tighten the fastener screws in the right direction using a Phillips screwdriver. For a sufficiently splash-proof installation, tighten the screws to a torque of (4.4 lb·in).
- Step 4. Insert the attachment prepared in Step 3 into the cutout in the installation panel of the target model by matching the threaded portion of the plate with the four corners of the panel.
- Step 5. Confirm the attachment gasket is installed correctly.
- Step 6. Tighten the M4 hex nuts (F) evenly. For a sufficiently splash-proof installation, tighten the screws to a torque of 0.5 N·m (4.4 lb·in).

NOTICE

BROKEN ENCLOSURE

Do not exert more than 0.5 N·m (4.4 lb·in) of torque when tightening the screws and nuts.
Failure to follow these instructions can result in equipment damage.



Main unit and accessories

- (A) Installation fastener x 4 (Attached to a display unit)
- (B) Display unit x 1
- (C) Installation gasket x 1 (Attached to a display unit)
- (D) Attachment x 1
- (E) Attachment gasket x 1
- (F) M4 Hex nut x 4

Note

Be aware that the Digital Electronics Corporation shall not be held liable for any real or estimated damages or losses, or third party claims resulting from the use of this product.