



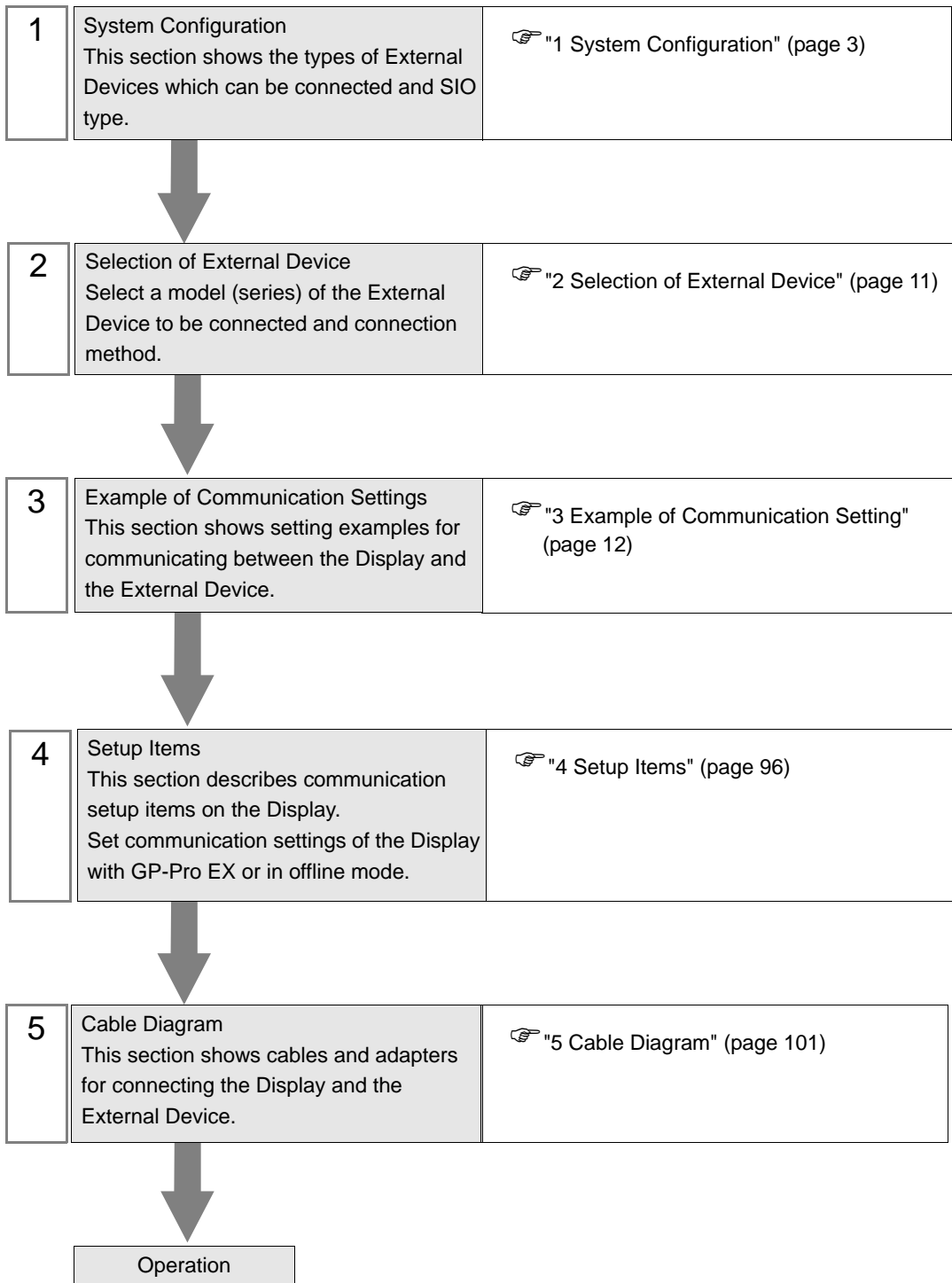
# H Series SIO Driver

1	System Configuration.....	3
2	Selection of External Device .....	11
3	Example of Communication Setting.....	12
4	Setup Items.....	96
5	Cable Diagram .....	101
6	Supported Device.....	213
7	Device Code and Address Code.....	220
8	Error Messages.....	223

## PREFACE

This manual describes how to connect the Display and the External Device.

In this manual, the connection procedure will be described by following the below sections:



# 1 System Configuration

The system configuration in the case when the External Device and the Display are connected is shown.

Series	CPU	Link I/F	SIO Type	Setting Example	Cable Diagram	
H (Procedure 1)	H-20, H-28, H-40, H-64	Port on the CPU unit	RS232C	Setting Example 1 (page 12)	Cable Diagram 1 (page 101)	
	H-200(CPU-02H) <sup>*1</sup> H-250(CPU21-02H) <sup>*1</sup> H-252B(CPU22-02HB) <sup>*1</sup>	Port on the CPU unit	RS232C	Setting Example 1 (page 12)	Cable Diagram 1 (page 101)	
	H-252C(CPU22-02HC) <sup>*1 *2</sup>	Port on the CPU unit	RS232C	Setting Example 1 (page 12)	Cable Diagram 1 (page 101)	
	H-300(CPU-03Ha) <sup>*1</sup> H-700(CPU-07Ha) <sup>*1</sup> H-2000(CPU-20Ha) <sup>*1</sup> H-2002(CPU2-20H) <sup>*1</sup>	COMM-H COMM-2H	Port on the CPU unit	RS232C	Setting Example 1 (page 12)	Cable Diagram 1 (page 101)
			RS232C	Setting Example 2 (page 14)	Cable Diagram 1 (page 101)	
			RS422/485 (4wire)	Setting Example 3 (page 16)	Cable Diagram 2 (page 105)	
	H-302(CPU2-03H) <sup>*1</sup> H-702(CPU2-07H) <sup>*1</sup> H-4010(CPU3-40H) <sup>*1</sup> H-1002(CPU2-10H) <sup>*1</sup>	COMM-2H	Port on the CPU unit	RS232C	Setting Example 1 (page 12)	Cable Diagram 1 (page 101)
			RS232C	Setting Example 2 (page 14)	Cable Diagram 1 (page 101)	
			RS422/485 (4wire)	Setting Example 3 (page 16)	Cable Diagram 2 (page 105)	
	H (Procedure 2)	H-300(CPU-03Ha) H-700(CPU-07Ha) H-2000(CPU-20Ha) H-302(CPU2-03H) H-702(CPU2-07H) H-2002(CPU2-20H) H-4010(CPU3-40H) H-1002(CPU2-10H)	COMM-2H	RS232C	Setting Example 4 (page 18)	Cable Diagram 1 (page 101)
RS422/485 (4wire)				Setting Example 5 (page 20)	Cable Diagram 2 (page 105)	

Series	CPU	Link I/F	SIO Type	Setting Example	Cable Diagram
EH-150 (Procedure 1)	EH-150(EH-CPU104) EH-150(EH-CPU104A) EH-150(EH-CPU208) EH-150(EH-CPU208A) EH-150(EH-CPU308) EH-150(EH-CPU316)	Serial port 1 on the CPU unit Serial port 2 on the CPU unit	RS232C	Setting Example 6 (page 22)	Cable Diagram 3 (page 112)
	EH-150(EH-CPU308A) EH-150(EH-CPU316A) EH-150(EH-CPU448) EH-150(EH-CPU448A) EH-150(EH-CPU516) EH-150(EH-CPU548)	Serial port 1 on the CPU unit	RS232C	Setting Example 6 (page 22)	Cable Diagram 3 (page 112)
			RS422/485 (4wire)	Setting Example 7 (page 24)	Cable Diagram 4 (page 116)
			RS422/485 (2wire)	Setting Example 8 (page 26)	Cable Diagram 5 (page 123)
	EH-150(EH-CPU516) EH-150(EH-CPU548)	Serial port 2 on the CPU unit	RS232C	Setting Example 6 (page 22)	Cable Diagram 3 (page 112)
		Port1 on the EH-SIO unit* <sup>3</sup>	RS232C	Setting Example 9 (page 28)	Cable Diagram 12 (page 192)
			RS232C* <sup>4</sup>	Setting Example 10 (page 30)	Cable Diagram 12 (page 192)
			RS422/485 (4wire)* <sup>4</sup>	Setting Example 11 (page 32)	Cable Diagram 6 (page 135)
	EH-150(EH-CPU516) EH-150(EH-CPU548)	Port2 on the EH-SIO unit* <sup>3</sup>	RS422/485 (2wire)* <sup>4</sup>	Setting Example 12 (page 34)	Cable Diagram 7 (page 142)

Series	CPU	Link I/F	SIO Type	Setting Example	Cable Diagram
EH-150 (Procedure 2)	EH-150(EH-CPU104A) EH-150(EH-CPU208A)	Serial port 1 on the CPU unit	RS232C	Setting Example 13 (page 36)	Cable Diagram 3 (page 112)
	EH-150(EH-CPU308A) EH-150(EH-CPU316A) EH-150(EH-CPU448) EH-150(EH-CPU448A) EH-150(EH-CPU516) EH-150(EH-CPU548)	Serial port 1 on the CPU unit	RS232C	Setting Example 13 (page 36)	Cable Diagram 3 (page 112)
			RS422/485 (4wire)	Setting Example 14 (page 38)	Cable Diagram 4 (page 116)
			RS422/485 (2wire)	Setting Example 15 (page 40)	Cable Diagram 5 (page 123)
	EH-150(EH-CPU516) EH-150(EH-CPU548)	Port1 on the EH-SIO unit*3	RS232C	Setting Example 16 (page 42)	Cable Diagram 12 (page 192)
		Port2 on the EH-SIO unit*3	RS232C*4	Setting Example 17 (page 44)	Cable Diagram 12 (page 192)
			RS422/485 (4wire)*4	Setting Example 18 (page 46)	Cable Diagram 6 (page 135)
			RS422/485 (2wire)*4	Setting Example 19 (page 48)	Cable Diagram 7 (page 142)
MICRO-EH (Procedure 1)	MICRO-EH(EH-D10□□□)*5 MICRO-EH(EH-A14□□□)*5 MICRO-EH(EH-D14□□□)*5	Port 1 on the CPU unit	RS232C	Setting Example 20 (page 50)	Cable Diagram 3 (page 112)
	MICRO-EH(EH-A23□□□)*5 MICRO-EH(EH-D23□□□)*5 MICRO-EH(EH-A28□□□)*5 MICRO-EH(EH-D28□□□)*5	Port 1 on the CPU unit	RS232C	Setting Example 20 (page 50)	Cable Diagram 3 (page 112)
		Port 2 on the CPU unit	RS422/485 (4wire)	Setting Example 21 (page 52)	Cable Diagram 8 (page 154)
			RS422/485 (2wire)	Setting Example 22 (page 54)	Cable Diagram 9 (page 161)
	MICRO-EH(EH-A64□□□)*5 MICRO-EH(EH-D64□□□)*5 MICRO-EH(EH-A40□□□)*5 MICRO-EH(EH-D40□□□)*5 MICRO-EH(EH-A20□□□)*5 MICRO-EH(EH-D20□□□)*5	Port on the CPU unit	RS232C	Setting Example 20 (page 50)	Cable Diagram 3 (page 112)
		EH-OB232*6	RS232C	Setting Example 23 (page 56)	Cable Diagram 3 (page 112)
		EH-OB485*7	RS422/485 (4wire)	Setting Example 24 (page 58)	Cable Diagram 10 (page 173)
			RS422/485 (2wire)	Setting Example 25 (page 60)	Cable Diagram 11 (page 180)

Series	CPU	Link I/F	SIO Type	Setting Example	Cable Diagram	
MICRO-EH (Procedure 2)	MICRO-EH(EH-D10□□□) <sup>*5</sup> MICRO-EH(EH-A14□□□) <sup>*5</sup> MICRO-EH(EH-D14□□□) <sup>*5</sup>	Port 1 on the CPU unit	RS232C	Setting Example 26 (page 62)	Cable Diagram 3 (page 112)	
	MICRO-EH(EH-A23□□□) <sup>*5</sup> MICRO-EH(EH-D23□□□) <sup>*5</sup> MICRO-EH(EH-A28□□□) <sup>*5</sup> MICRO-EH(EH-D28□□□) <sup>*5</sup>	Port 1 on the CPU unit	RS232C	Setting Example 26 (page 62)	Cable Diagram 3 (page 112)	
		Port 2 on the CPU unit	RS422/485 (4wire)	Setting Example 27 (page 64)	Cable Diagram 8 (page 154)	
			RS422/485 (2wire)	Setting Example 28 (page 66)	Cable Diagram 9 (page 161)	
		MICRO-EH(EH-A64□□□) <sup>*5</sup> MICRO-EH(EH-D64□□□) <sup>*5</sup> MICRO-EH(EH-A40□□□) <sup>*5</sup> MICRO-EH(EH-D40□□□) <sup>*5</sup> MICRO-EH(EH-A20□□□) <sup>*5</sup> MICRO-EH(EH-D20□□□) <sup>*5</sup>	Port on the CPU unit	RS232C	Setting Example 26 (page 62)	Cable Diagram 3 (page 112)
	EH-OB232 <sup>*6</sup>		RS232C	Setting Example 29 (page 68)	Cable Diagram 3 (page 112)	
	EH-OB485 <sup>*7</sup>		RS422/485 (4wire)	Setting Example 30 (page 70)	Cable Diagram 10 (page 173)	
			RS422/485 (2wire)	Setting Example 31 (page 72)	Cable Diagram 11 (page 180)	
	Web controller (Procedure 1 and 2)	EH-WD10DR	Serial port on the CPU unit	RS232C	Setting Example 32 (page 74)	Cable Diagram 3 (page 112)
		EH-WA23DR	Serial port on the CPU unit	RS232C	Setting Example 40 (page 90)	Cable Diagram 3 (page 112)
RS422/485 (4wire)				Setting Example 41 (page 92)	Cable Diagram 13 (page 194)	
RS422/485 (2wire)				Setting Example 42 (page 94)	Cable Diagram 14 (page 201)	

Series	CPU	Link I/F	SIO Type	Setting Example	Cable Diagram
EHV (Procedure 1 and 2)	EHV-CPU128 EHV-CPU64 EHV-CPU32 EHV-CPU16	Serial port on the CPU unit	RS232C	Setting Example 33 (page 76)	Cable Diagram 3 (page 112)
			RS422/485 (4wire)	Setting Example 34 (page 78)	Cable Diagram 4 (page 116)
			R422/S485 (2wire)	Setting Example 35 (page 80)	Cable Diagram 5 (page 123)
		Port 1 on the EH-SIO unit*8	RS232C	Setting Example 36 (page 82)	Cable Diagram 12 (page 192)
		Port 2 on the EH-SIO unit*8	RS232C	Setting Example 37 (page 84)	Cable Diagram 12 (page 192)
			RS422/485 (4wire)	Setting Example 38 (page 86)	Cable Diagram 6 (page 135)
			RS422/485 (2wire)	Setting Example 39 (page 88)	Cable Diagram 7 (page 142)

\*1 Connect to the peripheral port on the CPU module.

\*2 When the peripheral port 2 on the CPU unit is used, CNCOM-05 conversion cable by Hitachi IES Co., Ltd. needs to be used between the 8 pin connector and D-sub 15 pin connector.

\*3 Version 2.0 or later of the EH-SIO software supports Procedure 1; version 2.1 or later supports Procedure 2. Furthermore, only EH-CPU548(Ver.E402 or later)/EH-CPU516(Ver.E202 or later) can use EH-SIO.

\*4 Bit8 is used for interface selection of Port2 (RS232C or RS422/485).

\*5 Model No. of the External Device "□" differs depending on the specification of each External Device.

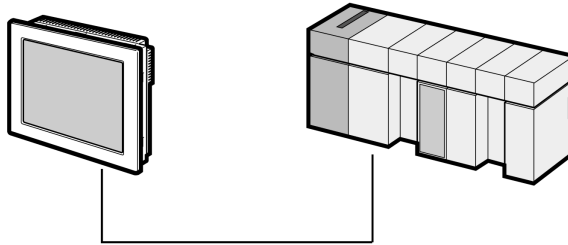
\*6 Communication board (RS232C).Can be used in the CPU of which version is Ver.0101 or later.

\*7 Communication board (RS422/RS485).Can be used in the CPU of which version is Ver.0100 or later.

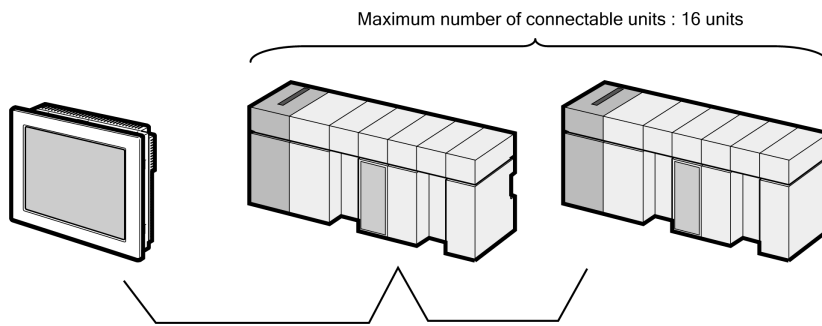
\*8 Version 2.0 or later of the EH-SIO software supports Procedure 1; version 2.1 or later supports Procedure 2.

## ■ Connection Configuration

- 1:1 Connection



- 1:n Connection





## ■ IPC COM Port

When connecting IPC with an External Device, the COM port used depends on the series and SIO type. Please refer to the IPC manual for details.

### Usable port

Series	Usable Port		
	RS-232C	RS-422/485(4 wire)	RS-422/485(2 wire)
PS-2000B	COM1 <sup>*1</sup> , COM2, COM3 <sup>*1</sup> , COM4	-	-
PS-3450A, PS-3451A, PS3000-BA, PS3001-BD	COM1, COM2 <sup>*1*2</sup>	COM2 <sup>*1*2</sup>	COM2 <sup>*1*2</sup>
PS-3650A (T41 model), PS-3651A (T41 model)	COM1 <sup>*1</sup>	-	-
PS-3650A (T42 model), PS-3651A (T42 model)	COM1 <sup>*1*2</sup> , COM2	COM1 <sup>*1*2</sup>	COM1 <sup>*1*2</sup>
PS-3700A (Pentium®4-M) PS-3710A	COM1 <sup>*1</sup> , COM2 <sup>*1</sup> , COM3 <sup>*2</sup> , COM4	COM3 <sup>*2</sup>	COM3 <sup>*2</sup>
PS-3711A	COM1 <sup>*1</sup> , COM2 <sup>*2</sup>	COM2 <sup>*2</sup>	COM2 <sup>*2</sup>
PS4000 <sup>*3</sup>	COM1, COM2	-	-
PL3000	COM1 <sup>*1*2</sup> , COM2 <sup>*1</sup> , COM3, COM4	COM1 <sup>*1*2</sup>	COM1 <sup>*1*2</sup>

\*1 The RI/5V can be switched. Use the IPC's switch to change if necessary.

\*2 Set up the SIO type with the DIP Switch. Please set up as follows according to SIO type to be used.

\*3 When making communication between an External Device and COM port on the Expansion slot, only RS-232C is supported. However, ER (DTR/CTS) control cannot be executed because of the specification of COM port.

For connection with External Device, use user-created cables and disable Pin Nos. 1, 4, 6 and 9. Please refer to the IPC manual for details of pin layout.

### DIP Switch setting: RS-232C

DIP Switch	Setting	Description
1	OFF <sup>*1</sup>	Reserved (always OFF)
2	OFF	SIO type: RS-232C
3	OFF	
4	OFF	Output mode of SD (TXD) data: Always output
5	OFF	Terminal resistance (220Ω) insertion to SD (TXD): None
6	OFF	Terminal resistance (220Ω) insertion to RD (RXD): None
7	OFF	Short-circuit of SDA (TXA) and RDA (RXA): Not available
8	OFF	Short-circuit of SDB (TXB) and RDB (RXB): Not available
9	OFF	RS (RTS) Auto control mode: Disabled
10	OFF	

\*1 When using PS-3450A, PS-3451A, PS3000-BA and PS3001-BD, turn ON the set value.

## DIP Switch setting: RS-422/485 (4 wire)

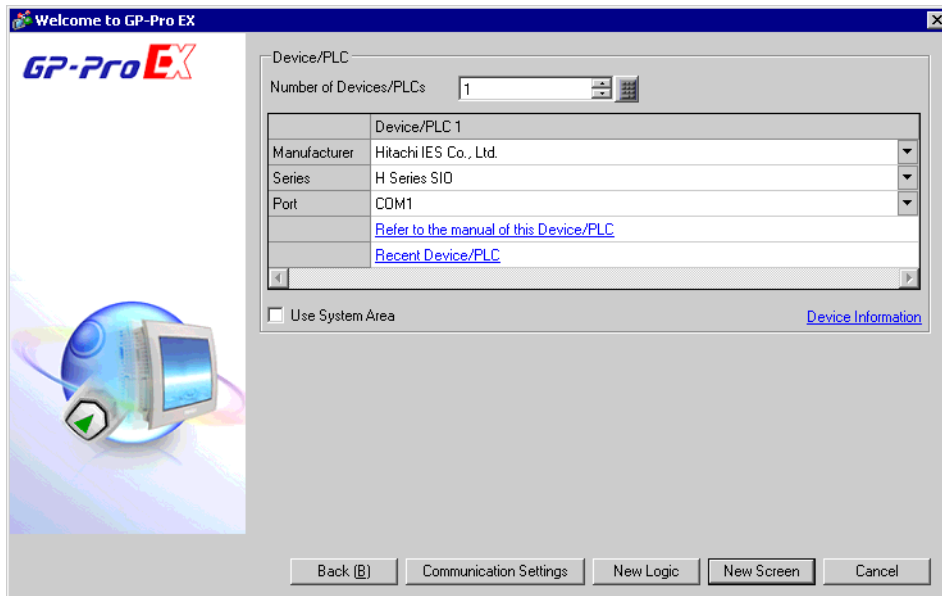
DIP Switch	Setting	Description
1	OFF	Reserved (always OFF)
2	ON	SIO type: RS-422/485
3	ON	
4	OFF	Output mode of SD (TXD) data: Always output
5	OFF	Terminal resistance (220Ω) insertion to SD (TXD): None
6	OFF	Terminal resistance (220Ω) insertion to RD (RXD): None
7	OFF	Short-circuit of SDA (TXA) and RDA (RXA): Not available
8	OFF	Short-circuit of SDB (TXB) and RDB (RXB): Not available
9	OFF	RS (RTS) Auto control mode: Disabled
10	OFF	

## DIP Switch setting: RS-422/485 (2 wire)

DIP Switch	Setting	Description
1	OFF	Reserved (always OFF)
2	ON	SIO type: RS-422/485
3	ON	
4	OFF	Output mode of SD (TXD) data: Always output
5	OFF	Terminal resistance (220Ω) insertion to SD (TXD): None
6	OFF	Terminal resistance (220Ω) insertion to RD (RXD): None
7	ON	Short-circuit of SDA (TXA) and RDA (RXA): Available
8	ON	Short-circuit of SDB (TXB) and RDB (RXB): Available
9	ON	RS (RTS) Auto control mode: Enabled
10	ON	

## 2 Selection of External Device

Select the External Device to be connected to the Display.



Setup Items	Setup Description
Number of Devices/PLCs	Enter an integer from 1 to 4 to define the number of Devices/PLCs to connect to the display.
Manufacturer	Select the manufacturer of the External Device to connect. Select "Hitachi IES Co., Ltd.".
Series	Select the External Device model (series) and the connection method. Select "H Series SIO". In System configuration, make sure the External Device you are connecting is supported by "H Series SIO". ☞ "1 System Configuration" (page 3)
Port	Select the Display port to connect to the External Device.
Use System Area	Check this option to synchronize the system data area of the Display and the device (memory) of the External Device. When synchronized, you can use the External Device's ladder program to switch the display or display the window on the Display. Cf. GP-Pro EX Reference Manual "LS Area (Direct Access Method Area)" This feature can also be set in GP-Pro EX or in the Display's offline mode. Cf. GP-Pro EX Reference Manual "System Settings [Display Unit] - [System Area] Settings Guide" Cf. Maintenance/Troubleshooting Guide "Main Unit - System Area Settings"

## 3 Example of Communication Setting

Examples of communication settings of the Display and the External Device, recommended by Pro-face, are shown.

### 3.1 Setting Example 1

#### ■ Settings of GP-Pro EX

##### ◆ Communication Settings

To display the setup screen, from the [Project] menu, point to [System Settings] and select [Device/PLC].

Device/PLC 1

Summary [Change Device/PLC](#)

Manufacturer  Series  Port

Text Data Mode  [Change](#)

Communication Settings

SID Type  RS232C  RS422/485(2wire)  RS422/485(4wire)

Speed

Data Length  7  8

Parity  NONE  EVEN  ODD

Stop Bit  1  2

Flow Control  NONE  ER(DTR/CTS)  XDN/XDFF

Timeout  (sec)

Retry

Wait To Send  (ms)

Procedure

RI / VCC  RI  VCC

In the case of RS232C, you can select the 9th pin to RI (Input) or VCC (5V Power Supply). If you use the Digital's RS232C Isolation Unit, please select it to VCC.


Device-Specific Settings

Allowable Number of Devices/PLCs 16 [Add Device](#)

No.	Device Name	Settings
1	PLC1	Series=H Series

**NOTE** • Setting value for Wait To Send differs depending on the External Device. Please refer to the manual of the External Device for more details.

### ◆ Device Setting

To display the [Individual Device Settings] dialog box, from [Device-Specific Settings] in the [Device/PLC] window, select the external device and click [Settings] .

To connect multiple External Devices, from [Device-Specific Settings] in the [Device/PLC] window, click [Add Device] to add another External Device.



### ■ Settings of External Device (Port on the CPU unit: H-4010 only)

Use the switch on the CPU unit for communication settings. After communication settings, turn ON the power of the External Device again to enable the setting. Please refer to the manual of the External Device for more details.

### ◆ Mode Setting Switch

- DIPSW1

DIP Switch	Settings	Description
SW03	OFF	Port 1 Transmission Speed: 19,200 bps
SW04	OFF	Port 2 Transmission Speed: 19,200 bps

**NOTE** • Other transmission speed settings are shown below.

DIP Switch	Settings	Description
SW03	ON	Port 1 Transmission Speed: 38,400 bps
SW04	ON	Port 2 Transmission Speed: 38,400 bps

## 3.2 Setting Example 2

### ■ Settings of GP-Pro EX

#### ◆ Communication Settings

To display the setup screen, from the [Project] menu, point to [System Settings] and select [Device/PLC].

Device/PLC 1

Summary [Change Device/PLC](#)

Manufacturer  Series  Port

Text Data Mode  [Change](#)

Communication Settings

SID Type  RS232C  RS422/485(2wire)  RS422/485(4wire)

Speed

Data Length  7  8

Parity  NONE  EVEN  ODD

Stop Bit  1  2

Flow Control  NONE  ER(DTR/CTS)  XON/XOFF

Timeout  (sec)

Retry

Wait To Send  (ms)

Procedure

RI / VCC  RI  VCC

In the case of RS232C, you can select the 9th pin to RI (Input) or VCC (5V Power Supply). If you use the Digital's RS232C Isolation Unit, please select it to VCC.


Device-Specific Settings

Allowable Number of Devices/PLCs  [Add Device](#)

No.  Device Name  Settings

- NOTE**
- Setting value for Wait To Send differs depending on the External Device. Please refer to the manual of the External Device for more details.

### ◆ Device Setting

To display the [Individual Device Settings] dialog box, from [Device-Specific Settings] in the [Device/PLC] window, select the external device and click [Settings] .

To connect multiple External Devices, from [Device-Specific Settings] in the [Device/PLC] window, click [Add Device] to add another External Device.



### ■ Settings of External Device(COMM-H, COMM-2H)

Use the switch on the I/F unit for communication settings. After communication settings, turn ON the power of the External Device again to enable the setting. Please refer to the manual of the External Device for more details.

#### ◆ Communication Setting Switch

DIP Switch	Settings	Description
01	OFF	Bit Length: 7 bits
02	ON	Baud Rate Transmission Speed: 19,200bps
03	ON	
04	ON	
05	ON	Parity Enable/Disable: Enable
06	ON	Parity Even/Odd: Even
07	OFF	Stop Bit Length: 1 bit
08	ON	Sum Check: Enable

#### ◆ Station Setting Rotary Switch

Rotary Switch	Settings	Description
x10	0	Station No. of External Device (tenth digit)
x1	0	Station No. of External Device (first digit)

#### ◆ Mode Setting Rotary Switch

Rotary Switch	Settings	Description
MODE	2	Procedure: Procedure 1

### 3.3 Setting Example 3

#### ■ Settings of GP-Pro EX

##### ◆ Communication Settings

To display the setup screen, from the [Project] menu, point to [System Settings] and select [Device/PLC].

Device/PLC 1

Summary [Change Device/PLC](#)

Manufacturer  Series  Port

Text Data Mode  [Change](#)

Communication Settings

SIO Type  RS232C  RS422/485(2wire)  RS422/485(4wire)

Speed

Data Length  7  8

Parity  NONE  EVEN  ODD

Stop Bit  1  2

Flow Control  NONE  ER(DTR/CTS)  XON/XOFF

Timeout  (sec)

Retry

Wait To Send  (ms)

Procedure

RI / VCC  RI  VCC

In the case of RS232C, you can select the 9th pin to RI (Input) or VCC (5V Power Supply). If you use the Digital's RS232C Isolation Unit, please select it to VCC.

Device-Specific Settings


Allowable Number of Devices/PLCs  [Add Device](#)

No.	Device Name	Settings
1	PLC1	Series=H Series, Station No.=0

- NOTE** • Setting value for Wait To Send differs depending on the External Device. Please refer to the manual of the External Device for more details.



### ◆ Device Setting

To display the [Individual Device Settings] dialog box, from [Device-Specific Settings] in the [Device/PLC] window, select the external device and click [Settings] .

To connect multiple External Devices, from [Device-Specific Settings] in the [Device/PLC] window, click [Add Device] to add another External Device.



### ■ Settings of External Device (COMM-H, COMM-2H)

Use the switch on the I/F unit for communication settings. After communication settings, turn ON the power of the External Device again to enable the setting. Please refer to the manual of the External Device for more details.

#### ◆ Communication Setting Switch

DIP Switch	Settings	Description
01	OFF	Bit Length: 7 bits
02	ON	Baud Rate Transmission Speed: 19,200bps
03	ON	
04	ON	
05	ON	Parity Enable/Disable: Enable
06	ON	Parity Even/Odd: Even
07	OFF	Stop Bit Length: 1 bit
08	ON	Sum Check: Enable

#### ◆ Station Setting Rotary Switch

Rotary Switch	Settings	Description
x10	0	Station No. of External Device (tenth digit)
x1	0	Station No. of External Device (first digit)

#### ◆ Mode Setting Rotary Switch

Rotary Switch	Settings	Description
MODE	2	Procedure: Procedure 1

## 3.4 Setting Example 4

### ■ Settings of GP-Pro EX

#### ◆ Communication Settings

To display the setup screen, from the [Project] menu, point to [System Settings] and select [Device/PLC].

Device/PLC 1

Summary [Change Device/PLC](#)

Manufacturer  Series  Port

Text Data Mode  [Change](#)

Communication Settings

SIO Type  RS232C  RS422/485(2wire)  RS422/485(4wire)

Speed

Data Length  7  8

Parity  NONE  EVEN  ODD

Stop Bit  1  2

Flow Control  NONE  ER(DTR/CTS)  XON/XOFF

Timeout  (sec)

Retry

Wait To Send  (ms)

Procedure

RI / VCC  RI  VCC

In the case of RS232C, you can select the 9th pin to RI (Input) or VCC (5V Power Supply). If you use the Digital's RS232C Isolation Unit, please select it to VCC.


Device-Specific Settings

Allowable Number of Devices/PLCs  [Add Device](#)

No.  Device Name  Settings

- NOTE** • Setting value for Wait To Send differs depending on the External Device. Please refer to the manual of the External Device for more details.

### ◆ Device Setting

To display the [Individual Device Settings] dialog box, from [Device-Specific Settings] in the [Device/PLC] window, select the external device and click [Settings] .

To connect multiple External Devices, from [Device-Specific Settings] in the [Device/PLC] window, click [Add Device] to add another External Device.



### ■ Settings of External Device (COMM-2H)

Use the switch on the I/F unit for communication settings. After communication settings, turn ON the power of the External Device again to enable the setting. Please refer to the manual of the External Device for more details.

#### ◆ Communication Setting Switch

DIP Switch	Settings	Description
01	OFF	Bit Length: 7 bits
02	ON	Baud Rate Transmission Speed: 19,200bps
03	ON	
04	ON	
05	ON	Parity Enable/Disable: Enable
06	ON	Parity Even/Odd: Even
07	OFF	Stop Bit Length: 1 bit
08	ON	Sum Check: Enable

#### ◆ Station Setting Rotary Switch

Rotary Switch	Settings	Description
x10	0	Station No. of External Device (tenth digit)
x1	0	Station No. of External Device (first digit)

#### ◆ Mode Setting Rotary Switch

Rotary Switch	Settings	Description
MODE	9	Procedure: Procedure 2

## 3.5 Setting Example 5

### ■ Settings of GP-Pro EX

#### ◆ Communication Settings

To display the setup screen, from the [Project] menu, point to [System Settings] and select [Device/PLC].

Device/PLC 1

Summary [Change Device/PLC](#)

Manufacturer  Series  Port

Text Data Mode  [Change](#)

Communication Settings

SIO Type  RS232C  RS422/485(2wire)  RS422/485(4wire)

Speed

Data Length  7  8

Parity  NONE  EVEN  ODD

Stop Bit  1  2

Flow Control  NONE  ER(DTR/CTS)  XON/XOFF

Timeout  (sec)

Retry

Wait To Send  (ms)

Procedure

RI / VCC  RI  VCC

In the case of RS232C, you can select the 9th pin to RI (Input) or VCC (5V Power Supply). If you use the Digital's RS232C Isolation Unit, please select it to VCC.


Device-Specific Settings

Allowable Number of Devices/PLCs  [Add Device](#)

No.	Device Name	Settings
1	PLC1	Series=H Series, Station No.=0

- NOTE** • Setting value for Wait To Send differs depending on the External Device. Please refer to the manual of the External Device for more details.

### ◆ Device Setting

To display the [Individual Device Settings] dialog box, from [Device-Specific Settings] in the [Device/PLC] window, select the external device and click [Settings] .

To connect multiple External Devices, from [Device-Specific Settings] in the [Device/PLC] window, click [Add Device] to add another External Device.



### ■ Settings of External Device (COMM-2H)

Use the switch on the I/F unit for communication settings. After communication settings, turn ON the power of the External Device again to enable the setting. Please refer to the manual of the External Device for more details.

#### ◆ Communication Setting Switch

DIP Switch	Settings	Description
01	OFF	Bit Length: 7 bits
02	ON	Baud Rate Transmission Speed: 19,200bps
03	ON	
04	ON	
05	ON	Parity Enable/Disable: Enable
06	ON	Parity Even/Odd: Even
07	OFF	Stop Bit Length: 1 bit
08	ON	Sum Check: Enable

#### ◆ Station Setting Rotary Switch

Rotary Switch	Settings	Description
x10	0	Station No. of External Device (tenth digit)
x1	0	Station No. of External Device (first digit)

#### ◆ Mode Setting Rotary Switch

Rotary Switch	Settings	Description
MODE	9	Procedure: Procedure 2

## 3.6 Setting Example 6

### ■ Settings of GP-Pro EX

#### ◆ Communication Settings

To display the setup screen, from the [Project] menu, point to [System Settings] and select [Device/PLC].

Device/PLC 1

Summary [Change Device/PLC](#)

Manufacturer  Series  Port

Text Data Mode  [Change](#)

Communication Settings

SID Type  RS232C  RS422/485(2wire)  RS422/485(4wire)

Speed

Data Length  7  8

Parity  NONE  EVEN  ODD

Stop Bit  1  2

Flow Control  NONE  ER(DTR/CTS)  XON/XOFF

Timeout  (sec)

Retry

Wait To Send  (ms)

Procedure

RI / VCC  RI  VCC

In the case of RS232C, you can select the 9th pin to RI (Input) or VCC (5V Power Supply). If you use the Digital's RS232C Isolation Unit, please select it to VCC.

Device-Specific Settings


Allowable Number of Devices/PLCs  [Add Device](#)

No. Device Name Settings

No.	Device Name	Settings
<input type="text" value="1"/>	<input type="text" value="PLC1"/>	<input type="text" value="Series=H Series"/>

**NOTE** • Setting value for Wait To Send differs depending on the External Device. Please refer to the manual of the External Device for more details.

### ◆ Device Setting

To display the [Individual Device Settings] dialog box, from [Device-Specific Settings] in the [Device/PLC] window, select the external device and click [Settings] .

To connect multiple External Devices, from [Device-Specific Settings] in the [Device/PLC] window, click [Add Device] to add another External Device.



### ■ Settings of External Device (Serial port on the CPU unit)

Use the switch on the CPU unit for communication settings. SIO type will be set to RS232C (Procedure 1) by entering 8000(H) in the address WRF037 with the ladder software (LADDER EDITOR for Windows). After communication settings, turn ON the power of the External Device again to enable the setting. Please refer to the manual of the External Device for more details.

### ◆ Mode Setting Switch

DIP Switch	Settings	Description
SW03	ON	Port 1 Transmission Speed: 19,200 bps
SW04	OFF	
SW05	ON	Port 1 Operation: Specified port
SW06	OFF	Port 2 Transmission Speed <sup>*1</sup> : 4,800 bps or 19,200 bps

\*1 When setting the transmission speed of Port 2 to 19,200 bps or 38,400 bps, set the port change switch to High(ON).

Transmission speed of Port 2 will be set with SW06 and PHL switches.

### ◆ Port Change Switch

PHL Switch	Settings	Description
PHL Switch	ON	Port 2 Operation

- NOTE**
- When the change switch is ON, PHL signal becomes High(ON).
  - Other transmission speed settings are shown below.

< Port 1 >

SW03	SW04	SW05	Transmission Speed
ON	ON	ON	4,800 bps
OFF	ON	ON	9,600 bps
OFF	OFF	ON	38,400 bps

< Port 2 >

SW06	PHL	Speed Speed
OFF	OFF	4,800 bps
ON	OFF	9,600 bps
ON	ON	38,400 bps

## 3.7 Setting Example 7

### ■ Settings of GP-Pro EX

#### ◆ Communication Settings

To display the setup screen, from the [Project] menu, point to [System Settings] and select [Device/PLC].

Device/PLC 1

Summary [Change Device/PLC](#)

Manufacturer  Series  Port

Text Data Mode  [Change](#)

Communication Settings

SIO Type  RS232C  RS422/485(2wire)  RS422/485(4wire)

Speed

Data Length  7  8

Parity  NONE  EVEN  ODD

Stop Bit  1  2

Flow Control  NONE  ER(DTR/CTS)  XON/XOFF

Timeout  (sec)

Retry

Wait To Send  (ms)

Procedure

RI / VCC  RI  VCC

In the case of RS232C, you can select the 9th pin to RI (Input) or VCC (5V Power Supply). If you use the Digital's RS232C Isolation Unit, please select it to VCC.

Device-Specific Settings


Allowable Number of Devices/PLCs  [Add Device](#)

No.	Device Name	Settings
<input type="text" value="1"/>	<input type="text" value="PLC1"/>	<input type="text" value="Series=H Series, Station No.=0"/>

- NOTE** • Setting value for Wait To Send differs depending on the External Device. Please refer to the manual of the External Device for more details.



### ◆ Device Setting

To display the [Individual Device Settings] dialog box, from [Device-Specific Settings] in the [Device/PLC] window, select the external device and click [Settings] .

To connect multiple External Devices, from [Device-Specific Settings] in the [Device/PLC] window, click [Add Device] to add another External Device.



### ■ Settings of External Device (Serial port on the CPU unit)

Use the switch on the CPU unit for communication settings. SIO type will be set to RS422/RS485 (Procedure 1) by entering A100(H)<sup>\*1</sup> in the address WRF037 with the ladder software (LADDER EDITOR for Windows). After communication settings, turn ON the power of the External Device again to enable the setting. Please refer to the manual of the External Device for more details.

\*1 To enable the termination resistance, enter B100(H). In addition, enter the Station No. set on the Display in lower 2 digits of A100 (or B100)

### ◆ Mode Setting Switch

DIP Switch	Settings	Description
SW03	ON	Port 1 Transmission Speed: 19,200 bps
SW04	OFF	
SW05	ON	Port 1 Operation: Specified port

**NOTE** • Other transmission speed settings are shown below.

SW03	SW04	SW05	Speed Speed
ON	ON	ON	4,800 bps
OFF	ON	ON	9,600 bps
OFF	OFF	ON	38,400 bps

## 3.8 Setting Example 8

### ■ Settings of GP-Pro EX

#### ◆ Communication Settings

To display the setup screen, from the [Project] menu, point to [System Settings] and select [Device/PLC].

Device/PLC 1

Summary [Change Device/PLC](#)

Manufacturer  Series  Port

Text Data Mode  [Change](#)

Communication Settings

SIO Type  RS232C  RS422/485(2wire)  RS422/485(4wire)

Speed

Data Length  7  8

Parity  NONE  EVEN  ODD

Stop Bit  1  2

Flow Control  NONE  ER(DTR/CTS)  XON/XOFF

Timeout  (sec)

Retry

Wait To Send  (ms)

Procedure

RI / VCC  RI  VCC

In the case of RS232C, you can select the 9th pin to RI (Input) or VCC (5V Power Supply). If you use the Digital's RS232C Isolation Unit, please select it to VCC.


Device-Specific Settings

Allowable Number of Devices/PLCs  [Add Device](#)

No.	Device Name	Settings
1	PLC1	Series=H Series, Station No.=0

- NOTE** • Setting value for Wait To Send differs depending on the External Device. Please refer to the manual of the External Device for more details.

### ◆ Device Setting

To display the [Individual Device Settings] dialog box, from [Device-Specific Settings] in the [Device/PLC] window, select the external device and click [Settings] .

To connect multiple External Devices, from [Device-Specific Settings] in the [Device/PLC] window, click [Add Device] to add another External Device.



### ■ Settings of External Device (Serial port on the CPU unit)

Use the switch on the CPU unit for communication settings. SIO type will be set to RS422/RS485 (Procedure 1) by entering A200(H)<sup>\*1</sup> in the address WRF037 with the ladder software (LADDER EDITOR for Windows). After communication settings, turn ON the power of the External Device again to enable the setting. Please refer to the manual of the External Device for more details.

\*1 To enable the termination resistance, enter B200(H). In addition, enter the Station No. set on the Display in lower 2 digits of A200 (or B200)

### ◆ Mode Setting Switch

DIP Switch	Settings	Description
SW03	ON	Port 1 Transmission Speed: 19,200 bps
SW04	OFF	
SW05	ON	Port 1 Operation: Specified port

**NOTE** • Other transmission speed settings are shown below.

SW03	SW04	SW05	Speed Speed
ON	ON	ON	4,800 bps
OFF	ON	ON	9,600 bps
OFF	OFF	ON	38,400 bps

### 3.9 Setting Example 9

#### ■ Settings of GP-Pro EX

##### ◆ Communication Settings

To display the setup screen, from the [Project] menu, point to [System Settings] and select [Device/PLC].

Device/PLC 1

Summary [Change Device/PLC](#)

Manufacturer  Series  Port

Text Data Mode  [Change](#)

Communication Settings

SID Type  RS232C  RS422/485(2wire)  RS422/485(4wire)

Speed

Data Length  7  8

Parity  NONE  EVEN  ODD

Stop Bit  1  2

Flow Control  NONE  ER(DTR/CTS)  XON/XOFF

Timeout  (sec)

Retry

Wait To Send  (ms)

Procedure

RI / VCC  RI  VCC

In the case of RS232C, you can select the 9th pin to RI (Input) or VCC (5V Power Supply). If you use the Digital's RS232C Isolation Unit, please select it to VCC.


Device-Specific Settings

Allowable Number of Devices/PLCs  [Add Device](#)

No.  Device Name  Settings

- NOTE**
- Setting value for Wait To Send differs depending on the External Device. Please refer to the manual of the External Device for more details.

### ◆ Device Setting

To display the [Individual Device Settings] dialog box, from [Device-Specific Settings] in the [Device/PLC] window, select the external device and click [Settings] .

To connect multiple External Devices, from [Device-Specific Settings] in the [Device/PLC] window, click [Add Device] to add another External Device.



### ■ Settings of External Device (EH-SIO)

Use the switch on the EH-SIO for communication settings. After setting, assign I/O, and turn ON the power of the External Device again to enable the setting. Use the ladder software (LADDER EDITOR for Windows) for the I/O assignment.

Please refer to the manual of the External Device for more details.

### ◆ Procedure

1. Use the DIP switch on the EH-SIO for communication settings.

DIP Switch	Settings	Description
01	OFF	Speed: 19,200 bps Please refer to the manual of the External Device for more details about other transmission speed settings.
02	ON	
03	ON	
04	ON	
05	OFF	Transmission character configuration settings Data Length: 7 bits Stop Bit: 1 bit Parity: Even
06	ON	
07	OFF	
08	OFF	Always OFF

2. Ladder program is required for initial settings. Please refer to the manual of the External Device for more details.

### 3.10 Setting Example 10

#### ■ Settings of GP-Pro EX

##### ◆ Communication Settings

To display the setup screen, from the [Project] menu, point to [System Settings] and select [Device/PLC].

Device/PLC 1

Summary [Change Device/PLC](#)

Manufacturer  Series  Port

Text Data Mode  [Change](#)

Communication Settings

SID Type  RS232C  RS422/485(2wire)  RS422/485(4wire)

Speed

Data Length  7  8

Parity  NONE  EVEN  ODD

Stop Bit  1  2

Flow Control  NONE  ER(DTR/CTS)  XON/XOFF

Timeout  (sec)

Retry

Wait To Send  (ms)

Procedure

RI / VCC  RI  VCC

In the case of RS232C, you can select the 9th pin to RI (Input) or VCC (5V Power Supply). If you use the Digital's RS232C Isolation Unit, please select it to VCC.


Device-Specific Settings

Allowable Number of Devices/PLCs 16 [Add Device](#)

No.	Device Name	Settings
1	<input type="text" value="PLC1"/>	<input type="text" value="Series=H Series"/>

- NOTE** • Setting value for Wait To Send differs depending on the External Device. Please refer to the manual of the External Device for more details.

### ◆ Device Setting

To display the [Individual Device Settings] dialog box, from [Device-Specific Settings] in the [Device/PLC] window, select the external device and click [Settings] .

To connect multiple External Devices, from [Device-Specific Settings] in the [Device/PLC] window, click [Add Device] to add another External Device.



### ■ Settings of External Device (EH-SIO)

Use the switch on the EH-SIO for communication settings. After setting, assign I/O, and turn ON the power of the External Device again to enable the setting. Use the ladder software (LADDER EDITOR for Windows) for the I/O assignment.

Please refer to the manual of the External Device for more details.

### ◆ Procedure

1. Use the DIP switch on the EH-SIO for communication settings.

Communication Setting Switch 2 (for Port 2)

DIP Switch	Settings	Description
01	OFF	Speed: 19,200 bps Please refer to the manual of the External Device for more details about other transmission speed settings.
02	ON	
03	ON	
04	ON	
05	OFF	Transmission character configuration settings Data Length: 7 bits Stop Bit: 1 bit Parity: Even
06	ON	
07	OFF	
08	OFF	Interface Type: RS232C

2. Ladder program is required for initial settings. Please refer to the manual of the External Device for more details.

### 3.11 Setting Example 11

#### ■ Settings of GP-Pro EX

##### ◆ Communication Settings

To display the setup screen, from the [Project] menu, point to [System Settings] and select [Device/PLC].

Device/PLC 1

Summary [Change Device/PLC](#)

Manufacturer  Series  Port

Text Data Mode  [Change](#)

Communication Settings

SIO Type  RS232C  RS422/485(2wire)  RS422/485(4wire)

Speed

Data Length  7  8

Parity  NONE  EVEN  ODD

Stop Bit  1  2

Flow Control  NONE  ER(DTR/CTS)  XON/XOFF

Timeout  (sec)

Retry

Wait To Send  (ms)

Procedure

RI / VCC  RI  VCC

In the case of RS232C, you can select the 9th pin to RI (Input) or VCC (5V Power Supply). If you use the Digital's RS232C Isolation Unit, please select it to VCC.

Device-Specific Settings


Allowable Number of Devices/PLCs  [Add Device](#)

No.	Device Name	Settings
<input type="button" value="1"/>	<input type="text" value="PLC1"/>	<input type="text" value="Series=H Series, Station No.=0"/>

- NOTE** • Setting value for Wait To Send differs depending on the External Device. Please refer to the manual of the External Device for more details.



### ◆ Device Setting

To display the [Individual Device Settings] dialog box, from [Device-Specific Settings] in the [Device/PLC] window, select the external device and click [Settings] .

To connect multiple External Devices, from [Device-Specific Settings] in the [Device/PLC] window, click [Add Device] to add another External Device.



### ■ Settings of External Device (EH-SIO)

Use the switch on the EH-SIO for communication settings. After setting, assign I/O, and turn ON the power of the External Device again to enable the setting. Use the ladder software (LADDER EDITOR for Windows) for the I/O assignment.

Please refer to the manual of the External Device for more details.

### ◆ Procedure

1. Use the DIP switch on the EH-SIO for communication settings.

Communication Setting Switch 2 (for Port 2)

DIP Switch	Settings	Description
01	OFF	Speed: 19,200 bps Please refer to the manual of the External Device for more details about other transmission speed settings.
02	ON	
03	ON	
04	ON	
05	OFF	Transmission character configuration settings Data Length: 7 bits Stop Bit: 1 bit Parity: Even
06	ON	
07	OFF	
08	ON	Interface Type: RS422/RS485

2. Ladder program is required for initial settings. Please refer to the manual of the External Device for more details.

## 3.12 Setting Example 12

### ■ Settings of GP-Pro EX

#### ◆ Communication Settings

To display the setup screen, from the [Project] menu, point to [System Settings] and select [Device/PLC].

Device/PLC 1

Summary [Change Device/PLC](#)

Manufacturer  Series  Port

Text Data Mode  [Change](#)

Communication Settings

SIO Type  RS232C  RS422/485(2wire)  RS422/485(4wire)

Speed

Data Length  7  8

Parity  NONE  EVEN  ODD

Stop Bit  1  2

Flow Control  NONE  ER(DTR/CTS)  XON/XOFF

Timeout  (sec)

Retry

Wait To Send  (ms)

Procedure

RI / VCC  RI  VCC

In the case of RS232C, you can select the 9th pin to RI (Input) or VCC (5V Power Supply). If you use the Digital's RS232C Isolation Unit, please select it to VCC.


Device-Specific Settings

Allowable Number of Devices/PLCs  [Add Device](#)

No.	Device Name	Settings
1	PLC1	Series=H Series, Station No.=0

- NOTE** • Setting value for Wait To Send differs depending on the External Device. Please refer to the manual of the External Device for more details.

### ◆ Device Setting

To display the [Individual Device Settings] dialog box, from [Device-Specific Settings] in the [Device/PLC] window, select the external device and click [Settings] .

To connect multiple External Devices, from [Device-Specific Settings] in the [Device/PLC] window, click [Add Device] to add another External Device.



### ■ Settings of External Device (EH-SIO)

Use the switch on the EH-SIO for communication settings. After setting, assign I/O, and turn ON the power of the External Device again to enable the setting. Use the ladder software (LADDER EDITOR for Windows) for the I/O assignment.

Please refer to the manual of the External Device for more details.

### ◆ Procedure

1. Use the DIP switch on the EH-SIO for communication settings.

Communication Setting Switch 2 (for Port 2)

DIP Switch	Settings	Description
01	OFF	Speed: 19,200 bps Please refer to the manual of the External Device for more details about other transmission speed settings.
02	ON	
03	ON	
04	ON	
05	OFF	Transmission character configuration settings Data Length: 7 bits Stop Bit: 1 bit Parity: Even
06	ON	
07	OFF	
08	ON	Interface Type: RS422/RS485

2. Ladder program is required for initial settings. Please refer to the manual of the External Device for more details.

### 3.13 Setting Example 13

#### ■ Settings of GP-Pro EX

##### ◆ Communication Settings

To display the setup screen, from the [Project] menu, point to [System Settings] and select [Device/PLC].

Device/PLC 1 | [Change Device/PLC](#)

Summary

Manufacturer  Series  Port

Text Data Mode  [Change](#)

Communication Settings

SIO Type  RS232C  RS422/485(2wire)  RS422/485(4wire)

Speed

Data Length  7  8

Parity  NONE  EVEN  ODD

Stop Bit  1  2

Flow Control  NONE  ER(DTR/CTS)  XON/XOFF

Timeout  (sec)

Retry

Wait To Send  (ms)

Procedure

RI / VCC  RI  VCC

In the case of RS232C, you can select the 9th pin to RI (Input) or VCC (5V Power Supply). If you use the Digital's RS232C Isolation Unit, please select it to VCC.


Device-Specific Settings

Allowable Number of Devices/PLCs  [Add Device](#)

No.  Device Name  Settings

- NOTE** • Setting value for Wait To Send differs depending on the External Device. Please refer to the manual of the External Device for more details.

### ◆ Device Setting

To display the [Individual Device Settings] dialog box, from [Device-Specific Settings] in the [Device/PLC] window, select the external device and click [Settings] .

To connect multiple External Devices, from [Device-Specific Settings] in the [Device/PLC] window, click [Add Device] to add another External Device.



### ■ Settings of External Device (Serial port on the CPU unit)

Use the switch on the CPU unit for communication settings. SIO type will be set to RS232C (Procedure 2) by entering C000(H) in the address WRF037 with the ladder software (LADDER EDITOR for Windows). After communication settings, turn ON the power of the External Device again to enable the setting. Please refer to the manual of the External Device for more details.

### ◆ Mode Setting Switch

DIP Switch	Settings	Description
SW03	ON	Port 1 Transmission Speed: 19,200 bps
SW04	OFF	
SW05	ON	Port 1 Operation: Specified port

**NOTE** • Other transmission speed settings are shown below.

SW03	SW04	SW05	Speed Speed
ON	ON	ON	4,800 bps
OFF	ON	ON	9,600 bps
OFF	OFF	ON	38,400 bps

### 3.14 Setting Example 14


#### ■ Settings of GP-Pro EX

##### ◆ Communication Settings

To display the setup screen, from the [Project] menu, point to [System Settings] and select [Device/PLC].

- NOTE** • Setting value for Wait To Send differs depending on the External Device. Please refer to the manual of the External Device for more details.

### ◆ Device Setting

To display the [Individual Device Settings] dialog box, from [Device-Specific Settings] in the [Device/PLC] window, select the external device and click [Settings] .

To connect multiple External Devices, from [Device-Specific Settings] in the [Device/PLC] window, click [Add Device] to add another External Device.



### ■ Settings of External Device (Serial port on the CPU unit)

Use the switch on the CPU unit for communication settings. SIO type will be set to RS422/RS485 (Procedure 2) by entering E100(H)<sup>\*1</sup> in the address WRF037 with the ladder software (LADDER EDITOR for Windows). After communication settings, turn ON the power of the External Device again to enable the setting. Please refer to the manual of the External Device for more details.

\*1 To enable the termination resistance, enter F100(H). In addition, enter the Station No. set on the Display in lower 2 digits of E100 (or F100)

### ◆ Mode Setting Switch

DIP Switch	Settings	Description
SW03	ON	Port 1 Transmission Speed: 19,200 bps
SW04	OFF	
SW05	ON	Port 1 Operation: Specified port

**NOTE** • Other transmission speed settings are shown below.

SW03	SW04	SW05	Speed Speed
ON	ON	ON	4,800 bps
OFF	ON	ON	9,600 bps
OFF	OFF	ON	38,400 bps

### 3.15 Setting Example 15

#### ■ Settings of GP-Pro EX

##### ◆ Communication Settings

To display the setup screen, from the [Project] menu, point to [System Settings] and select [Device/PLC].

Device/PLC 1

Summary [Change Device/PLC](#)

Manufacturer  Series  Port

Text Data Mode  [Change](#)

Communication Settings

SIO Type  RS232C  RS422/485(2wire)  RS422/485(4wire)

Speed

Data Length  7  8

Parity  NONE  EVEN  ODD

Stop Bit  1  2

Flow Control  NONE  ER(DTR/CTS)  XON/XOFF

Timeout  (sec)

Retry

Wait To Send  (ms)

Procedure

RI / VCC  RI  VCC

In the case of RS232C, you can select the 9th pin to RI (Input) or VCC (5V Power Supply). If you use the Digital's RS232C Isolation Unit, please select it to VCC.

Device-Specific Settings


Allowable Number of Devices/PLCs  [Add Device](#)

No.	Device Name	Settings
<input type="button" value="1"/>	<input type="text" value="PLC1"/>	<input type="text" value="Series=H Series, Station No.=0"/>

- NOTE** • Setting value for Wait To Send differs depending on the External Device. Please refer to the manual of the External Device for more details.



### ◆ Device Setting

To display the [Individual Device Settings] dialog box, from [Device-Specific Settings] in the [Device/PLC] window, select the external device and click [Settings] .

To connect multiple External Devices, from [Device-Specific Settings] in the [Device/PLC] window, click [Add Device] to add another External Device.



### ■ Settings of External Device (Serial port on the CPU unit)

Use the switch on the CPU unit for communication settings. SIO type will be set to RS422/RS485 (Procedure 2) by entering E200(H)<sup>\*1</sup> in the address WRF037 with the ladder software (LADDER EDITOR for Windows). After communication settings, turn ON the power of the External Device again to enable the setting. Please refer to the manual of the External Device for more details.

\*1 To enable the termination resistance, enter F200(H). In addition, enter the Station No. set on the Display in lower 2 digits of E200 (or F200)

### ◆ Mode Setting Switch

DIP Switch	Settings	Description
SW03	ON	Port 1 Transmission Speed: 19,200 bps
SW04	OFF	
SW05	ON	Port 1 Operation: Specified port

**NOTE** • Other transmission speed settings are shown below.

SW03	SW04	SW05	Speed Speed
ON	ON	ON	4,800 bps
OFF	ON	ON	9,600 bps
OFF	OFF	ON	38,400 bps

### 3.16 Setting Example 16

#### ■ Settings of GP-Pro EX

##### ◆ Communication Settings

To display the setup screen, from the [Project] menu, point to [System Settings] and select [Device/PLC].

Device/PLC 1

Summary [Change Device/PLC](#)

Manufacturer  Series  Port

Text Data Mode  [Change](#)

Communication Settings

SIO Type  RS232C  RS422/485(2wire)  RS422/485(4wire)

Speed

Data Length  7  8

Parity  NONE  EVEN  ODD

Stop Bit  1  2

Flow Control  NONE  ER(DTR/CTS)  XON/XOFF

Timeout  (sec)

Retry

Wait To Send  (ms)

Procedure

RI / VCC  RI  VCC

In the case of RS232C, you can select the 9th pin to RI (Input) or VCC (5V Power Supply). If you use the Digital's RS232C Isolation Unit, please select it to VCC.


Device-Specific Settings

Allowable Number of Devices/PLCs  [Add Device](#)

No.  Device Name  Settings

- NOTE** • Setting value for Wait To Send differs depending on the External Device. Please refer to the manual of the External Device for more details.

### ◆ Device Setting

To display the [Individual Device Settings] dialog box, from [Device-Specific Settings] in the [Device/PLC] window, select the external device and click [Settings] .

To connect multiple External Devices, from [Device-Specific Settings] in the [Device/PLC] window, click [Add Device] to add another External Device.



### ■ Settings of External Device (EH-SIO)

Use the switch on the EH-SIO for communication settings. After setting, assign I/O, and turn ON the power of the External Device again to enable the setting. Use the ladder software (LADDER EDITOR for Windows) for the I/O assignment.

Please refer to the manual of the External Device for more details.

### ◆ Procedure

1. Use the DIP switch on the EH-SIO for communication settings.

DIP Switch	Settings	Description
01	OFF	Speed: 19,200 bps Please refer to the manual of the External Device for more details about other transmission speed settings.
02	ON	
03	ON	
04	ON	
05	OFF	Transmission character configuration settings Data Length: 7 bits Stop Bit: 1 bit Parity: Even
06	ON	
07	OFF	
08	OFF	Always OFF

2. Ladder program is required for initial settings. Please refer to the manual of the External Device for more details.

### 3.17 Setting Example 17

#### ■ Settings of GP-Pro EX

##### ◆ Communication Settings

To display the setup screen, from the [Project] menu, point to [System Settings] and select [Device/PLC].

Device/PLC 1

Summary [Change Device/PLC](#)

Manufacturer  Series  Port

Text Data Mode  [Change](#)

Communication Settings

SIO Type  RS232C  RS422/485(2wire)  RS422/485(4wire)

Speed

Data Length  7  8

Parity  NONE  EVEN  ODD

Stop Bit  1  2

Flow Control  NONE  ER(DTR/CTS)  XON/XOFF

Timeout  (sec)

Retry

Wait To Send  (ms)

Procedure

RI / VCC  RI  VCC

In the case of RS232C, you can select the 9th pin to RI (Input) or VCC (5V Power Supply). If you use the Digital's RS232C Isolation Unit, please select it to VCC.


Device-Specific Settings

Allowable Number of Devices/PLCs  [Add Device](#)

No.  Device Name  Settings

- NOTE**
- Setting value for Wait To Send differs depending on the External Device. Please refer to the manual of the External Device for more details.

### ◆ Device Setting

To display the [Individual Device Settings] dialog box, from [Device-Specific Settings] in the [Device/PLC] window, select the external device and click [Settings] .

To connect multiple External Devices, from [Device-Specific Settings] in the [Device/PLC] window, click [Add Device] to add another External Device.



### ■ Settings of External Device (EH-SIO)

Use the switch on the EH-SIO for communication settings. After setting, assign I/O, and turn ON the power of the External Device again to enable the setting. Use the ladder software (LADDER EDITOR for Windows) for the I/O assignment.

Please refer to the manual of the External Device for more details.

### ◆ Procedure

1. Use the DIP switch on the EH-SIO for communication settings.

Communication Setting Switch 2 (for Port 2)

DIP Switch	Settings	Description
01	OFF	Speed: 19,200 bps Please refer to the manual of the External Device for more details about other transmission speed settings.
02	ON	
03	ON	
04	ON	
05	OFF	Transmission character configuration settings Data Length: 7 bits Stop Bit: 1 bit Parity: Even
06	ON	
07	OFF	
08	OFF	Interface Type: RS232C

2. Ladder program is required for initial settings. Please refer to the manual of the External Device for more details.

### 3.18 Setting Example 18


#### ■ Settings of GP-Pro EX

##### ◆ Communication Settings

To display the setup screen, from the [Project] menu, point to [System Settings] and select [Device/PLC].

- NOTE** • Setting value for Wait To Send differs depending on the External Device. Please refer to the manual of the External Device for more details.

### ◆ Device Setting

To display the [Individual Device Settings] dialog box, from [Device-Specific Settings] in the [Device/PLC] window, select the external device and click [Settings] .

To connect multiple External Devices, from [Device-Specific Settings] in the [Device/PLC] window, click [Add Device] to add another External Device.



### ■ Settings of External Device (EH-SIO)

Use the switch on the EH-SIO for communication settings. After setting, assign I/O, and turn ON the power of the External Device again to enable the setting. Use the ladder software (LADDER EDITOR for Windows) for the I/O assignment.

Please refer to the manual of the External Device for more details.

### ◆ Procedure

1. Use the DIP switch on the EH-SIO for communication settings.

Communication Setting Switch 2 (for Port 2)

DIP Switch	Settings	Description
01	OFF	Speed: 19,200 bps Please refer to the manual of the External Device for more details about other transmission speed settings.
02	ON	
03	ON	
04	ON	
05	OFF	Transmission character configuration settings Data Length: 7 bits Stop Bit: 1 bit Parity: Even
06	ON	
07	OFF	
08	ON	Interface Type: RS422/RS485

2. Ladder program is required for initial settings. Please refer to the manual of the External Device for more details.

### 3.19 Setting Example 19

#### ■ Settings of GP-Pro EX


##### ◆ Communication Settings

To display the setup screen, from the [Project] menu, point to [System Settings] and select [Device/PLC].

- NOTE** • Setting value for Wait To Send differs depending on the External Device. Please refer to the manual of the External Device for more details.



### ◆ Device Setting

To display the [Individual Device Settings] dialog box, from [Device-Specific Settings] in the [Device/PLC] window, select the external device and click [Settings] .

To connect multiple External Devices, from [Device-Specific Settings] in the [Device/PLC] window, click [Add Device] to add another External Device.



### ■ Settings of External Device (EH-SIO)

Use the switch on the EH-SIO for communication settings. After setting, assign I/O, and turn ON the power of the External Device again to enable the setting. Use the ladder software (LADDER EDITOR for Windows) for the I/O assignment.

Please refer to the manual of the External Device for more details.

### ◆ Procedure

1. Use the DIP switch on the EH-SIO for communication settings.

Communication Setting Switch 2 (for Port 2)

DIP Switch	Settings	Description
01	OFF	Speed: 19,200 bps Please refer to the manual of the External Device for more details about other transmission speed settings.
02	ON	
03	ON	
04	ON	
05	OFF	Transmission character configuration settings Data Length: 7 bits Stop Bit: 1 bit Parity: Even
06	ON	
07	OFF	
08	ON	Interface Type: RS422/RS485

2. Ladder program is required for initial settings. Please refer to the manual of the External Device for more details.

## 3.20 Setting Example 20

### ■ Settings of GP-Pro EX

#### ◆ Communication Settings

To display the setup screen, from the [Project] menu, point to [System Settings] and select [Device/PLC].

Device/PLC 1

Summary [Change Device/PLC](#)

Manufacturer  Series  Port

Text Data Mode  [Change](#)

Communication Settings

SIO Type  RS232C  RS422/485(2wire)  RS422/485(4wire)

Speed

Data Length  7  8

Parity  NONE  EVEN  ODD

Stop Bit  1  2

Flow Control  NONE  ER(DTR/CTS)  XON/XOFF

Timeout  (sec)

Retry

Wait To Send  (ms)

Procedure

RI / VCC  RI  VCC

In the case of RS232C, you can select the 9th pin to RI (Input) or VCC (5V Power Supply). If you use the Digital's RS232C Isolation Unit, please select it to VCC.


Device-Specific Settings

Allowable Number of Devices/PLCs  [Add Device](#)

No.  Device Name  Settings

- NOTE** • Setting value for Wait To Send differs depending on the External Device. Please refer to the manual of the External Device for more details.

### ◆ Device Setting

To display the [Individual Device Settings] dialog box, from [Device-Specific Settings] in the [Device/PLC] window, select the external device and click [Settings] .

To connect multiple External Devices, from [Device-Specific Settings] in the [Device/PLC] window, click [Add Device] to add another External Device.



### ■ Settings of External Device (Port on the CPU unit)

Use the ladder software (LADDER EDITOR for Windows) for communication settings. Please refer to the manual of the External Device for more details.

### ◆ Procedure

1. Use the DIP switch inside the front cover of the External Device to enable the communication with the ladder software.

Set as the following table.

DIP Switch	Settings	Description
SW01	ON	Transmission Speed: 19,200 bps Please refer to the manual of the External Device for more details about other transmission speed settings.
SW02	OFF	
SW03	OFF	
SW04	OFF	

2. Set 0000(H) in I/O No.WRF01A and turn I/O No.R7F6 ON to write the settings in the FLASH memory in the External Device.

- WRF01A

Limit Bit	Settings	Description
15	0	Procedure 1

- R7F6

Limit Bit	Settings	Description
-	1	Writing in FLASH memory

3. Turn ON the power of the External Device again.

## 3.21 Setting Example 21

### ■ Settings of GP-Pro EX

#### ◆ Communication Settings

To display the setup screen, from the [Project] menu, point to [System Settings] and select [Device/PLC].

Device/PLC 1

Summary [Change Device/PLC](#)

Manufacturer  Series  Port

Text Data Mode  [Change](#)

Communication Settings

SIO Type  RS232C  RS422/485(2wire)  RS422/485(4wire)

Speed

Data Length  7  8

Parity  NONE  EVEN  ODD

Stop Bit  1  2

Flow Control  NONE  ER(DTR/CTS)  XON/XOFF

Timeout  (sec)

Retry

Wait To Send  (ms)

Procedure

RI / VCC  RI  VCC

In the case of RS232C, you can select the 9th pin to RI (Input) or VCC (5V Power Supply). If you use the Digital's RS232C Isolation Unit, please select it to VCC.


Device-Specific Settings

Allowable Number of Devices/PLCs  [Add Device](#)

No.	Device Name	Settings
<input type="button" value="1"/>	<input type="text" value="PLC1"/>	<input type="text" value="Series=H Series, Station No.=0"/>

- NOTE** • Setting value for Wait To Send differs depending on the External Device. Please refer to the manual of the External Device for more details.

### ◆ Device Setting

To display the [Individual Device Settings] dialog box, from [Device-Specific Settings] in the [Device/PLC] window, select the external device and click [Settings] .

To connect multiple External Devices, from [Device-Specific Settings] in the [Device/PLC] window, click [Add Device] to add another External Device.



### ■ Settings of External Device (Port on the CPU unit)

Use the ladder software (LADDER EDITOR for Windows) for communication settings. Please refer to the manual of the External Device for more details.

### ◆ Procedure

1. Set the following communication settings in I/O No.WRF03D and turn I/O No.R7F6 ON to write the settings in the FLASH memory in the External Device.

- WRF03D

Limit Bit	Settings	Description
15	1 <sup>*1</sup>	Setting Change Request
14	0	Procedure 1
13	1	Station No.: Enable
11 to 8	0010(H)	Transmission speed: 19,200bps Please refer to the manual of the External Device for more details about other transmission speed settings.
7 to 0	0	Station No. <sup>*2</sup>

\*1 For communication settings, set "1". It will be changed to "0" when turning the power of the External Device again.

\*2 Set the Station No. with BCD 2 digits. Bit position of 7 to 4 corresponds to the digit of 10, and of 3 to 0 corresponds to the digit of 1.

- R7F6

Limit Bit	Settings	Description
-	1	Writing in FLASH memory

2. Turn ON the power of the External Device again.

## 3.22 Setting Example 22

### ■ Settings of GP-Pro EX

#### ◆ Communication Settings

To display the setup screen, from the [Project] menu, point to [System Settings] and select [Device/PLC].

Device/PLC 1

Summary [Change Device/PLC](#)

Manufacturer  Series  Port

Text Data Mode  [Change](#)

Communication Settings

SIO Type  RS232C  RS422/485(2wire)  RS422/485(4wire)

Speed

Data Length  7  8

Parity  NONE  EVEN  ODD

Stop Bit  1  2

Flow Control  NONE  ER(DTR/CTS)  XON/XOFF

Timeout  (sec)

Retry

Wait To Send  (ms)

Procedure

RI / VCC  RI  VCC

In the case of RS232C, you can select the 9th pin to RI (Input) or VCC (5V Power Supply). If you use the Digital's RS232C Isolation Unit, please select it to VCC.


Device-Specific Settings

Allowable Number of Devices/PLCs  [Add Device](#)

No.	Device Name	Settings
<input type="button" value="1"/>	<input type="text" value="PLC1"/>	<input type="text" value="Series=H Series, Station No.=0"/>

- NOTE** • Setting value for Wait To Send differs depending on the External Device. Please refer to the manual of the External Device for more details.

### ◆ Device Setting

To display the [Individual Device Settings] dialog box, from [Device-Specific Settings] in the [Device/PLC] window, select the external device and click [Settings] .

To connect multiple External Devices, from [Device-Specific Settings] in the [Device/PLC] window, click [Add Device] to add another External Device.



### ■ Settings of External Device (Port on the CPU unit)

Use the ladder software (LADDER EDITOR for Windows) for communication settings. Please refer to the manual of the External Device for more details.

### ◆ Procedure

1. Set the following communication settings in I/O No.WRF03D and turn I/O No.R7F6 ON to write the settings in the FLASH memory in the External Device.

#### • WRF03D

Limit Bit	Settings	Description
15	1 <sup>*1</sup>	Setting Change Request
14	0	Procedure 1
13	1	Station No.: Enable
11 to 8	0010(H)	Transmission speed: 19,200bps Please refer to the manual of the External Device for more details about other transmission speed settings.
7 to 0	0	Station No. <sup>*2</sup>

\*1 For communication settings, set "1". It will be changed to "0" when turning the power of the External Device again.

\*2 Set the Station No. with BCD 2 digits. Bit position of 7 to 4 corresponds to the digit of 10, and of 3 to 0 corresponds to the digit of 1.

#### • R7F6

Limit Bit	Settings	Description
-	1	Writing in FLASH memory

2. Turn ON the power of the External Device again.

### 3.23 Setting Example 23

#### ■ Settings of GP-Pro EX

##### ◆ Communication Settings

To display the setup screen, from the [Project] menu, point to [System Settings] and select [Device/PLC].

Device/PLC 1 [Change Device/PLC](#)

Summary

Manufacturer  Series  Port

Text Data Mode  [Change](#)

Communication Settings

SIO Type  RS232C  RS422/485(2wire)  RS422/485(4wire)

Speed

Data Length  7  8

Parity  NONE  EVEN  ODD

Stop Bit  1  2

Flow Control  NONE  ER(DTR/CTS)  XON/XOFF

Timeout  (sec)

Retry

Wait To Send  (ms)

Procedure

RI / VCC  RI  VCC

In the case of RS232C, you can select the 9th pin to RI (Input) or VCC (5V Power Supply). If you use the Digital's RS232C Isolation Unit, please select it to VCC.

Device-Specific Settings


Allowable Number of Devices/PLCs  [Add Device](#)

No.  Device Name  Settings

- NOTE** • Setting value for Wait To Send differs depending on the External Device. Please refer to the manual of the External Device for more details.



### ◆ Device Setting

To display the [Individual Device Settings] dialog box, from [Device-Specific Settings] in the [Device/PLC] window, select the external device and click [Settings] .

To connect multiple External Devices, from [Device-Specific Settings] in the [Device/PLC] window, click [Add Device] to add another External Device.



### ■ Settings of External Device (EH-OB232)

Use the ladder software (LADDER EDITOR for Windows) for communication settings. Please refer to the manual of the External Device for more details.

### ◆ Procedure

1. Set the following communication settings in I/O No.WRF03D and turn I/O No.R7F6 ON to write the settings in the FLASH memory in the External Device.

- WRF03D

Limit Bit	Settings	Description
15	1*1	Setting Change Request
14	0	Procedure 1
13	0	Station No.: Disable
11 to 8	0010(H)	Transmission speed: 19,200bps Please refer to the manual of the External Device for more details about other transmission speed settings.

- \*1 For communication settings, set "1". It will be changed to "0" when turning the power of the External Device again.

- R7F6

Limit Bit	Settings	Description
-	1	Writing in FLASH memory

2. Turn ON the power of the External Device again.

## 3.24 Setting Example 24

### ■ Settings of GP-Pro EX

#### ◆ Communication Settings

To display the setup screen, from the [Project] menu, point to [System Settings] and select [Device/PLC].

Device/PLC 1

Summary [Change Device/PLC](#)

Manufacturer  Series  Port

Text Data Mode  [Change](#)

Communication Settings

SIO Type  RS232C  RS422/485(2wire)  RS422/485(4wire)

Speed

Data Length  7  8

Parity  NONE  EVEN  ODD

Stop Bit  1  2

Flow Control  NONE  ER(DTR/CTS)  XON/XOFF

Timeout  (sec)

Retry

Wait To Send  (ms)

Procedure

RI / VCC  RI  VCC

In the case of RS232C, you can select the 9th pin to RI (Input) or VCC (5V Power Supply). If you use the Digital's RS232C Isolation Unit, please select it to VCC.


Device-Specific Settings

Allowable Number of Devices/PLCs  [Add Device](#)

No.	Device Name	Settings
1	PLC1	Series=H Series, Station No.=0

**NOTE** • Setting value for Wait To Send differs depending on the External Device. Please refer to the manual of the External Device for more details.

### ◆ Device Setting

To display the [Individual Device Settings] dialog box, from [Device-Specific Settings] in the [Device/PLC] window, select the external device and click [Settings] .

To connect multiple External Devices, from [Device-Specific Settings] in the [Device/PLC] window, click [Add Device] to add another External Device.



### ■ Settings of External Device (EH-OB485)

Use the ladder software (LADDER EDITOR for Windows) for communication settings. Please refer to the manual of the External Device for more details.

### ◆ Procedure

1. Set the following communication settings in I/O No.WRF03D and turn I/O No.R7F6 ON to write the settings in the FLASH memory in the External Device.

- WRF03D

Limit Bit	Settings	Description
15	1 <sup>*1</sup>	Setting Change Request
14	0	Procedure 1
13	1	Station No.: Enable
11 to 8	0010(H)	Transmission speed: 19,200bps Please refer to the manual of the External Device for more details about other transmission speed settings.
7 to 0	0	Station No. <sup>*2</sup>

\*1 For communication settings, set "1". It will be changed to "0" when turning the power of the External Device again.

\*2 Set the Station No. with BCD 2 digits. Bit position of 7 to 4 corresponds to the digit of 10, and of 3 to 0 corresponds to the digit of 1.

- R7F6

Limit Bit	Settings	Description
-	1	Writing in FLASH memory

2. Turn ON the power of the External Device again.

## 3.25 Setting Example 25

### ■ Settings of GP-Pro EX

#### ◆ Communication Settings

To display the setup screen, from the [Project] menu, point to [System Settings] and select [Device/PLC].

Device/PLC 1

Summary [Change Device/PLC](#)

Manufacturer  Series  Port

Text Data Mode  [Change](#)

Communication Settings

SIO Type  RS232C  RS422/485(2wire)  RS422/485(4wire)

Speed

Data Length  7  8

Parity  NONE  EVEN  ODD

Stop Bit  1  2

Flow Control  NONE  ER(DTR/CTS)  XON/XOFF

Timeout  (sec)

Retry

Wait To Send  (ms)

Procedure

RI / VCC  RI  VCC

In the case of RS232C, you can select the 9th pin to RI (Input) or VCC (5V Power Supply). If you use the Digital's RS232C Isolation Unit, please select it to VCC.


Device-Specific Settings

Allowable Number of Devices/PLCs  [Add Device](#)

No.	Device Name	Settings
<input type="button" value="1"/>	<input type="text" value="PLC1"/>	<input type="text" value="Series=H Series, Station No.=0"/>

- NOTE**
- Setting value for Wait To Send differs depending on the External Device. Please refer to the manual of the External Device for more details.

### ◆ Device Setting

To display the [Individual Device Settings] dialog box, from [Device-Specific Settings] in the [Device/PLC] window, select the external device and click [Settings] .

To connect multiple External Devices, from [Device-Specific Settings] in the [Device/PLC] window, click [Add Device] to add another External Device.



### ■ Settings of External Device (EH-OB485)

Use the ladder software (LADDER EDITOR for Windows) for communication settings. Please refer to the manual of the External Device for more details.

### ◆ Procedure

1. Set the following communication settings in I/O No.WRF03D and turn I/O No.R7F6 ON to write the settings in the FLASH memory in the External Device.

#### • WRF03D

Limit Bit	Settings	Description
15	1 <sup>*1</sup>	Setting Change Request
14	0	Procedure 1
13	1	Station No.: Enable
11 to 8	0010(H)	Transmission speed: 19,200bps Please refer to the manual of the External Device for more details about other transmission speed settings.
7 to 0	0	Station No. <sup>*2</sup>

\*1 For communication settings, set "1". It will be changed to "0" when turning the power of the External Device again.

\*2 Set the Station No. with BCD 2 digits. Bit position of 7 to 4 corresponds to the digit of 10, and of 3 to 0 corresponds to the digit of 1.

#### • R7F6

Limit Bit	Settings	Description
-	1	Writing in FLASH memory

2. Turn ON the power of the External Device again.

## 3.26 Setting Example 26

### ■ Settings of GP-Pro EX

#### ◆ Communication Settings

To display the setup screen, from the [Project] menu, point to [System Settings] and select [Device/PLC].

Device/PLC 1

Summary [Change Device/PLC](#)

Manufacturer  Series  Port

Text Data Mode  [Change](#)

Communication Settings

SID Type  RS232C  RS422/485(2wire)  RS422/485(4wire)

Speed

Data Length  7  8

Parity  NONE  EVEN  ODD

Stop Bit  1  2

Flow Control  NONE  ER(DTR/CTS)  XON/XOFF

Timeout  (sec)

Retry

Wait To Send  (ms)

Procedure

RI / VCC  RI  VCC

In the case of RS232C, you can select the 9th pin to RI (Input) or VCC (5V Power Supply). If you use the Digital's RS232C Isolation Unit, please select it to VCC.

Device-Specific Settings


Allowable Number of Devices/PLCs 16 [Add Device](#)

No. Device Name Settings

No.	Device Name	Settings
1	PLC1	Series=H Series

**NOTE** • Setting value for Wait To Send differs depending on the External Device. Please refer to the manual of the External Device for more details.

### ◆ Device Setting

To display the [Individual Device Settings] dialog box, from [Device-Specific Settings] in the [Device/PLC] window, select the external device and click [Settings] .

To connect multiple External Devices, from [Device-Specific Settings] in the [Device/PLC] window, click [Add Device] to add another External Device.



### ■ Settings of External Device (Port on the CPU unit)

Use the ladder software (LADDER EDITOR for Windows) for communication settings. Please refer to the manual of the External Device for more details.

### ◆ Procedure

1. Use the DIP switch inside the front cover of the External Device to enable the communication with the ladder software.

Set as the following table.

DIP Switch	Settings	Description
SW01	ON	Speed: 19,200 bps Please refer to the manual of the External Device for more details about other transmission speed settings.
SW02	OFF	
SW03	OFF	
SW04	OFF	

2. Set 8000(H) in I/O No.WRF01A and turn I/O No.R7F6 ON to write the settings in the FLASH memory in the External Device.

- WRF01A

Limit Bit	Settings	Description
15	1	Procedure 2

- R7F6

Limit Bit	Settings	Description
-	1	Writing in FLASH memory

3. Turn ON the power of the External Device again.

## 3.27 Setting Example 27

### ■ Settings of GP-Pro EX

#### ◆ Communication Settings

To display the setup screen, from the [Project] menu, point to [System Settings] and select [Device/PLC].

Device/PLC 1

Summary [Change Device/PLC](#)

Manufacturer  Series  Port

Text Data Mode  [Change](#)

Communication Settings

SIO Type  RS232C  RS422/485(2wire)  RS422/485(4wire)

Speed

Data Length  7  8

Parity  NONE  EVEN  ODD

Stop Bit  1  2

Flow Control  NONE  ER(DTR/CTS)  XON/XOFF

Timeout  (sec)

Retry

Wait To Send  (ms)

Procedure

RI / VCC  RI  VCC

In the case of RS232C, you can select the 9th pin to RI (Input) or VCC (5V Power Supply). If you use the Digital's RS232C Isolation Unit, please select it to VCC.

Device-Specific Settings


Allowable Number of Devices/PLCs  [Add Device](#)

No.	Device Name	Settings
<input type="button" value="1"/>	<input type="text" value="PLC1"/>	<input type="text" value="Series=H Series, Station No.=0"/>

- NOTE** • Setting value for Wait To Send differs depending on the External Device. Please refer to the manual of the External Device for more details.



### ◆ Device Setting

To display the [Individual Device Settings] dialog box, from [Device-Specific Settings] in the [Device/PLC] window, select the external device and click [Settings] .

To connect multiple External Devices, from [Device-Specific Settings] in the [Device/PLC] window, click [Add Device] to add another External Device.



### ■ Settings of External Device (Port on the CPU unit)

Use the ladder software (LADDER EDITOR for Windows) for communication settings. Please refer to the manual of the External Device for more details.

#### ◆ Procedure

1. Set the following communication settings in I/O No.WRF03D and turn I/O No.R7F6 ON to write the settings in the FLASH memory in the External Device.

#### • WRF03D

Limit Bit	Settings	Description
15	1*1	Setting Change Request
14	1	Procedure 2
13	1	Station No.: Enable
11 to 8	0010(H)	Transmission speed: 19,200bps Please refer to the manual of the External Device for more details about other transmission speed settings.
7 to 0	0	Station No.*2

\*1 For communication settings, set "1". It will be changed to "0" when turning the power of the External Device again.

\*2 Set the Station No. with BCD 2 digits. Bit position of 7 to 4 corresponds to the digit of 10, and of 3 to 0 corresponds to the digit of 1.

#### • R7F6

Limit Bit	Settings	Description
-	1	Writing in FLASH memory

2. Turn ON the power of the External Device again.

## 3.28 Setting Example 28

### ■ Settings of GP-Pro EX

#### ◆ Communication Settings

To display the setup screen, from the [Project] menu, point to [System Settings] and select [Device/PLC].

Device/PLC 1

Summary [Change Device/PLC](#)

Manufacturer  Series  Port

Text Data Mode  [Change](#)

Communication Settings

SIO Type  RS232C  RS422/485(2wire)  RS422/485(4wire)

Speed

Data Length  7  8

Parity  NONE  EVEN  ODD

Stop Bit  1  2

Flow Control  NONE  ER(DTR/CTS)  XON/XOFF

Timeout  (sec)

Retry

Wait To Send  (ms)

Procedure

RI / VCC  RI  VCC

In the case of RS232C, you can select the 9th pin to RI (Input) or VCC (5V Power Supply). If you use the Digital's RS232C Isolation Unit, please select it to VCC.


Device-Specific Settings

Allowable Number of Devices/PLCs  [Add Device](#)

No.	Device Name	Settings
<input type="button" value="1"/>	<input type="text" value="PLC1"/>	<input type="text" value="Series=H Series, Station No.=0"/>

- NOTE** • Setting value for Wait To Send differs depending on the External Device. Please refer to the manual of the External Device for more details.

### ◆ Device Setting

To display the [Individual Device Settings] dialog box, from [Device-Specific Settings] in the [Device/PLC] window, select the external device and click [Settings] .

To connect multiple External Devices, from [Device-Specific Settings] in the [Device/PLC] window, click [Add Device] to add another External Device.



### ■ Settings of External Device (Port on the CPU unit)

Use the ladder software (LADDER EDITOR for Windows) for communication settings. Please refer to the manual of the External Device for more details.

#### ◆ Procedure

1. Set the following communication settings in I/O No.WRF03D and turn I/O No.R7F6 ON to write the settings in the FLASH memory in the External Device.

- WRF03D

Limit Bit	Settings	Description
15	1 <sup>*1</sup>	Setting Change Request
14	1	Procedure 2
13	1	Station No.: Enable
11 to 8	0010(H)	Transmission speed: 19,200bps Please refer to the manual of the External Device for more details about other transmission speed settings.
7 to 0	0	Station No. <sup>*2</sup>

\*1 For communication settings, set "1". It will be changed to "0" when turning the power of the External Device again.

\*2 Set the Station No. with BCD 2 digits. Bit position of 7 to 4 corresponds to the digit of 10, and of 3 to 0 corresponds to the digit of 1.

- R7F6

Limit Bit	Settings	Description
-	1	Writing in FLASH memory

2. Turn ON the power of the External Device again.

## 3.29 Setting Example 29

### ■ Settings of GP-Pro EX

#### ◆ Communication Settings

To display the setup screen, from the [Project] menu, point to [System Settings] and select [Device/PLC].

Device/PLC 1 [Change Device/PLC](#)

Summary

Manufacturer  Series  Port

Text Data Mode  [Change](#)

Communication Settings

SIO Type  RS232C  RS422/485(2wire)  RS422/485(4wire)

Speed

Data Length  7  8

Parity  NONE  EVEN  ODD

Stop Bit  1  2

Flow Control  NONE  ER(DTR/CTS)  XON/XOFF

Timeout  (sec)

Retry

Wait To Send  (ms)

Procedure

RI / VCC  RI  VCC

In the case of RS232C, you can select the 9th pin to RI (Input) or VCC (5V Power Supply). If you use the Digital's RS232C Isolation Unit, please select it to VCC.


Device-Specific Settings

Allowable Number of Devices/PLCs  [Add Device](#)

No.  Device Name  Settings

**NOTE** • Setting value for Wait To Send differs depending on the External Device. Please refer to the manual of the External Device for more details.

### ◆ Device Setting

To display the [Individual Device Settings] dialog box, from [Device-Specific Settings] in the [Device/PLC] window, select the external device and click [Settings] .

To connect multiple External Devices, from [Device-Specific Settings] in the [Device/PLC] window, click [Add Device] to add another External Device.



### ■ Settings of External Device (EH-OB232)

Use the ladder software (LADDER EDITOR for Windows) for communication settings. Please refer to the manual of the External Device for more details.

#### ◆ Procedure

1. Set the following communication settings in I/O No.WRF03D and turn I/O No.R7F6 ON to write the settings in the FLASH memory in the External Device.

- WRF03D

Limit Bit	Settings	Description
15	1*1	Setting Change Request
14	1	Procedure 2
13	0	Station No.: Disable
11 to 8	0010(H)	Transmission speed: 19,200bps Please refer to the manual of the External Device for more details about other transmission speed settings.

- \*1 For communication settings, set "1". It will be changed to "0" when turning the power of the External Device again.

- R7F6

Limit Bit	Settings	Description
-	1	Writing in FLASH memory

2. Turn ON the power of the External Device again.

### 3.30 Setting Example 30

#### ■ Settings of GP-Pro EX

##### ◆ Communication Settings

To display the setup screen, from the [Project] menu, point to [System Settings] and select [Device/PLC].

Device/PLC 1 | [Change Device/PLC](#)

Summary  
 Manufacturer  Series  Port   
 Text Data Mode  [Change](#)

Communication Settings

SIO Type  RS232C  RS422/485(2wire)  RS422/485(4wire)  
 Speed   
 Data Length  7  8  
 Parity  NONE  EVEN  ODD  
 Stop Bit  1  2  
 Flow Control  NONE  ER(DTR/CTS)  XON/XOFF  
 Timeout  (sec)  
 Retry   
 Wait To Send  (ms)  
 Procedure

RI / VCC  RI  VCC  
 In the case of RS232C, you can select the 9th pin to RI (Input) or VCC (5V Power Supply). If you use the Digital's RS232C Isolation Unit, please select it to VCC.


Device-Specific Settings

Allowable Number of Devices/PLCs  [Add Device](#)

No.	Device Name	Settings
<input type="button" value="1"/>	<input type="text" value="PLC1"/>	<input type="text" value="Series=H Series, Station No.=0"/>

- NOTE** • Setting value for Wait To Send differs depending on the External Device. Please refer to the manual of the External Device for more details.

### ◆ Device Setting

To display the [Individual Device Settings] dialog box, from [Device-Specific Settings] in the [Device/PLC] window, select the external device and click [Settings] .

To connect multiple External Devices, from [Device-Specific Settings] in the [Device/PLC] window, click [Add Device] to add another External Device.



### ■ Settings of External Device (EH-OB485)

Use the ladder software (LADDER EDITOR for Windows) for communication settings. Please refer to the manual of the External Device for more details.

### ◆ Procedure

1. Set the following communication settings in I/O No.WRF03D and turn I/O No.R7F6 ON to write the settings in the FLASH memory in the External Device.

#### • WRF03D

Limit Bit	Settings	Description
15	1 <sup>*1</sup>	Setting Change Request
14	1	Procedure 2
13	1	Station No.: Enable
11 to 8	0010(H)	Transmission speed: 19,200bps Please refer to the manual of the External Device for more details about other transmission speed settings.
7 to 0	0	Station No. <sup>*2</sup>

\*1 For communication settings, set "1". It will be changed to "0" when turning the power of the External Device again.

\*2 Set the Station No. with BCD 2 digits. Bit position of 7 to 4 corresponds to the digit of 10, and of 3 to 0 corresponds to the digit of 1.

#### • R7F6

Limit Bit	Settings	Description
-	1	Writing in FLASH memory

2. Turn ON the power of the External Device again.

### 3.31 Setting Example 31

#### ■ Settings of GP-Pro EX


##### ◆ Communication Settings

To display the setup screen, from the [Project] menu, point to [System Settings] and select [Device/PLC].

**NOTE** • Setting value for Wait To Send differs depending on the External Device. Please refer to the manual of the External Device for more details.



### ◆ Device Setting

To display the [Individual Device Settings] dialog box, from [Device-Specific Settings] in the [Device/PLC] window, select the external device and click [Settings] .

To connect multiple External Devices, from [Device-Specific Settings] in the [Device/PLC] window, click [Add Device] to add another External Device.



### ■ Settings of External Device (EH-OB485)

Use the ladder software (LADDER EDITOR for Windows) for communication settings. Please refer to the manual of the External Device for more details.

### ◆ Procedure

1. Set the following communication settings in I/O No.WRF03D and turn I/O No.R7F6 ON to write the settings in the FLASH memory in the External Device.

#### • WRF03D

Limit Bit	Settings	Description
15	1 <sup>*1</sup>	Setting Change Request
14	1	Procedure 2
13	1	Station No.: Enable
11 to 8	0010(H)	Transmission speed: 19,200bps Please refer to the manual of the External Device for more details about other transmission speed settings.
7 to 0	0	Station No. <sup>*2</sup>

\*1 For communication settings, set "1". It will be changed to "0" when turning the power of the External Device again.

\*2 Set the Station No. with BCD 2 digits. Bit position of 7 to 4 corresponds to the digit of 10, and of 3 to 0 corresponds to the digit of 1.

#### • R7F6

Limit Bit	Settings	Description
-	1	Writing in FLASH memory

2. Turn ON the power of the External Device again.

### 3.32 Setting Example 32

#### ■ Settings of GP-Pro EX

##### ◆ Communication Settings

To display the setup screen, from the [Project] menu, point to [System Settings] and select [Device/PLC].

Device/PLC 1

Summary [Change Device/PLC](#)

Manufacturer  Series  Port

Text Data Mode  [Change](#)

Communication Settings

SIO Type  RS232C  RS422/485(2wire)  RS422/485(4wire)

Speed

Data Length  7  8

Parity  NONE  EVEN  ODD

Stop Bit  1  2

Flow Control  NONE  ER(DTR/CTS)  XON/XOFF

Timeout  (sec)

Retry

Wait To Send  (ms)

Procedure

RI / VCC  RI  VCC

In the case of RS232C, you can select the 9th pin to RI (Input) or VCC (5V Power Supply). If you use the Digital's RS232C Isolation Unit, please select it to VCC.


Device-Specific Settings

Allowable Number of Devices/PLCs  [Add Device](#)

No.  Device Name  Settings

- NOTE** • Setting value for Wait To Send differs depending on the External Device. Please refer to the manual of the External Device for more details.

### ◆ Device Setting

To display the [Individual Device Settings] dialog box, from [Device-Specific Settings] in the [Device/PLC] window, select the external device and click [Settings] .

To connect multiple External Devices, from [Device-Specific Settings] in the [Device/PLC] window, click [Add Device] to add another External Device.



### ■ Settings of External Device (Web controller)

Use the Web Browser to access the External Device for communication setting. Please refer to the manual of the External Device for more details.

### ◆ Procedure

Please refer to the manual of the Web controller for more details.

1. If you set the operation mode setting switch of the External Device as follows, the temporary IP address of the Ethernet port will be set to 192.168.0.1.

<Operation Mode Setting Switch>

- Set the rotary switch to "2"

2. Use the LAN cable to connect the Ethernet port of PC to the Ethernet port of the Web controller.(connect via HUB or with the cross cable directly.)
3. Enter "http://192.168.0.1/mwconfig.cgi" in the address input box of the Web Browser to access the External Device.

To access, you need to set the upper 3 bytes of PC's IP address to 192.168.0.. (ex. 192.168.0.10)

4. Login in the displayed System Configuration Login screen.
5. Select [Serial Protocol]-[Passive HIProtocol] from [System Configuration] on the displayed screen for communication settings. After settings, click [SET] to confirm the setting values.

Serial-Passive HIProtocol

Setup Items	Setting Value
Interface Type	RS232C
Transmission Control Procedure	Procedure1 1:1 <sup>*1</sup>
Transmission Speed	19.2 kbps
Station No.	0

\*1 To use Procedure 2, select [Procedure2 1:1].

6. Set the operation mode setting switch of the External Device and turn ON the power again.

<Operation Mode Setting Switch>

- Set the rotary switch to "0"

### 3.33 Setting Example 33

#### ■ Settings of GP-Pro EX

##### ◆ Communication Settings

To display the setup screen, from the [Project] menu, point to [System Settings] and select [Device/PLC].

Device/PLC 1

Summary [Change Device/PLC](#)

Manufacturer  Series  Port

Text Data Mode  [Change](#)

Communication Settings

SIO Type  RS232C  RS422/485(2wire)  RS422/485(4wire)

Speed

Data Length  7  8

Parity  NONE  EVEN  ODD

Stop Bit  1  2

Flow Control  NONE  ER(DTR/CTS)  XON/XOFF

Timeout  (sec)

Retry

Wait To Send  (ms)

Procedure

RI / VCC  RI  VCC

In the case of RS232C, you can select the 9th pin to RI (Input) or VCC (5V Power Supply). If you use the Digital's RS232C Isolation Unit, please select it to VCC.

Device-Specific Settings


Allowable Number of Devices/PLCs  [Add Device](#)

No. Device Name Settings

No.	Device Name	Settings
1	<input type="text" value="PLC1"/>	<input type="text" value="Series=EHV Series"/>

**NOTE** • Setting value for Wait To Send differs depending on the External Device. Please refer to the manual of the External Device for more details.

### ◆ Device Setting

To display the [Individual Device Settings] dialog box, from [Device-Specific Settings] in the [Device/PLC] window, select the external device and click [Settings] .

To connect multiple External Devices, from [Device-Specific Settings] in the [Device/PLC] window, click [Add Device] to add another External Device.



### ■ Settings of External Device (Serial port on the CPU unit)

Use the programming software (Control Editor) for communication settings. Please refer to the manual of the External Device for more details.

#### ◆ Procedure

1. Start the programming software and create the project. The project is displayed in the offline mode.
2. Select [Editor Communication Setting] from the [Tool] menu to display the communication setting dialog box.
3. Select either "USB" or "Serial" for the communication method to transfer the communication setting to the External Device and click [Setting].
4. Use the USB cable or serial cable (by Hitachi IES Co., Ltd.) to connect PC to the External Device.
5. Select [Mode Change] - [Online] from the [Online] menu to move to the online mode.
6. Select [CPU Settings] - [Serial Communication Settings] from the [Tool] menu to perform the communication settings.

- CPU Communication Settings (Serial Communication Settings)

Setup Items	Settings
Serial Communication Settings	Specified
Port Type	RS232C
Speed	19.2 kbps
Communication Procedure	Procedure 1 (1:1) <sup>*1</sup>

\*1 To use Procedure 2 for communication, select [Procedure 2 (1:1)].

7. Turn ON the power of the External Device again.

### 3.34 Setting Example 34

#### ■ Settings of GP-Pro EX

##### ◆ Communication Settings

To display the setup screen, from the [Project] menu, point to [System Settings] and select [Device/PLC].

Device/PLC 1

Summary [Change Device/PLC](#)

Manufacturer  Series  Port

Text Data Mode  [Change](#)

Communication Settings

SIO Type  RS232C  RS422/485(2wire)  RS422/485(4wire)

Speed

Data Length  7  8

Parity  NONE  EVEN  ODD

Stop Bit  1  2

Flow Control  NONE  ER(DTR/CTS)  XON/XOFF

Timeout  (sec)

Retry

Wait To Send  (ms)

Procedure

RI / VCC  RI  VCC

In the case of RS232C, you can select the 9th pin to RI (Input) or VCC (5V Power Supply). If you use the Digital's RS232C Isolation Unit, please select it to VCC.

[Default](#)

Device-Specific Settings


Allowable Number of Devices/PLCs  [Add Device](#)

No.	Device Name	Settings
<input type="text" value="1"/>	<input type="text" value="PLC1"/>	<input type="text" value="Series=EHV Series, Station No.=0"/>

[Add Indirect Device](#)

- NOTE** • Setting value for Wait To Send differs depending on the External Device. Please refer to the manual of the External Device for more details.

### ◆ Device Setting

To display the [Individual Device Settings] dialog box, from [Device-Specific Settings] in the [Device/PLC] window, select the external device and click [Settings] .

To connect multiple External Devices, from [Device-Specific Settings] in the [Device/PLC] window, click [Add Device] to add another External Device.



### ■ Settings of External Device (Serial port on the CPU unit)

Use the programming software (Control Editor) for communication settings. Please refer to the manual of the External Device for more details.

### ◆ Procedure

1. Start the programming software and create the project. The project is displayed in the offline mode.
2. Select [Editor Communication Setting] from the [Tool] menu to display the communication setting dialog box.
3. Select either "USB" or "Serial" for the communication method to transfer the communication setting to the External Device and click [Setting].
4. Use the USB cable or serial cable (by Hitachi IES Co., Ltd.) to connect PC to the External Device.
5. Select [Mode Change] - [Online] from the [Online] menu to move to the online mode.
6. Select [CPU Settings] - [Serial Communication Settings] from the [Tool] menu to perform the communication settings.

#### • CPU Communication Settings (Serial Communication Settings)

Setup Items	Settings
Serial Communication Settings	Specified
Port Type	RS422/RS485
Speed	19.2 kbps
Communication Procedure	Procedure 1 (1:n) <sup>*1</sup>
Station No.	Enter the Station No. set on the display. <sup>*2</sup>

\*1 To use Procedure 2 for communication, select [Procedure 2 (1:n)].

\*2 If you set the Station No. to "None", communication is not available.

7. Turn ON the power of the External Device again.

### 3.35 Setting Example 35

#### ■ Settings of GP-Pro EX

##### ◆ Communication Settings

To display the setup screen, from the [Project] menu, point to [System Settings] and select [Device/PLC].

Device/PLC 1

Summary [Change Device/PLC](#)

Manufacturer  Series  Port

Text Data Mode  [Change](#)

Communication Settings

SIO Type  RS232C  RS422/485(2wire)  RS422/485(4wire)

Speed

Data Length  7  8

Parity  NONE  EVEN  ODD

Stop Bit  1  2

Flow Control  NONE  ER(DTR/CTS)  XON/XOFF

Timeout  (sec)

Retry

Wait To Send  (ms)

Procedure

RI / VCC  RI  VCC

In the case of RS232C, you can select the 9th pin to RI (Input) or VCC (5V Power Supply). If you use the Digital's RS232C Isolation Unit, please select it to VCC.

[Default](#)

Device-Specific Settings


Allowable Number of Devices/PLCs  [Add Device](#)

No.	Device Name	Settings	Add Indirect Device
<input type="text" value="1"/>	<input type="text" value="PLC1"/>	<input type="text" value="Series=EHV Series, Station No.=0"/>	<input type="button" value="+"/>

- NOTE** • Setting value for Wait To Send differs depending on the External Device. Please refer to the manual of the External Device for more details.



### ◆ Device Setting

To display the [Individual Device Settings] dialog box, from [Device-Specific Settings] in the [Device/PLC] window, select the external device and click [Settings] .

To connect multiple External Devices, from [Device-Specific Settings] in the [Device/PLC] window, click [Add Device] to add another External Device.



### ■ Settings of External Device (Serial port on the CPU unit)

Use the programming software (Control Editor) for communication settings. Please refer to the manual of the External Device for more details.

#### ◆ Procedure

1. Start the programming software and create the project. The project is displayed in the offline mode.
2. Select [Editor Communication Setting] from the [Tool] menu to display the communication setting dialog box.
3. Select either "USB" or "Serial" for the communication method to transfer the communication setting to the External Device and click [Setting].
4. Use the USB cable or serial cable (by Hitachi IES Co., Ltd.) to connect PC to the External Device.
5. Select [Mode Change] - [Online] from the [Online] menu to move to the online mode.
6. Select [CPU Settings] - [Serial Communication Settings] from the [Tool] menu to perform the communication settings.

- CPU Communication Settings (Serial Communication Settings)

Setup Items	Settings
Serial Communication Settings	Specified
Port Type	RS422/RS485
Speed	19.2 kbps
Communication Procedure	Procedure 1 (1:n) <sup>*1</sup>
Station No.	Enter the Station No. set on the display. <sup>*2</sup>

\*1 To use Procedure 2 for communication, select [Procedure 2 (1:n)].

\*2 If you set the Station No. to "None", communication is not available.

7. Turn ON the power of the External Device again.

### 3.36 Setting Example 36

#### ■ Settings of GP-Pro EX

##### ◆ Communication Settings

To display the setup screen, from the [Project] menu, point to [System Settings] and select [Device/PLC].

Device/PLC 1

Summary [Change Device/PLC](#)

Manufacturer  Series  Port

Text Data Mode  [Change](#)

Communication Settings

SIO Type  RS232C  RS422/485(2wire)  RS422/485(4wire)

Speed

Data Length  7  8

Parity  NONE  EVEN  ODD

Stop Bit  1  2

Flow Control  NONE  ER(DTR/CTS)  XON/XOFF

Timeout  (sec)

Retry

Wait To Send  (ms)

Procedure

RI / VCC  RI  VCC

In the case of RS232C, you can select the 9th pin to RI (Input) or VCC (5V Power Supply). If you use the Digital's RS232C Isolation Unit, please select it to VCC.


Device-Specific Settings

Allowable Number of Devices/PLCs  [Add Device](#)

No.  Device Name  Settings

- NOTE** • Setting value for Wait To Send differs depending on the External Device. Please refer to the manual of the External Device for more details.

### ◆ Device Setting

To display the [Individual Device Settings] dialog box, from [Device-Specific Settings] in the [Device/PLC] window, select the external device and click [Settings] .

To connect multiple External Devices, from [Device-Specific Settings] in the [Device/PLC] window, click [Add Device] to add another External Device.



### ■ Settings of External Device (EH-SIO)

Use the switch on the EH-SIO for communication settings. After setting, assign I/O, and turn ON the power of the External Device again to enable the setting. Use the ladder software (Control Editor) for the I/O assignment.

Please refer to the manual of the External Device for more details.

### ◆ Procedure

1. Use the DIP switch on the EH-SIO for communication settings.
  - Communication Setting Switch 1 (for Port 1)

DIP Switch	Settings	Description
01	OFF	Speed: 19,200 bps Please refer to the manual of the External Device for more details about other transmission speed settings.
02	ON	
03	ON	
04	ON	
05	OFF	Transmission character configuration settings Data Length: 7 bits Stop Bit: 1 bit Parity: Even
06	ON	
07	OFF	
08	OFF	Always OFF

2. Ladder program is required for initial settings. Please refer to the manual of the External Device for more details.

### 3.37 Setting Example 37

#### ■ Settings of GP-Pro EX

##### ◆ Communication Settings

To display the setup screen, from the [Project] menu, point to [System Settings] and select [Device/PLC].

Device/PLC 1

Summary [Change Device/PLC](#)

Manufacturer  Series  Port

Text Data Mode  [Change](#)

Communication Settings

SID Type  RS232C  RS422/485(2wire)  RS422/485(4wire)

Speed

Data Length  7  8

Parity  NONE  EVEN  ODD

Stop Bit  1  2

Flow Control  NONE  ER(DTR/CTS)  XON/XOFF

Timeout  (sec)

Retry

Wait To Send  (ms)

Procedure

RI / VCC  RI  VCC

In the case of RS232C, you can select the 9th pin to RI (Input) or VCC (5V Power Supply). If you use the Digital's RS232C Isolation Unit, please select it to VCC.

Device-Specific Settings


Allowable Number of Devices/PLCs  [Add Device](#)

No. Device Name Settings

No.	Device Name	Settings
1	<input type="text" value="PLC1"/>	<input type="text" value="Series=EHV Series"/>

- 
- NOTE** • Setting value for Wait To Send differs depending on the External Device. Please refer to the manual of the External Device for more details.
-

### ◆ Device Setting

To display the [Individual Device Settings] dialog box, from [Device-Specific Settings] in the [Device/PLC] window, select the external device and click [Settings] .

To connect multiple External Devices, from [Device-Specific Settings] in the [Device/PLC] window, click [Add Device] to add another External Device.



### ■ Settings of External Device (EH-SIO)

Use the switch on the EH-SIO for communication settings. After setting, assign I/O, and turn ON the power of the External Device again to enable the setting. Use the ladder software (Control Editor) for the I/O assignment.

Please refer to the manual of the External Device for more details.

### ◆ Procedure

1. Use the DIP switch on the EH-SIO for communication settings.
  - Communication Setting Switch 2 (for Port 2)

DIP Switch	Settings	Description
01	OFF	Speed: 19,200 bps Please refer to the manual of the External Device for more details about other transmission speed settings.
02	ON	
03	ON	
04	ON	
05	OFF	Transmission character configuration settings Data Length: 7 bits Stop Bit: 1 bit Parity: Even
06	ON	
07	OFF	
08	OFF	Interface Type: RS232C

2. Ladder program is required for initial settings. Please refer to the manual of the External Device for more details.

### 3.38 Setting Example 38


#### ■ Settings of GP-Pro EX

##### ◆ Communication Settings

To display the setup screen, from the [Project] menu, point to [System Settings] and select [Device/PLC].

- NOTE** • Setting value for Wait To Send differs depending on the External Device. Please refer to the manual of the External Device for more details.

### ◆ Device Setting

To display the [Individual Device Settings] dialog box, from [Device-Specific Settings] in the [Device/PLC] window, select the external device and click [Settings] .

To connect multiple External Devices, from [Device-Specific Settings] in the [Device/PLC] window, click [Add Device] to add another External Device.



### ■ Settings of External Device (EH-SIO)

Use the switch on the EH-SIO for communication settings. After setting, assign I/O, and turn ON the power of the External Device again to enable the setting. Use the ladder software (Control Editor) for the I/O assignment.

Please refer to the manual of the External Device for more details.

### ◆ Procedure

1. Use the DIP switch on the EH-SIO for communication settings.
  - Communication Setting Switch 2 (for Port 2)

DIP Switch	Settings	Description
01	OFF	Speed: 19,200 bps Please refer to the manual of the External Device for more details about other transmission speed settings.
02	ON	
03	ON	
04	ON	
05	OFF	Transmission character configuration settings Data Length: 7 bits Stop Bit: 1 bit Parity: Even
06	ON	
07	OFF	
08	ON	Interface Type: RS422/RS485

2. Ladder program is required for initial settings. Please refer to the manual of the External Device for more details.

### 3.39 Setting Example 39

#### ■ Settings of GP-Pro EX

##### ◆ Communication Settings

To display the setup screen, from the [Project] menu, point to [System Settings] and select [Device/PLC].

Device/PLC 1

Summary [Change Device/PLC](#)

Manufacturer  Series  Port

Text Data Mode  [Change](#)

Communication Settings

SIO Type  RS232C  RS422/485(2wire)  RS422/485(4wire)

Speed

Data Length  7  8

Parity  NONE  EVEN  ODD

Stop Bit  1  2

Flow Control  NONE  ER(DTR/CTS)  XON/XOFF

Timeout  (sec)

Retry

Wait To Send  (ms)

Procedure

RI / VCC  RI  VCC

In the case of RS232C, you can select the 9th pin to RI (Input) or VCC (5V Power Supply). If you use the Digital's RS232C Isolation Unit, please select it to VCC.

Device-Specific Settings


Allowable Number of Devices/PLCs  [Add Device](#)

No.	Device Name	Settings
<input type="button" value="1"/>	<input type="text" value="PLC1"/>	<input type="text" value="Series=EHV Series,Station No.=0"/>

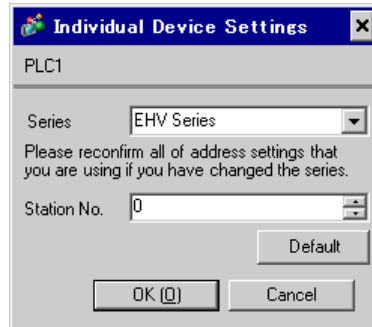
- NOTE** • Setting value for Wait To Send differs depending on the External Device. Please refer to the manual of the External Device for more details.



### ◆ Device Setting

To display the [Individual Device Settings] dialog box, from [Device-Specific Settings] in the [Device/PLC] window, select the external device and click [Settings] .

To connect multiple External Devices, from [Device-Specific Settings] in the [Device/PLC] window, click [Add Device] to add another External Device.



### ■ Settings of External Device (EH-SIO)

Use the switch on the EH-SIO for communication settings. After setting, assign I/O, and turn ON the power of the External Device again to enable the setting. Use the ladder software (Control Editor) for the I/O assignment. Please refer to the manual of the External Device for more details.

### ◆ Procedure

1. Use the DIP switch on the EH-SIO for communication settings.
  - Communication Setting Switch 2 (for Port 2)

DIP Switch	Settings	Description
01	OFF	Speed: 19,200 bps Please refer to the manual of the External Device for more details about other transmission speed settings.
02	ON	
03	ON	
04	ON	
05	OFF	Transmission character configuration settings Data Length: 7 bits Stop Bit: 1 bit Parity: Even
06	ON	
07	OFF	
08	ON	Interface Type: RS422/RS485

2. Ladder program is required for initial settings. Please refer to the manual of the External Device for more details.

## 3.40 Setting Example 40

### ■ Settings of GP-Pro EX

#### ◆ Communication Settings

To display the setup screen, from the [Project] menu, point to [System Settings] and select [Device/PLC].

Device/PLC 1

Summary [Change Device/PLC](#)

Manufacturer  Series  Port

Text Data Mode  [Change](#)

Communication Settings

SIO Type  RS232C  RS422/485(2wire)  RS422/485(4wire)

Speed

Data Length  7  8

Parity  NONE  EVEN  ODD

Stop Bit  1  2

Flow Control  NONE  ER(DTR/CTS)  XON/XOFF

Timeout  (sec)

Retry

Wait To Send  (ms)

Procedure

RI / VCC  RI  VCC

In the case of RS232C, you can select the 9th pin to RI (Input) or VCC (5V Power Supply). If you use the Digital's RS232C Isolation Unit, please select it to VCC.

[Default](#)


Device-Specific Settings

Allowable Number of Devices/PLCs 16 [Add Device](#)

No.	Device Name	Settings	Add Indirect Device
<input type="text" value="1"/>	<input type="text" value="PLC1"/>	<input type="text" value="Series=Web Controller Series"/>	<input type="button" value="+"/>

- NOTE** • Setting value for Wait To Send differs depending on the External Device. Please refer to the manual of the External Device for more details.

### ◆ Device Setting

To display the [Individual Device Settings] dialog box, from [Device-Specific Settings] in the [Device/PLC] window, select the external device and click [Settings] .

To connect multiple External Devices, from [Device-Specific Settings] in the [Device/PLC] window, click [Add Device] to add another External Device.



### ■ Settings of External Device (Web controller)

Use the Web Browser to access the External Device for communication setting. Please refer to the manual of the External Device for more details.

### ◆ Procedure

Please refer to the manual of the Web controller for more details.

1. If you set the operation mode setting switch of the External Device as follows, the temporary IP address of the Ethernet port will be set to 192.168.0.1.

<Operation Mode Setting Switch>

- Set only the DIP switch4 to ON

2. Use the LAN cable to connect the Ethernet port of PC to the Ethernet port of the Web controller.(connect via HUB or with the cross cable directly.)
3. Enter "http://192.168.0.1/mwconfig.cgi" in the address input box of the Web Browser to access the External Device.

To access, you need to set the upper 3 bytes of PC's IP address to 192.168.0.. (ex. 192.168.0.10)

4. Login in the displayed System Configuration Login screen.
5. Select [Serial Protocol]-[Passive HIProtocol] from [System Configuration] on the displayed screen for communication settings. After settings, click [SET] to confirm the setting values.

Serial-Passive HIProtocol

Setup Items	Setting Value
Interface Type	RS232C
Transmission Control Procedure	Procedure1 1:1 <sup>*1</sup>
Transmission Speed	19.2 kbps
Station No.	0

\*1 To use Procedure 2, select [Procedure2 1:1].

6. Set the operation mode setting switch of the External Device and turn ON the power again.

<Operation Mode Setting Switch>

- Set all the DIP switch to OFF

### 3.41 Setting Example 41

#### ■ Settings of GP-Pro EX

##### ◆ Communication Settings

To display the setup screen, from the [Project] menu, point to [System Settings] and select [Device/PLC].

Device/PLC 1

Summary [Change Device/PLC](#)

Manufacturer  Series  Port

Text Data Mode  [Change](#)

Communication Settings

SIO Type  RS232C  RS422/485(2wire)  RS422/485(4wire)

Speed

Data Length  7  8

Parity  NONE  EVEN  ODD

Stop Bit  1  2

Flow Control  NONE  ER(DTR/CTS)  XON/XOFF

Timeout  (sec)

Retry

Wait To Send  (ms)

Procedure

RI / VCC  RI  VCC

In the case of RS232C, you can select the 9th pin to RI (Input) or VCC (5V Power Supply). If you use the Digital's RS232C Isolation Unit, please select it to VCC.


Device-Specific Settings

Allowable Number of Devices/PLCs  [Add Device](#)

No.	Device Name	Settings
<input type="button" value="1"/>	<input type="text" value="PLC1"/>	<input type="text" value="Series=Web Controller Series,Station No.=0"/> <input type="button" value="Add Indirect Device"/>

- NOTE** • Setting value for Wait To Send differs depending on the External Device. Please refer to the manual of the External Device for more details.

### ◆ Device Setting

To display the [Individual Device Settings] dialog box, from [Device-Specific Settings] in the [Device/PLC] window, select the external device and click [Settings] .

To connect multiple External Devices, from [Device-Specific Settings] in the [Device/PLC] window, click [Add Device] to add another External Device.



### ■ Settings of External Device (Web controller)

Use the Web Browser to access the External Device for communication setting. Please refer to the manual of the External Device for more details.

### ◆ Procedure

Please refer to the manual of the Web controller for more details.

1. If you set the operation mode setting switch of the External Device as follows, the temporary IP address of the Ethernet port will be set to 192.168.0.1.

<Operation Mode Setting Switch>

- Set only the DIP switch4 to ON

2. Use the LAN cable to connect the Ethernet port of PC to the Ethernet port of the Web controller.(connect via HUB or with the cross cable directly.)
3. Enter "http://192.168.0.1/mwconfig.cgi" in the address input box of the Web Browser to access the External Device.

To access, you need to set the upper 3 bytes of PC's IP address to 192.168.0.. (ex. 192.168.0.10)

4. Login in the displayed System Configuration Login screen.
5. Select [Serial Protocol]-[Passive HIProtocol] from [System Configuration] on the displayed screen for communication settings. After settings, click [SET] to confirm the setting values.

Serial-Passive HIProtocol

Setup Items	Setting Value
Interface Type	RS-422/485
Transmission Control Procedure	Procedure1 1:1 <sup>*1</sup>
Transmission Speed	19.2 kbps
Station No.	0

\*1 To use Procedure 2, select [Procedure2 1:1].

6. Set the operation mode setting switch of the External Device and turn ON the power again.

<Operation Mode Setting Switch>

- Set all the DIP switch to OFF

## 3.42 Setting Example 42

### ■ Settings of GP-Pro EX

#### ◆ Communication Settings

To display the setup screen, from the [Project] menu, point to [System Settings] and select [Device/PLC].

Device/PLC 1

Summary [Change Device/PLC](#)

Manufacturer  Series  Port

Text Data Mode  [Change](#)

Communication Settings

SID Type  RS232C  RS422/485(2wire)  RS422/485(4wire)

Speed

Data Length  7  8

Parity  NONE  EVEN  ODD

Stop Bit  1  2

Flow Control  NONE  ER(DTR/CTS)  XON/XOFF

Timeout  (sec)

Retry

Wait To Send  (ms)

Procedure

RI / VCC  RI  VCC

In the case of RS232C, you can select the 9th pin to RI (Input) or VCC (5V Power Supply). If you use the Digital's RS232C Isolation Unit, please select it to VCC.


Device-Specific Settings

Allowable Number of Devices/PLCs  [Add Device](#)

No.	Device Name	Settings
<input type="text" value="1"/>	<input type="text" value="PLC1"/>	<input type="text" value="Series=Web Controller Series,Station No.=0"/>

- NOTE** • Setting value for Wait To Send differs depending on the External Device. Please refer to the manual of the External Device for more details.

### ◆ Device Setting

To display the [Individual Device Settings] dialog box, from [Device-Specific Settings] in the [Device/PLC] window, select the external device and click [Settings] .

To connect multiple External Devices, from [Device-Specific Settings] in the [Device/PLC] window, click [Add Device] to add another External Device.



### ■ Settings of External Device (Web controller)

Use the Web Browser to access the External Device for communication setting. Please refer to the manual of the External Device for more details.

### ◆ Procedure

Please refer to the manual of the Web controller for more details.

1. If you set the operation mode setting switch of the External Device as follows, the temporary IP address of the Ethernet port will be set to 192.168.0.1.

<Operation Mode Setting Switch>

- Set only the DIP switch4 to ON

2. Use the LAN cable to connect the Ethernet port of PC to the Ethernet port of the Web controller.(connect via HUB or with the cross cable directly.)
3. Enter "http://192.168.0.1/mwconfig.cgi" in the address input box of the Web Browser to access the External Device.

To access, you need to set the upper 3 bytes of PC's IP address to 192.168.0.. (ex. 192.168.0.10)

4. Login in the displayed System Configuration Login screen.
5. Select [Serial Protocol]-[Passive HIProtocol] from [System Configuration] on the displayed screen for communication settings. After settings, click [SET] to confirm the setting values.

Serial-Passive HIProtocol

Setup Items	Setting Value
Interface Type	RS-422/485
Transmission Control Procedure	Procedure1 1:1 <sup>*1</sup>
Transmission Speed	19.2 kbps
Station No.	0

\*1 To use Procedure 2, select [Procedure2 1:1].

6. Set the operation mode setting switch of the External Device and turn ON the power again.


<Operation Mode Setting Switch>

- Set all the DIP switch to OFF

## 4 Setup Items

Set communication settings of the Display with GP-Pro Ex or in offline mode of the Display.

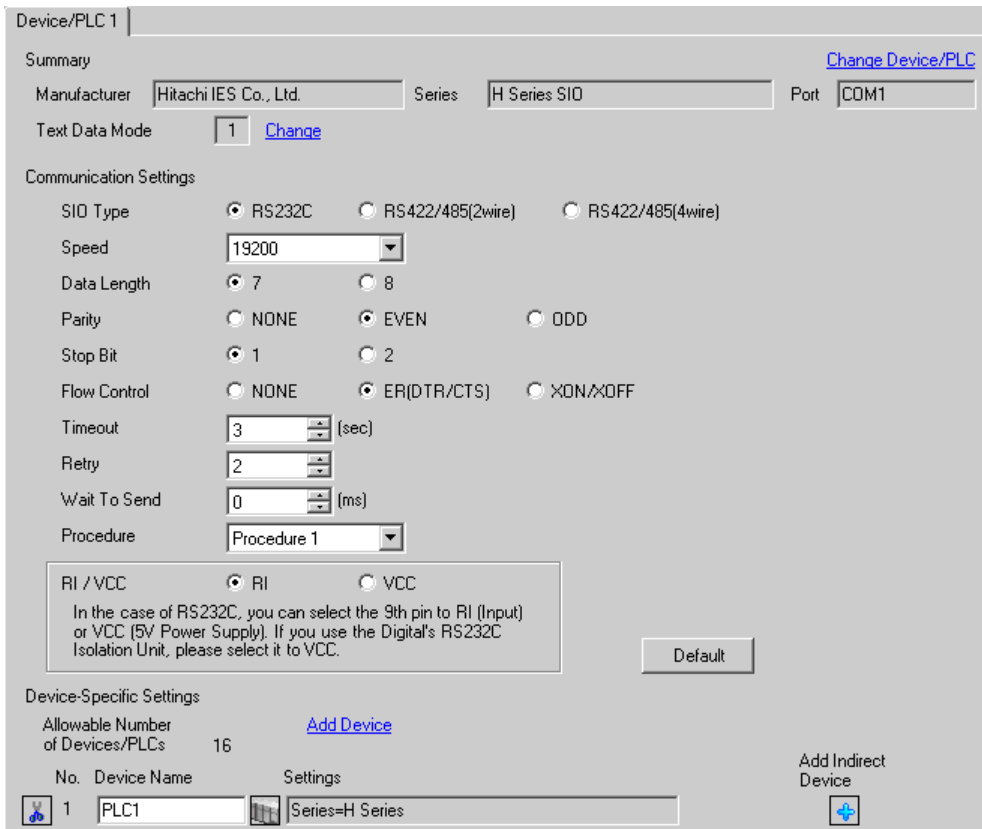
The setting of each parameter must be identical to that of External Device.

 "3 Example of Communication Setting" (page 12)

### 4.1 Setup Items in GP-Pro EX

#### ■ Communication Settings

To display the setup screen, from the [Project] menu, point to [System Settings] and select [Device/PLC].



Setup Items	Setup Description
SIO Type	Select the SIO type to communicate with the External Device.
Speed	Select speed between the External Device and the Display.
Data Length	Select data length.
Parity	Select how to check parity.
Stop Bit	Select stop bit length.
Flow Control	Select the communication control method to prevent overflow of transmission and reception data.
Timeout	Use an integer from 1 to 127 to enter the time (s) for which the Display waits for the response from the External Device.




Setup Items	Setup Description
Retry	In case of no response from the External Device, use an integer from 0 to 255 to enter how many times the Display retransmits the command.
Wait To Send	Use an integer from "0 to 255" to enter standby time (ms) for the Display from receiving packets to transmitting next commands.
Procedure	Select the transmission control procedure on the External Device.
RI/VCC	You can switch RI/VCC of the 9th pin when you select RS232C for SIO type. It is necessary to change RI/5V by changeover switch of IPC when connect with IPC. Please refer to the manual of the IPC for more detail.

**NOTE**

- Refer to the GP-Pro EX Reference Manual for Indirect Device.  
Cf. GP-Pro EX Reference Manual "Changing the Device/PLC at Runtime (Indirect Device)"

## ■ Device Setting

To display the [Individual Device Settings] dialog box, from [Device-Specific Settings] in the [Device/PLC] window, select the external device and click [Settings] .

To connect multiple External Devices, from [Device-Specific Settings] in the [Device/PLC] window, click [Add Device] to add another External Device.



Setup Items	Setup Description
Series	Selects a model of the External Device.
Station No.	Enter the unit No. of the External Device.

## 4.2 Settings in Offline Mode

- NOTE** • Refer to the Maintenance/Troubleshooting guide for information on how to enter offline mode or about the operation.

Cf. Maintenance/Troubleshooting Guide "Offline Mode"

- The number of the setup items to be displayed for 1 page in the offline mode depends on the Display in use. Please refer to the Reference manual for details.

### ■ Communication Settings

To display the setting screen, touch [Device/PLC Settings] from [Peripheral Equipment Settings] in the offline mode. Touch the External Device you want to set from the displayed list.

Comm.	Device	Option		
H Series SIO		[COM1]	Page 1/1	
SIO Type	RS232C			
Speed	19200			
Data Length	<input checked="" type="radio"/> 7 <input type="radio"/> 8			
Parity	<input type="radio"/> NONE <input checked="" type="radio"/> EVEN <input type="radio"/> ODD			
Stop Bit	<input checked="" type="radio"/> 1 <input type="radio"/> 2			
Flow Control	ER(DTR/CTS)			
Timeout(s)		3	▼	▲
Retry		2	▼	▲
Wait To Send(ms)		0	▼	▲
Procedure	Procedure 1			
Exit		Back		2006/05/15 11:31:09

Setup Items	Setup Description
SIO Type	Select the SIO type to communicate with the External Device. <b>IMPORTANT</b> To make the communication settings correctly, confirm the serial interface specifications of Display unit for [SIO Type]. We cannot guarantee the operation if a communication type that the serial interface does not support is specified. For details concerning the serial interface specifications, refer to the manual for Display unit.
Speed	Select speed between the External Device and the Display.
Data Length	Select data length.
Parity	Select how to check parity.
Stop Bit	Select stop bit length.

Setup Items	Setup Description
Flow Control	Select the communication control method to prevent overflow of transmission and reception data.
Timeout	Use an integer from 1 to 127 to enter the time (s) for which the Display waits for the response from the External Device.
Retry	In case of no response from the External Device, use an integer from 0 to 255 to enter how many times the Display retransmits the command.
Wait To Send	Use an integer from "0 to 255" to enter standby time (ms) for the Display from receiving packets to transmitting next commands.
Procedure	Select the transmission control procedure on the External Device.

## ■ Device Setting

To display the setting screen, touch [Device/PLC Settings] from [Peripheral Equipment Settings]. Touch the External Device you want to set from the displayed list, and touch [Device Settings].

Comm.	Device	Option		
H Series SIO		[COM1]	Page 1/1	
Device/PLC Name		PLC1		
Series		H Series		
Station No.		0		
Exit		Back		2006/05/15 11:31:12

Setup Items	Setup Description
Device/PLC name	Select the External Device to set. Device name is a title of the External Device set with GP-Pro EX. (Initial value [PLC1])
Series	Displays a model of the External Device.
Station No.	Enter the unit No. of the External Device.

## ■ Option

To display the setting screen, touch [Device/PLC Settings] from [Peripheral Equipment Settings]. Touch the External Device you want to set from the displayed list, and touch [Option].

Comm.	Device	Option		
H Series SIO			[COM1]	Page 1/1
RI / VCC                      ● RI                      ● VCC In the case of RS232C, you can select the 9th pin to RI(Input) or VCC(5V Power Supply). If you use the Digital's RS232C Isolation Unit, please select it to VCC.				
	Exit		Back	2006/05/15 11:31:14

Setup Items	Setup Description
RI/VCC	Switches RI/VCC of the 9th pin. It is necessary to change RI/5V by changeover switch of IPC when connect with IPC. Please refer to the manual of the IPC for more detail.

### NOTE

- GP-4100 series, GP-4\*01TM, LT-4\*01TM and LT-Rear Module do not have the [Option] setting in the offline mode.

## 5 Cable Diagram

The following cable diagrams may be different from cable diagrams recommended by External Device Manufacturer.

Please be assured there is no operational problem in applying the cable diagram shown in this manual.

- The FG pin of the External Device body must be grounded according to your country's applicable standard. Refer to your External Device manual for details.
- SG and FG are connected inside the Display. When connecting the External Device to SG, design your system to avoid short-circuit loops.
- Connect an isolation unit if the communication is not stable due to noise or other factors.

### 5.1 Cable Diagram 1

Display (Connection Port)	Cable *1		Remarks
GP3000 (COM1) GP4000*2 (COM1) SP5000 (COM1/2) ST (COM1) LT3000 (COM1) IPC*3 PC/AT	1A	By Hitachi IES Co., Ltd. WVCB02H	Cable length: 15m or less
	1B	User-created cable1	
	1C	User-created cable2	
GP-4105 (COM1)	1D	User-created cable1	Cable length: 15m or less
	1E	User-created cable2	

\*1 You need to change the wiring depending on the speed.

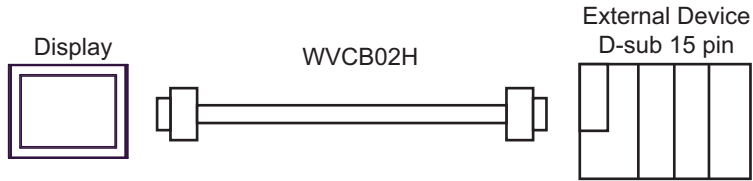
	H-200 H-250 H-252B		H-252C		H-300/H-302 H-700/H-702 H-2000/H-2002		H-4010	
	Speed	Wiring	Speed	Wiring	Speed	Wiring	Speed	Wiring
Peripheral Port 1 or Serial Port 1	2400bps 4800bps 9600bps	1B 1D	2400bps 4800bps 9600bps 19200bps	1A 1B 1C 1D 1E	4800bps	1B 1D	4800bps	1B 1D
	19200bps	1A 1C 1E			19200bps	1A 1C 1E	19200bps 38400bps	1A, 1C, 1E 1A, 1B, 1C 1D, 1E
Peripheral Port 2 or Serial Port 2	-	-	4800bps	1B, 1D	-	-	4800bps	1B, 1D
			19200bps	1A 1C 1E			19200bps	1A, 1C, 1E
							38400bps	1A, 1B, 1C 1D, 1E

\*2 All GP4000 models except GP-4100 series and GP-4203T

\*3 Only the COM port which can communicate by RS-232C can be used.

- IPC COM Port (page 9)

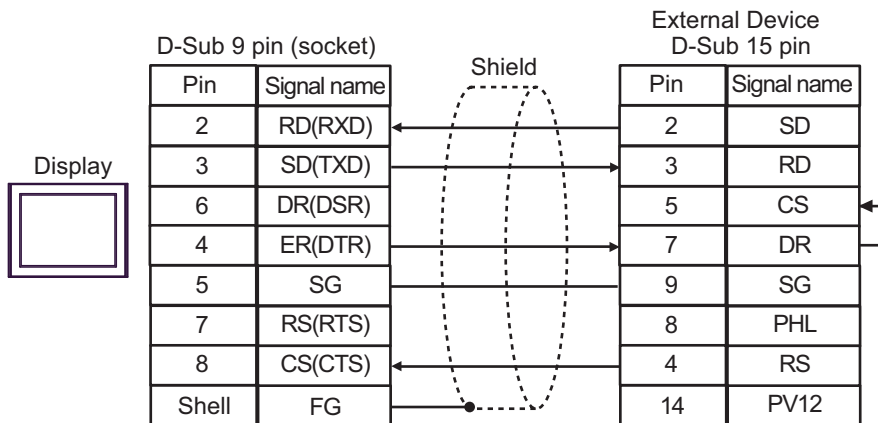
1A)



**NOTE**

- Cable length: 15m or less

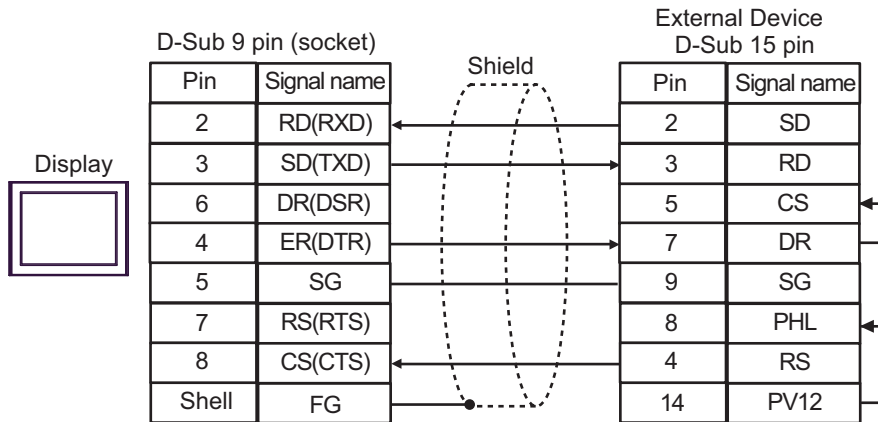
1B)



**NOTE**

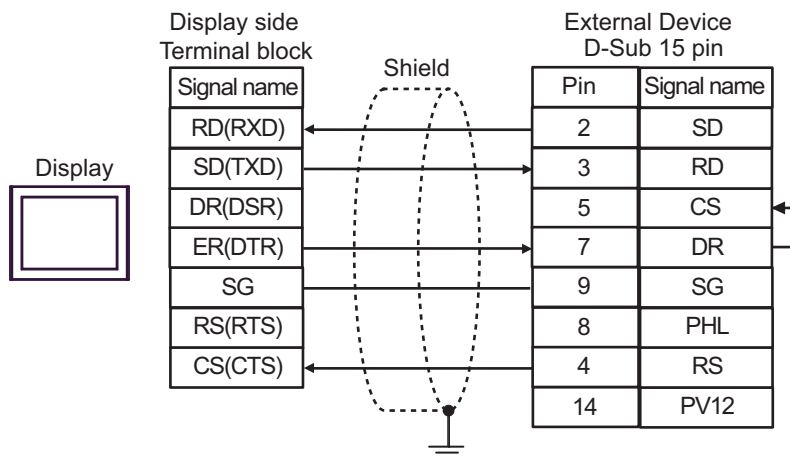
- Cable length: 15m or less

1C)

**NOTE**

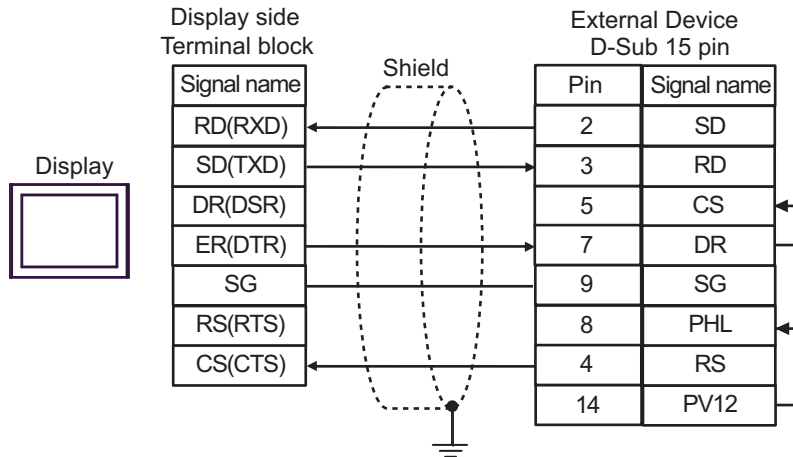
- Cable length: 15m or less

1D)

**NOTE**

- Cable length: 15m or less

1E)

**NOTE**

- Cable length: 15m or less



## 5.2 Cable Diagram 2

Display (Connection Port)	Cable		Remarks
GP3000 <sup>*1</sup> (COM1) AGP-3302B (COM2) GP-4*01TM (COM1) ST <sup>*2</sup> (COM2) LT3000 (COM1) IPC <sup>*3</sup>	2A	COM port conversion adapter by Pro-face CA3-ADPCOM-01 + Terminal block conversion adapter by Pro-face CA3-ADPTRM-01 + User-created cable	Cable length: 250m or less
	2B	User-created cable	
GP3000 <sup>*4</sup> (COM2)	2C	Online adapter by Pro-face CA4-ADPONL-01 + Terminal block conversion adapter by Pro-face CA3-ADPTRM-01 + User-created cable	Cable length: 250m or less
	2D	Online adapter by Pro-face CA4-ADPONL-01 + User-created cable	
GP-4106 (COM1)	2E	User-created cable	Cable length: 250m or less
GP4000 <sup>*5</sup> (COM2) GP-4201T (COM1) SP5000 (COM1/2)	2F	RS-422 terminal block conversion adapter by Pro-face PFXZCBADTM1 <sup>*6</sup> + User-created cable	Cable length: 250m or less
	2B	User-created cable	

\*1 All GP3000 models except AGP-3302B

\*2 All ST models except AST-3211A and AST-3302B

\*3 Only the COM port which can communicate by RS-422/485 (4 wire) can be used.  
■ IPC COM Port (page 9)

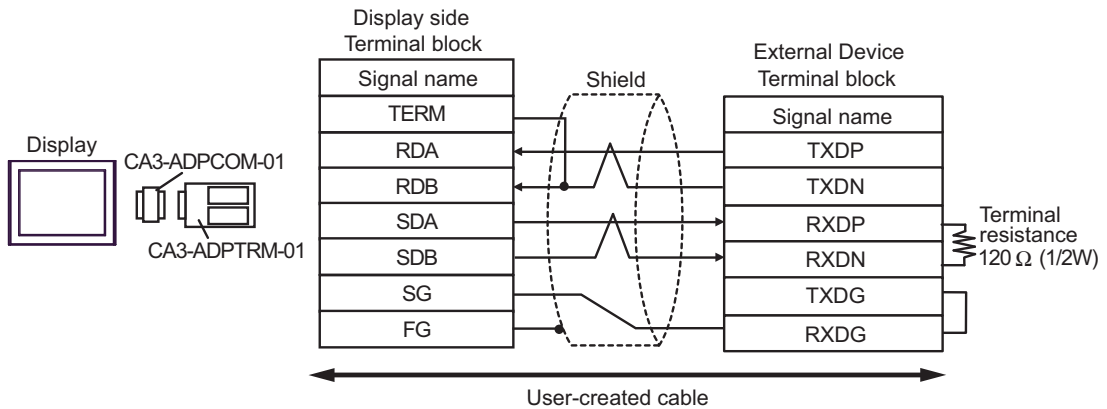
\*4 All GP3000 models except GP-3200 series and AGP-3302B

\*5 All GP4000 models except GP-4100 series, GP-4\*01TM, GP-4201T and GP-4\*03T

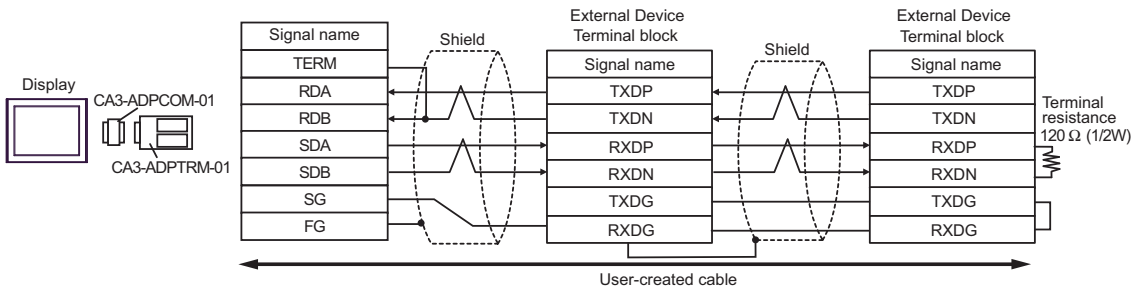
\*6 When using a Terminal Block Conversion Adapter (CA3-ADPTRM-01) instead of the RS-422 Terminal Block Conversion Adapter, refer to Cable Diagram 2A.

2A)

- 1:1 Connection



- 1:n Connection

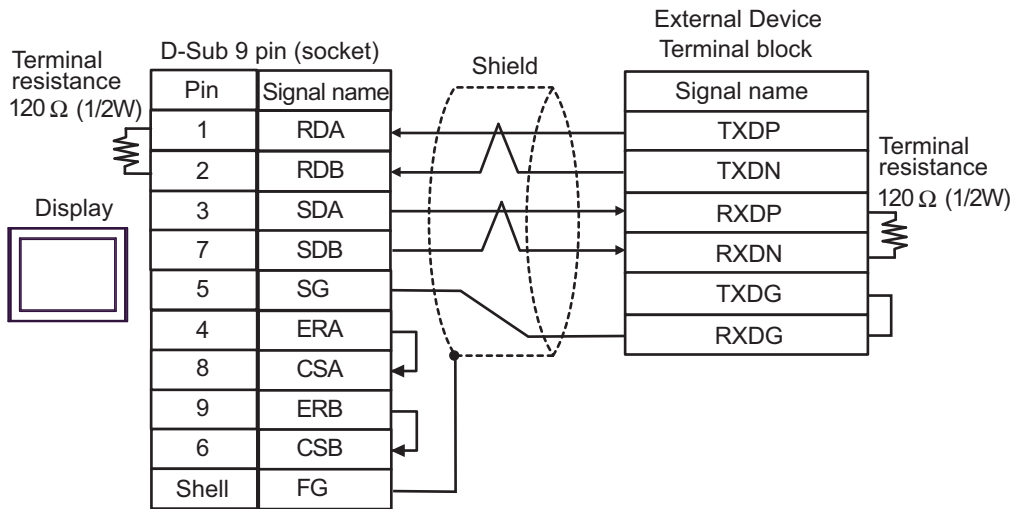


**NOTE**

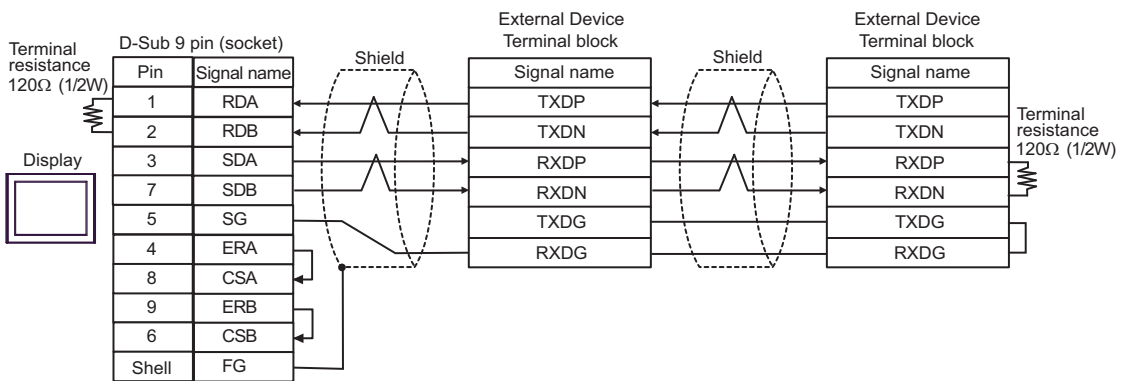
- Cable length: 250m or less

2B)

- 1:1 Connection



- 1:n Connection

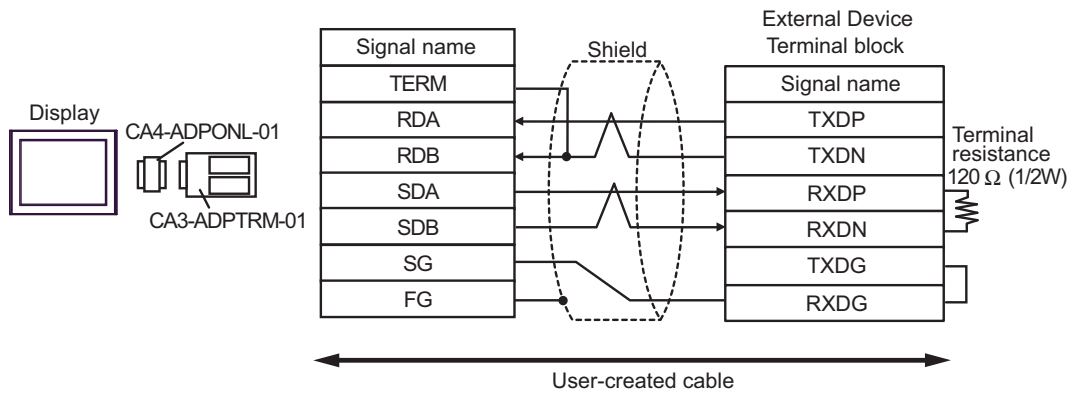


**NOTE**

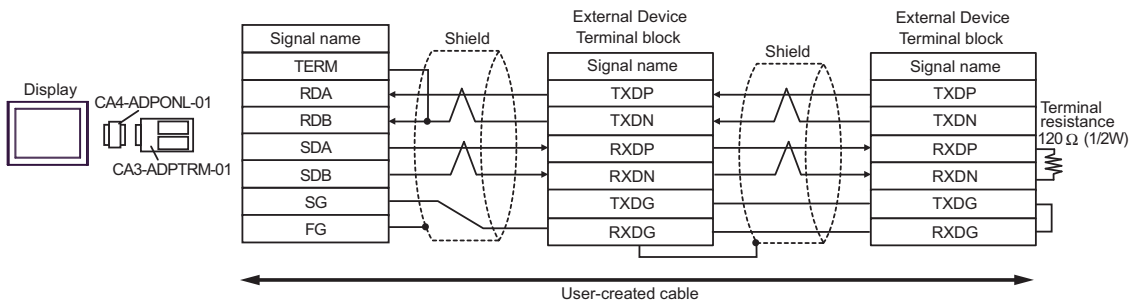
- Cable length: 250m or less

2C)

- 1:1 Connection



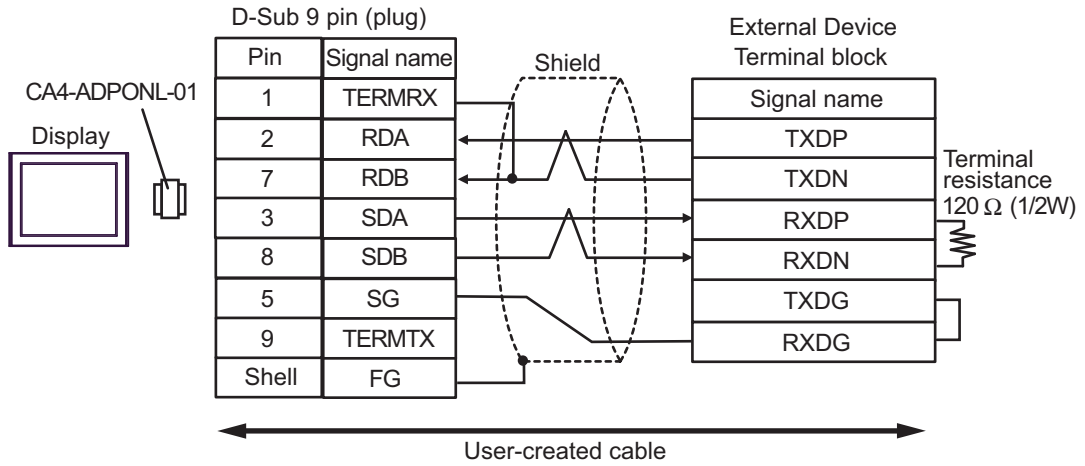
- 1:n Connection

**NOTE**

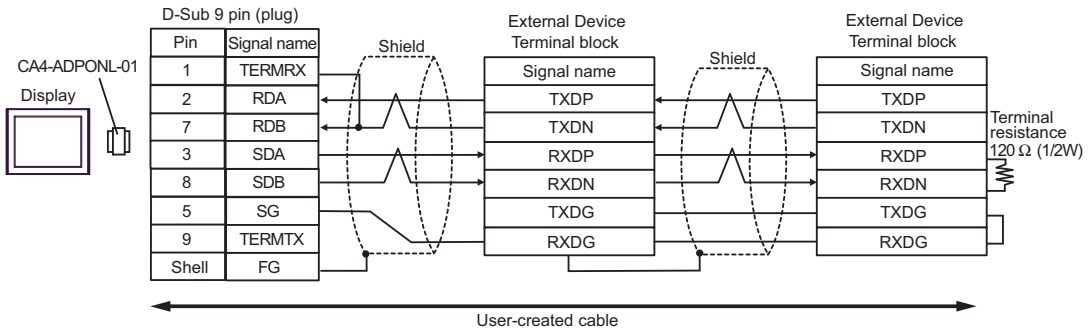
- Cable length: 250m or less

2D)

- 1:1 Connection



- 1:n Connection

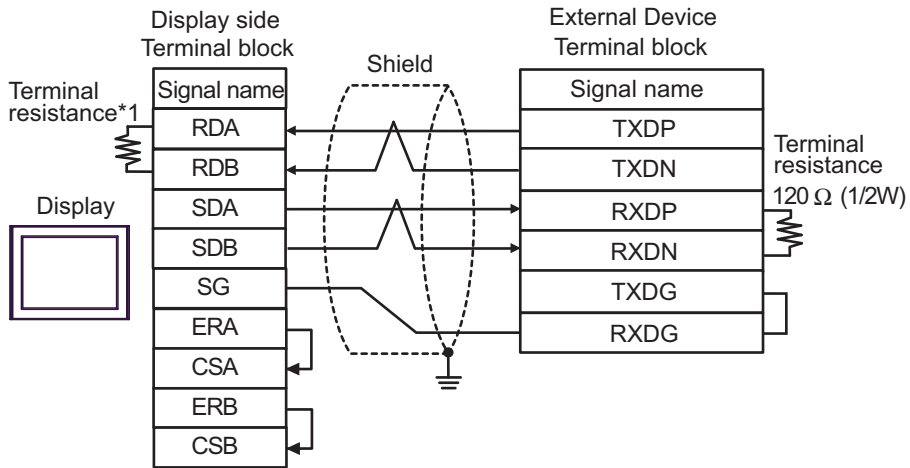


**NOTE**

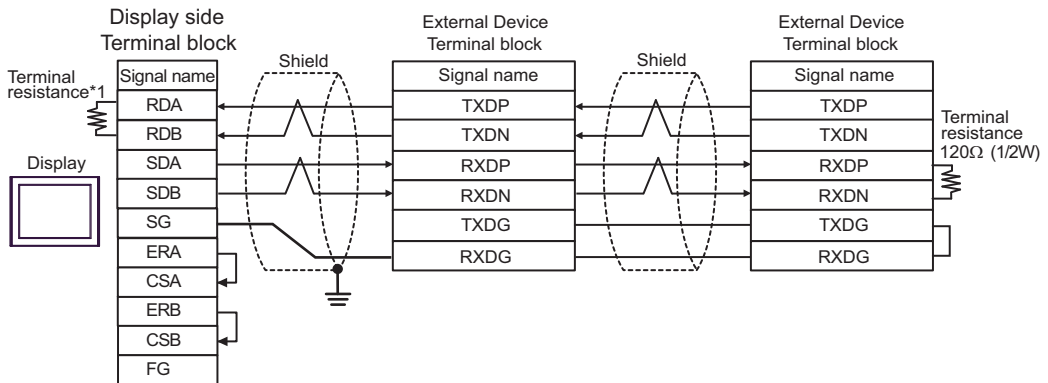
- Cable length: 250m or less

2E)

- 1:1 Connection



- 1:n Connection



**NOTE**

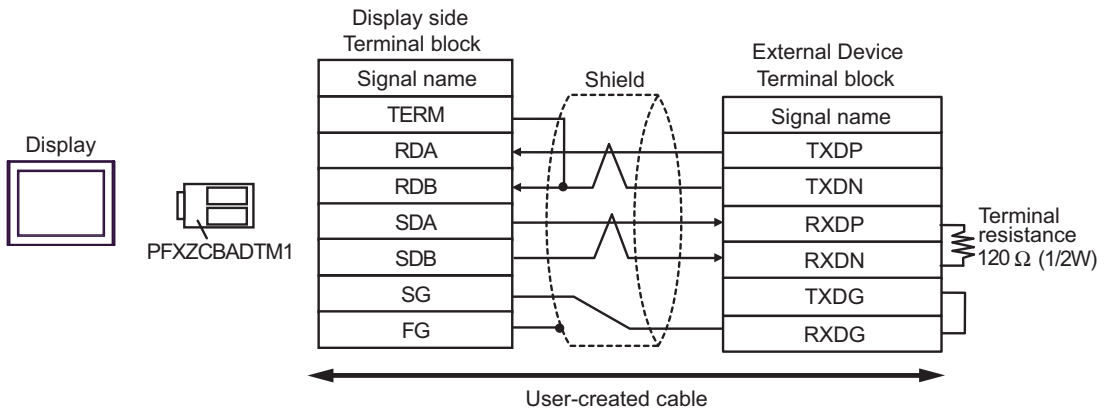
- Cable length: 250m or less

\*1 The resistance in the Display is used as the termination resistance. Set the value of the DIP Switch on the rear of the Display as shown in the table below.

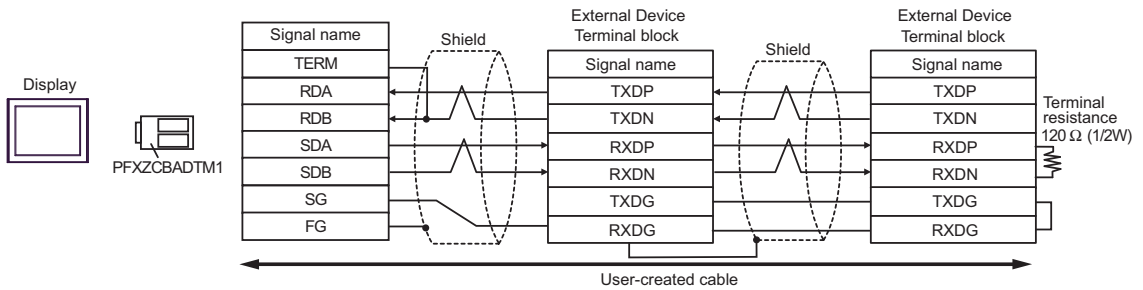
DIP Switch No.	Set Value
1	OFF
2	OFF
3	ON
4	ON

2F)

- 1:1 Connection



- 1:n Connection



**NOTE**

- Cable length: 250m or less

## 5.3 Cable Diagram 3

Display (Connection Port)	Cable *1		Remarks
GP3000 (COM1) GP4000*2 (COM1) SP5000 (COM1/2) ST (COM1) LT3000 (COM1) IPC*3 PC/AT	3A	By Hitachi IES Co., Ltd. EH-VCB02(2m)	Cable length: 15m or less
	3B	By Hitachi IES Co., Ltd. WVCB02H(2m) + Conversion cable by Hitachi IES Co., Ltd. EH-RS05(0.5m)	
	3C	User-created cable 1 + Conversion cable by Hitachi IES Co., Ltd. EH-RS05(0.5m)	
	3D	User-created cable 2 + Conversion cable by Hitachi IES Co., Ltd. EH-RS05(0.5m)	
GP-4105 (COM1)	3E	User-created cable + By Hitachi IES Co., Ltd. EH-VCB02(2m)	Cable length: 15m or less
	3F	User-created cable 1 + Conversion cable by Hitachi IES Co., Ltd. EH-RS05(0.5m)	
	3G	User-created cable 2 + Conversion cable by Hitachi IES Co., Ltd. EH-RS05(0.5m)	

\*1 You need to change the wiring depending on the speed.

	EH-150	
	Speed	Wiring
Peripheral Port 1 or Serial Port 1	4800bps	3A, 3B
	9600bps	3C, 3D
	19200bps	3E, 3F
	38400bps	3G
Peripheral Port 2 or Serial Port 2	4800bps	3A, 3C
	9600bps	3E, 3F
	19200bps	3B, 3D
	38400bps	3G

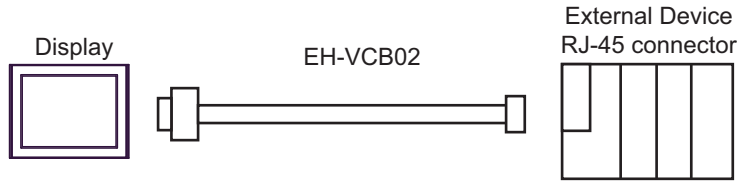
\*2 All GP4000 models except GP-4100 series and GP-4203T

\*3 Only the COM port which can communicate by RS-232C can be used.

■ IPC COM Port (page 9)



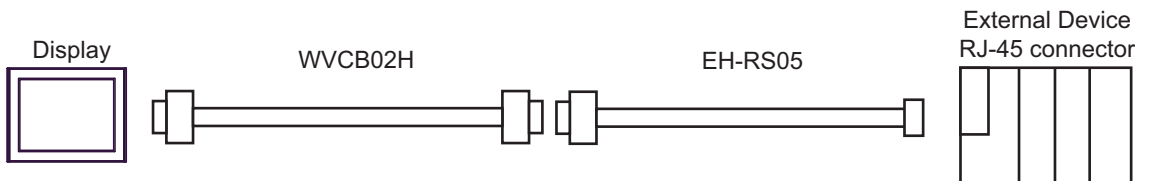
3A)



**NOTE**

- Cable length: 15m or less

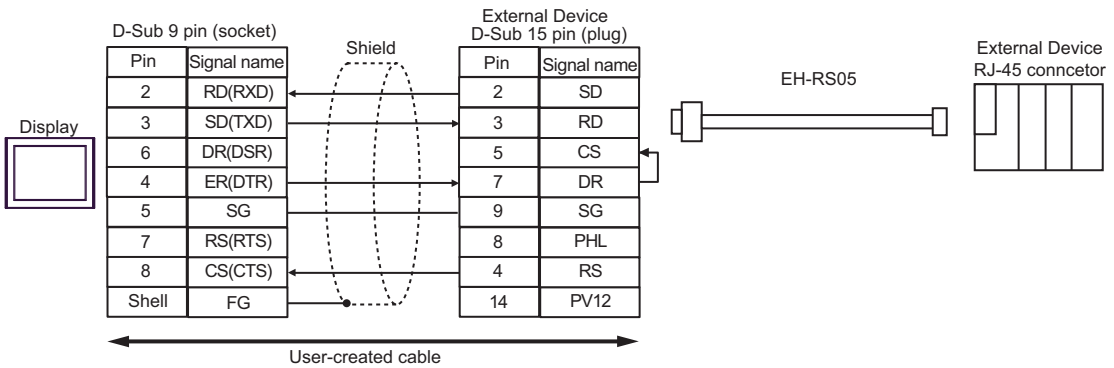
3B)



**NOTE**

- Cable length: 15m or less

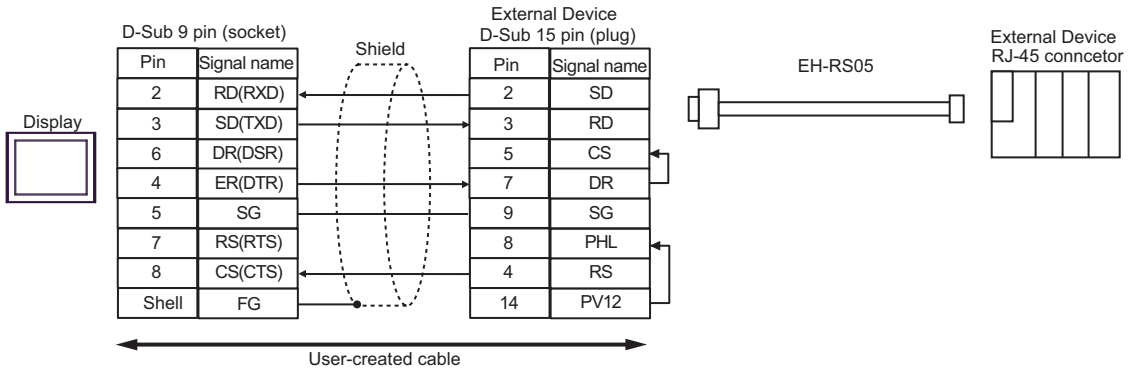
3C)



**NOTE**

- Cable length: 15m or less

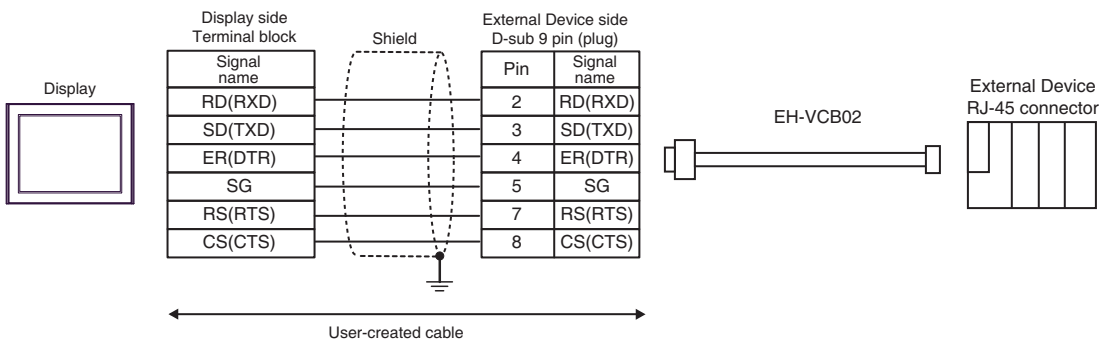
3D)



**NOTE**

- Cable length: 15m or less

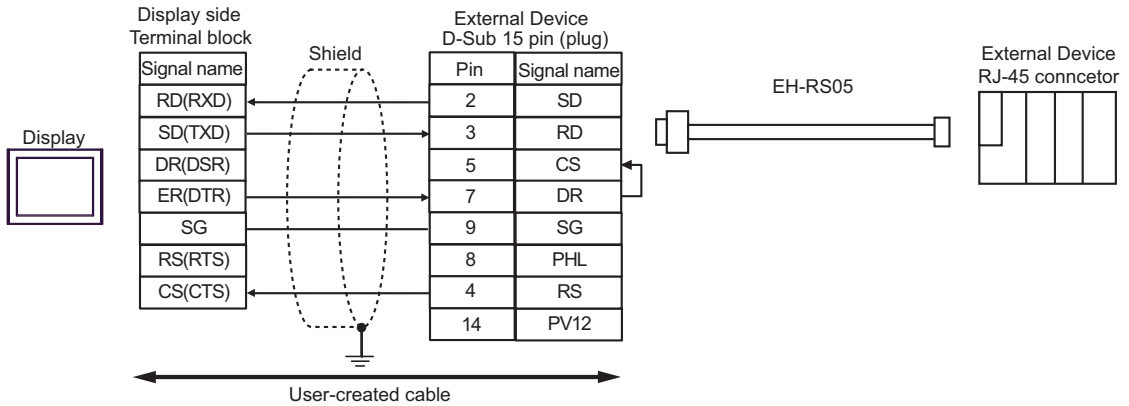
3E)



**NOTE**

- Cable length: 15m or less

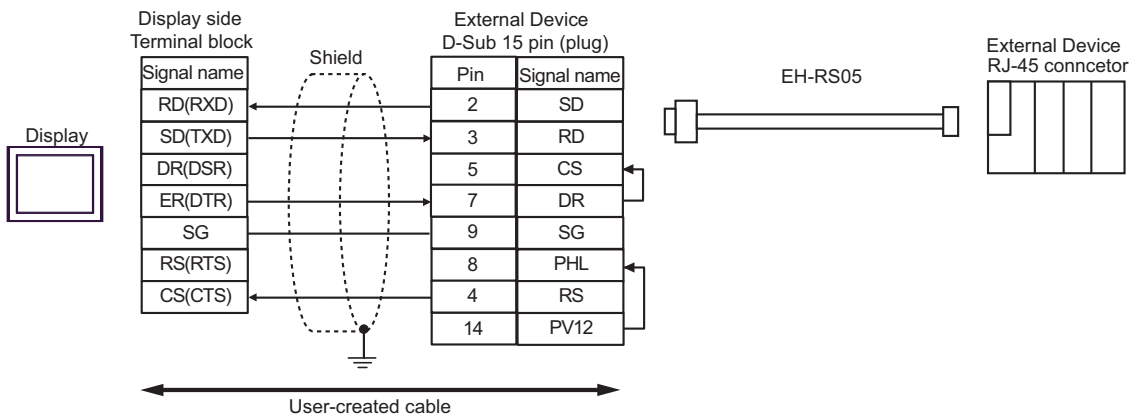
3F)



**NOTE**

- Cable length: 15m or less

3G)



**NOTE**

- Cable length: 15m or less

## 5.4 Cable Diagram 4

Display (Connection Port)	Cable		Remarks
GP3000* <sup>1</sup> (COM1) AGP-3302B (COM2) GP-4*01TM (COM1) ST* <sup>2</sup> (COM2) LT3000 (COM1) IPC* <sup>3</sup>	4A	COM port conversion adapter by Pro-face CA3-ADPCOM-01 + Terminal block conversion adapter by Pro-face CA3-ADPTRM-01 + Conversion cable by Hitachi IES Co., Ltd. EH-RS05	Cable length: 500m or less
	4B	User-created cable + Conversion cable by Hitachi IES Co., Ltd. EH-RS05	
GP3000* <sup>4</sup> (COM2)	4C	Online adapter by Pro-face CA4-ADPONL-01 + Terminal block conversion adapter by Pro-face CA3-ADPTRM-01 + Conversion cable by Hitachi IES Co., Ltd. EH-RS05	Cable length: 500m or less
	4D	Online adapter by Pro-face CA4-ADPONL-01 + User-created cable + Conversion cable by Hitachi IES Co., Ltd. EH-RS05	
GP-4106 (COM1)	4E	User-created cable + Conversion cable by Hitachi IES Co., Ltd. EH-RS05	Cable length: 500m or less
GP4000* <sup>5</sup> (COM2) GP-4201T (COM1) SP5000 (COM1/2)	4F	RS-422 terminal block conversion adapter by Pro-face PFXZCBADTM1* <sup>6</sup> + Conversion cable by Hitachi IES Co., Ltd. EH-RS05	Cable length: 500m or less
	4B	User-created cable + Conversion cable by Hitachi IES Co., Ltd. EH-RS05	

\*1 All GP3000 models except AGP-3302B

\*2 All ST models except AST-3211A and AST-3302B

\*3 Only the COM port which can communicate by RS-422/485 (4 wire) can be used.

■ IPC COM Port (page 9)

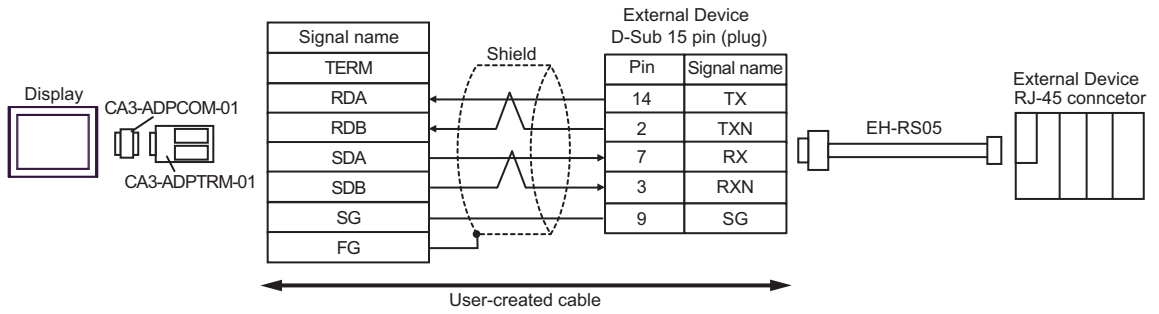
\*4 All GP3000 models except GP-3200 series and AGP-3302B

\*5 All GP4000 models except GP-4100 series, GP-4\*01TM, GP-4201T and GP-4\*03T

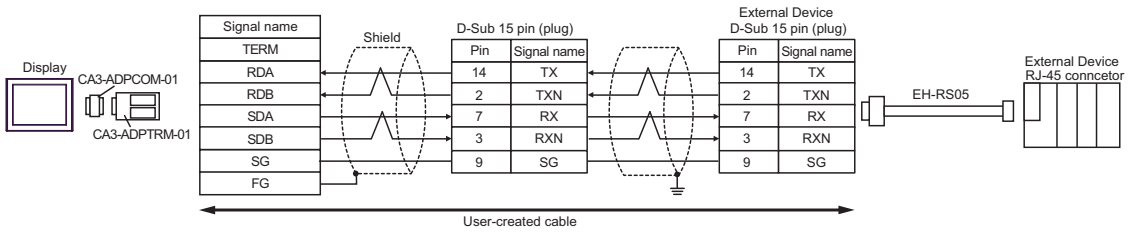
\*6 When using a Terminal Block Conversion Adapter (CA3-ADPTRM-01) instead of the RS-422 Terminal Block Conversion Adapter, refer to Cable Diagram 4A.

4A)

- 1:1 Connection



- 1:n Connection



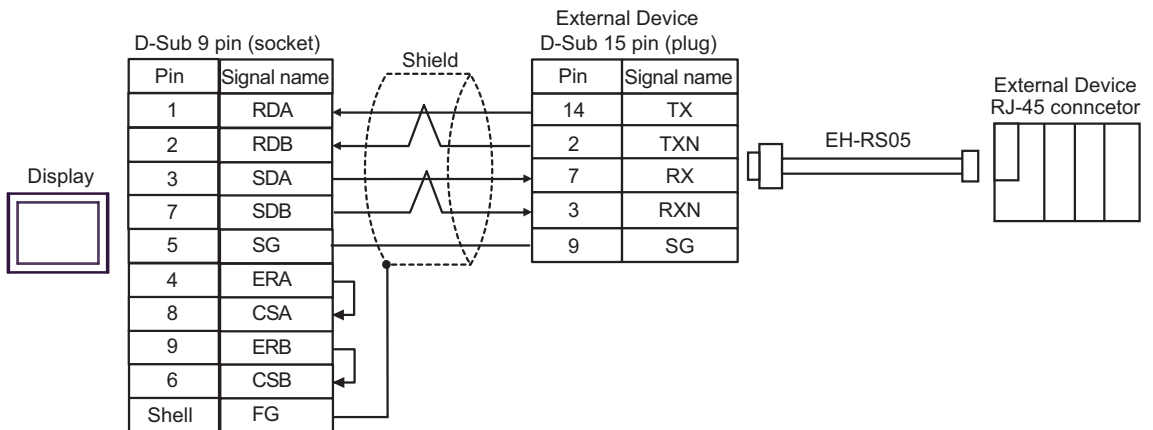
**NOTE**

- Cable length: 500m or less

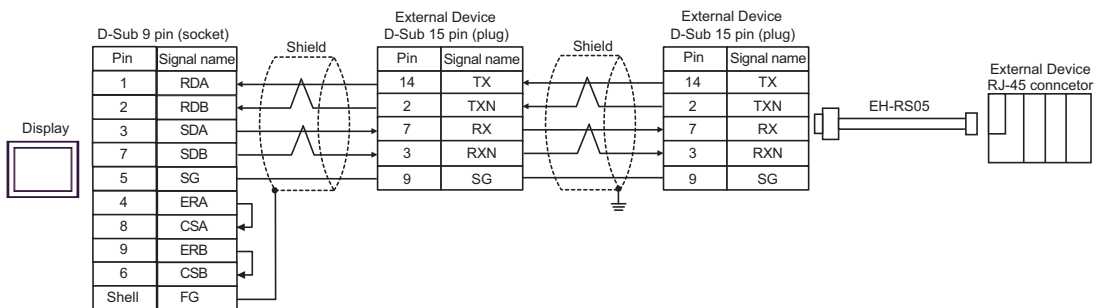
\*For more information about the termination resistance, contact Hitachi IES Co., Ltd.

4B)

- 1:1 Connection



- 1:n Connection

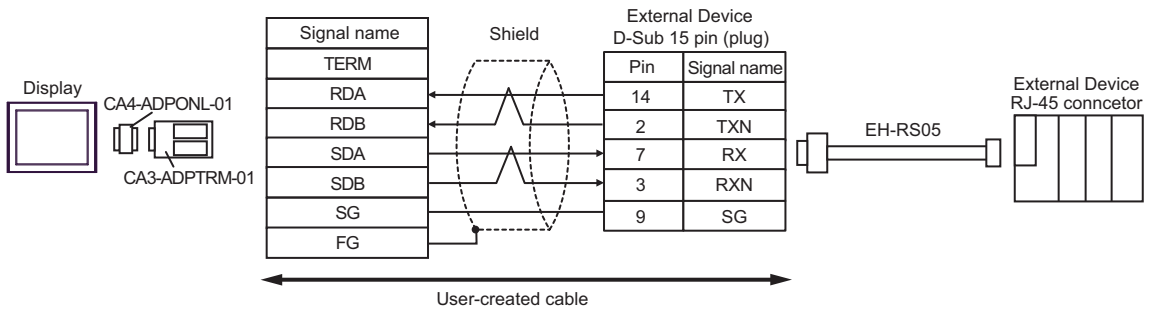
**NOTE**

- Cable length: 500m or less

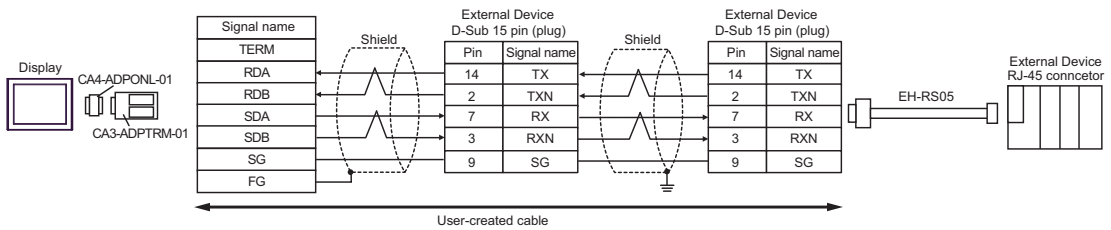
\*For more information about the termination resistance, contact Hitachi IES Co., Ltd.

4C)

- 1:1 Connection



- 1:n Connection

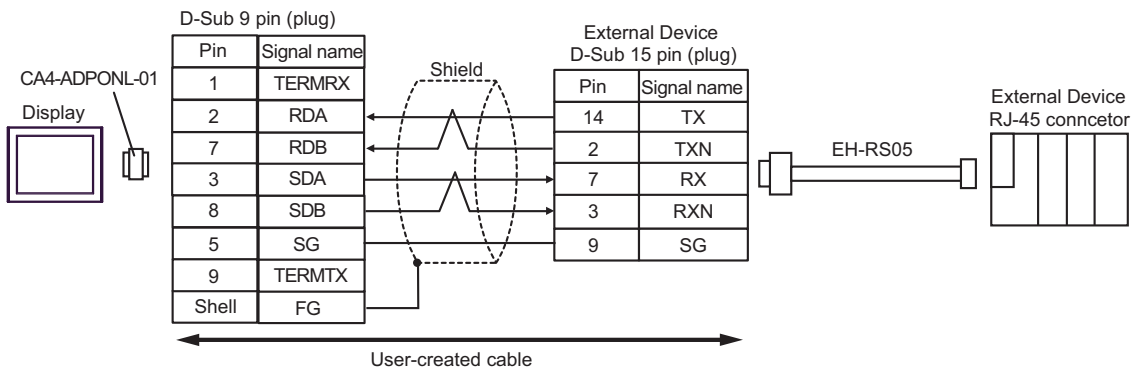
**NOTE**

- Cable length: 500m or less

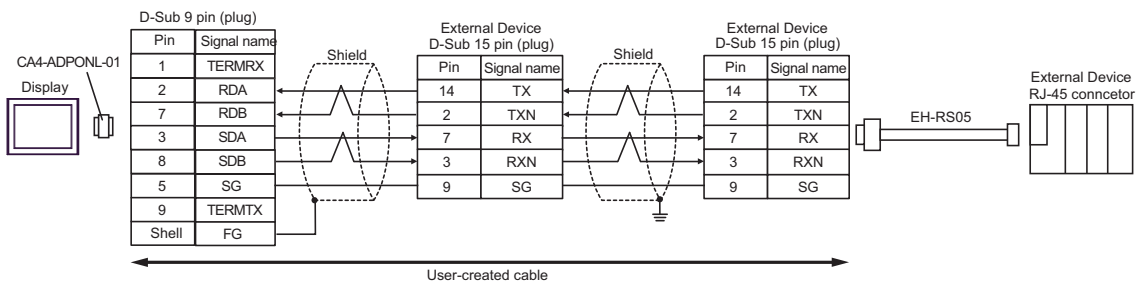
\*For more information about the termination resistance, contact Hitachi IES Co., Ltd.

4D)

- 1:1 Connection



- 1:n Connection



**NOTE**

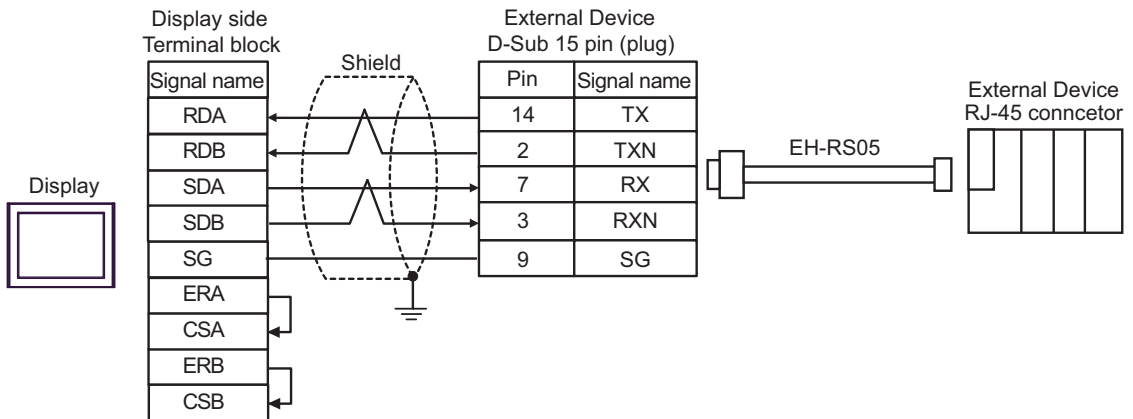
- Cable length: 500m or less

\*For more information about the termination resistance, contact Hitachi IES Co., Ltd.

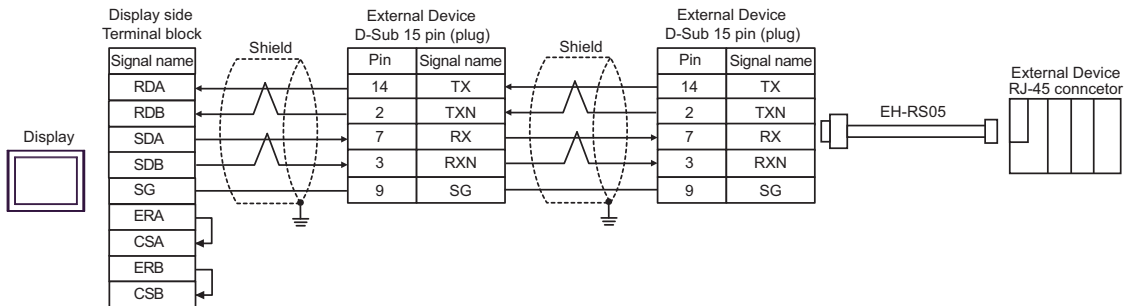


4E)

- 1:1 Connection



- 1:n Connection

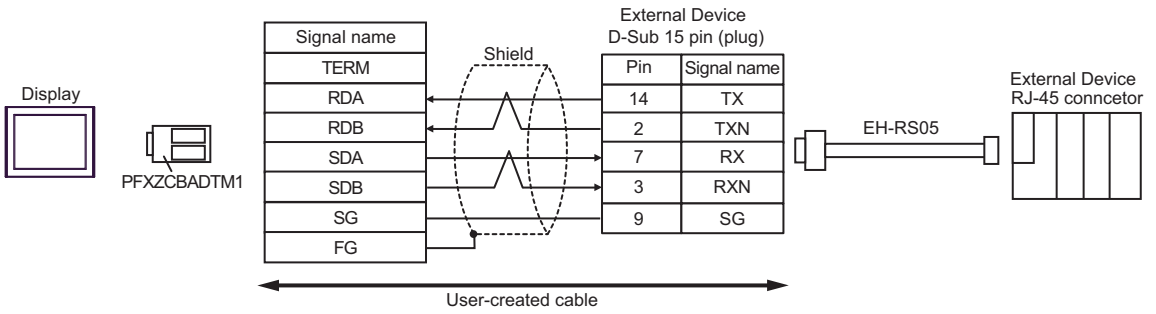
**NOTE**

- Cable length: 500m or less

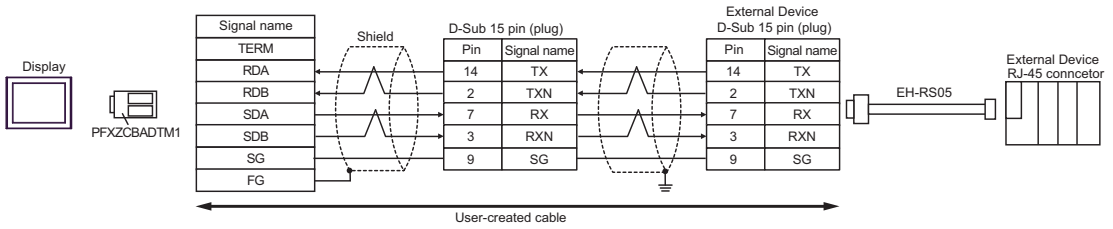
\*For more information about the termination resistance, contact Hitachi IES Co., Ltd.

4F)

- 1:1 Connection



- 1:n Connection



**NOTE**

- Cable length: 500m or less

\*For more information about the termination resistance, contact Hitachi IES Co., Ltd.

## 5.5 Cable Diagram 5

Display (Connection Port)	Cable		Remarks
GP3000* <sup>1</sup> (COM1) AGP-3302B (COM2) GP-4*01TM (COM1) ST* <sup>2</sup> (COM2) LT3000 (COM1)	5A	COM port conversion adapter by Pro-face CA3-ADPCOM-01 + Terminal block conversion adapter by Pro-face CA3-ADPTRM-01 + User-created cable + Conversion cable by Hitachi IES Co., Ltd. EH-RS05	Cable length: 500m or less
	5B	User-created cable + Conversion cable by Hitachi IES Co., Ltd. EH-RS05	
GP3000* <sup>3</sup> (COM2)	5C	Online adapter by Pro-face CA4-ADPONL-01 + Terminal block conversion adapter by Pro-face CA3-ADPTRM-01 + User-created cable + Conversion cable by Hitachi IES Co., Ltd. EH-RS05	Cable length: 500m or less
	5D	Online adapter by Pro-face CA4-ADPONL-01 + User-created cable + Conversion cable by Hitachi IES Co., Ltd. EH-RS05	
IPC* <sup>4</sup>	5E	COM port conversion adapter by Pro-face CA3-ADPCOM-01 + Terminal block conversion adapter by Pro-face CA3-ADPTRM-01 + User-created cable + Conversion cable by Hitachi IES Co., Ltd. EH-RS05	Cable length: 500m or less
	5F	User-created cable + Conversion cable by Hitachi IES Co., Ltd. EH-RS05	
GP-4106 (COM1)	5G	User-created cable + Conversion cable by Hitachi IES Co., Ltd. EH-RS05	Cable length: 500m or less

Display (Connection Port)	Cable		Remarks
GP-4107 (COM1) GP-4*03T* <sup>5</sup> (COM2) GP-4203T (COM1)	5H	User-created cable + Conversion cable by Hitachi IES Co., Ltd. EH-RS05	Cable length: 500m or less
GP4000* <sup>6</sup> (COM2) GP-4201T (COM1) SP5000 (COM1/2)	5I	RS-422 terminal block conversion adapter by Pro-face PFXZCBADTM1* <sup>7</sup> + User-created cable + Conversion cable by Hitachi IES Co., Ltd. EH-RS05	Cable length: 500m or less
	5B	User-created cable + Conversion cable by Hitachi IES Co., Ltd. EH-RS05	
LT-4*01TM (COM1) LT-Rear Module (COM1)	5J	RJ45 RS-485 Cable (5m) by Pro-face PFXZLMCBRJR81 + Conversion cable by Hitachi IES Co., Ltd. EH-RS05	Cable length: 200m or less

\*1 All GP3000 models except AGP-3302B

\*2 All ST models except AST-3211A and AST-3302B

\*3 All GP3000 models except GP-3200 series and AGP-3302B

\*4 Only the COM port which can communicate by RS-422/485 (2 wire) can be used.

■ IPC COM Port (page 9)

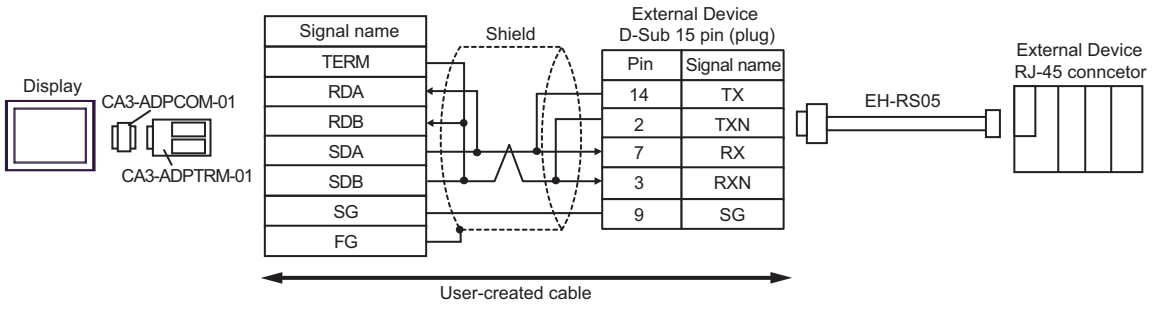
\*5 Except GP-4203T

\*6 All GP4000 models except GP-4100 series, GP-4\*01TM, GP-4201T and GP-4\*03T

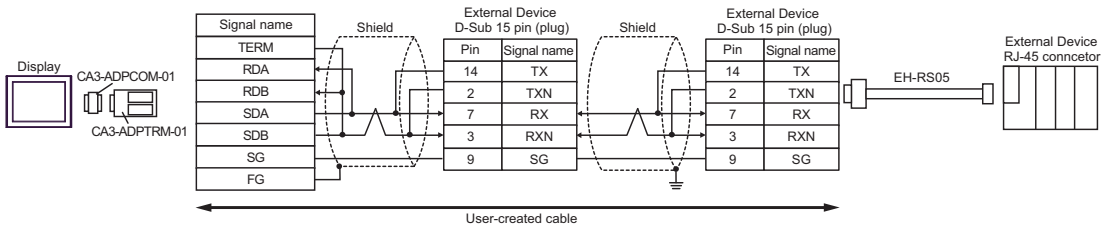
\*7 When using a Terminal Block Conversion Adapter (CA3-ADPTRM-01) instead of the RS-422 Terminal Block Conversion Adapter, refer to Cable Diagram 5A.

5A)

- 1:1 Connection



- 1:n Connection

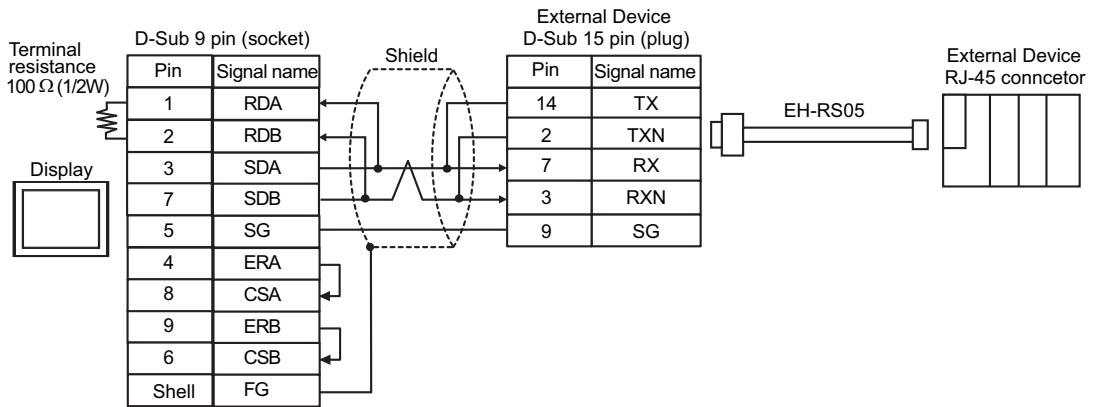


**NOTE**

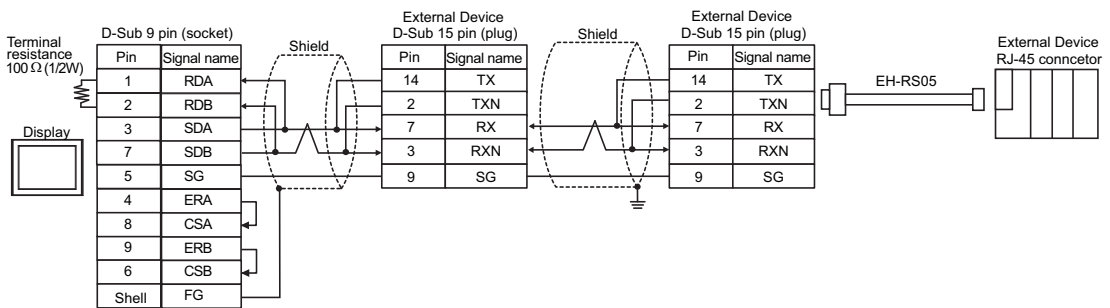
- Cable length: 500m or less

5B)

- 1:1 Connection



- 1:n Connection

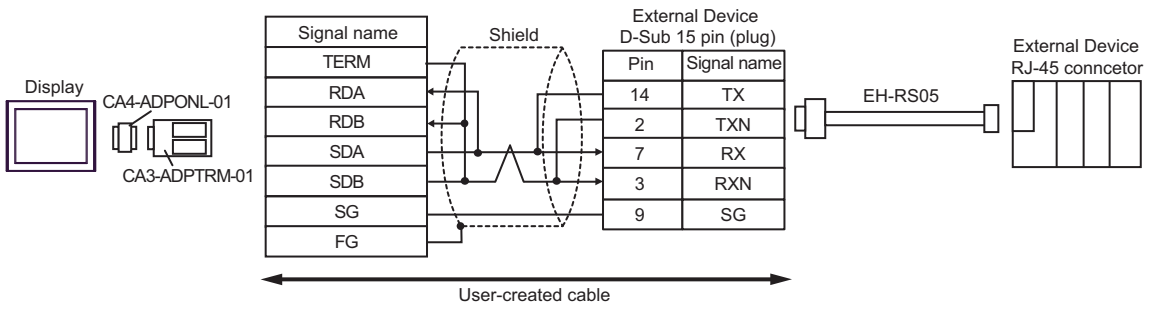


**NOTE**

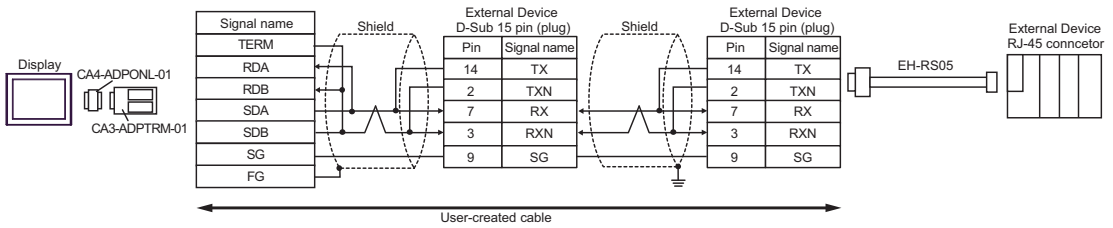
- Cable length: 500m or less

5C)

- 1:1 Connection



- 1:n Connection

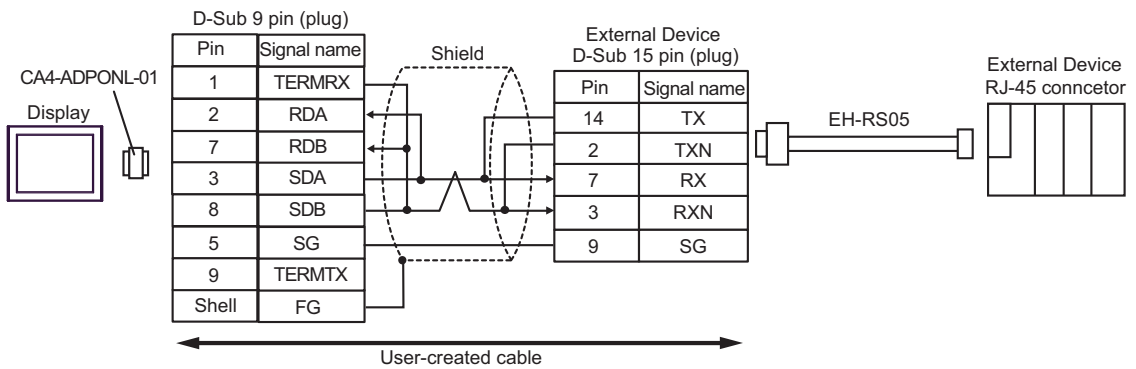


**NOTE**

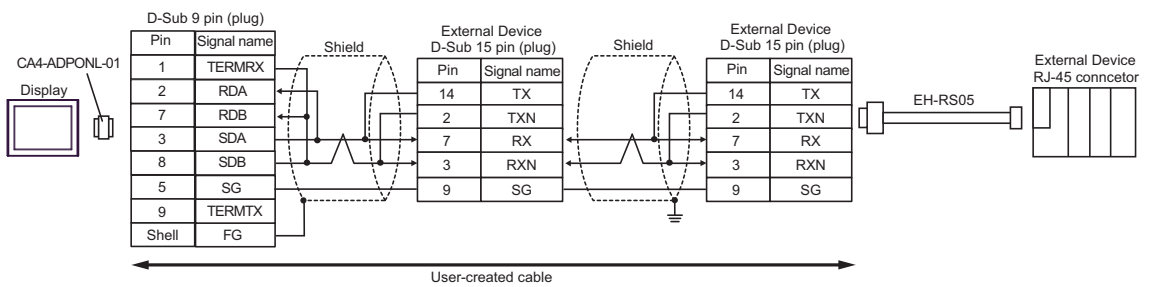
- Cable length: 500m or less

5D)

- 1:1 Connection



- 1:n Connection



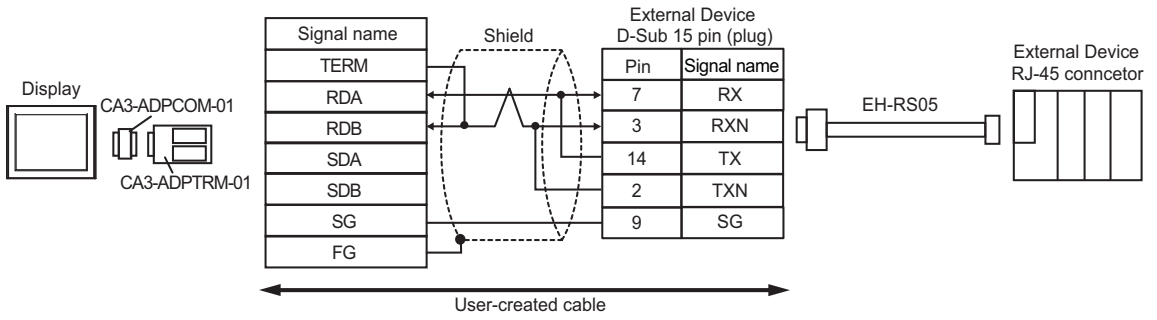
**NOTE**

- Cable length: 500m or less

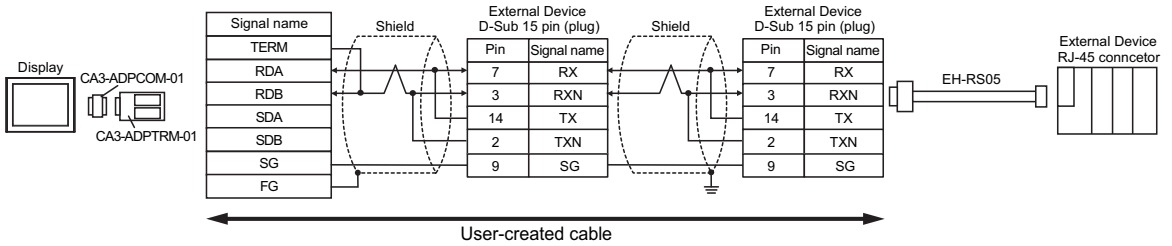


5E)

- 1:1 Connection



- 1:n Connection

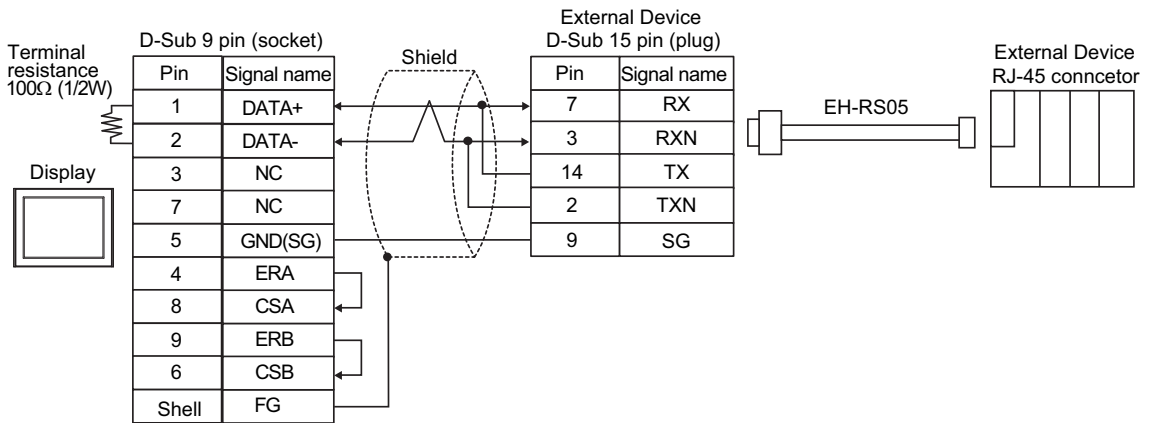


**NOTE**

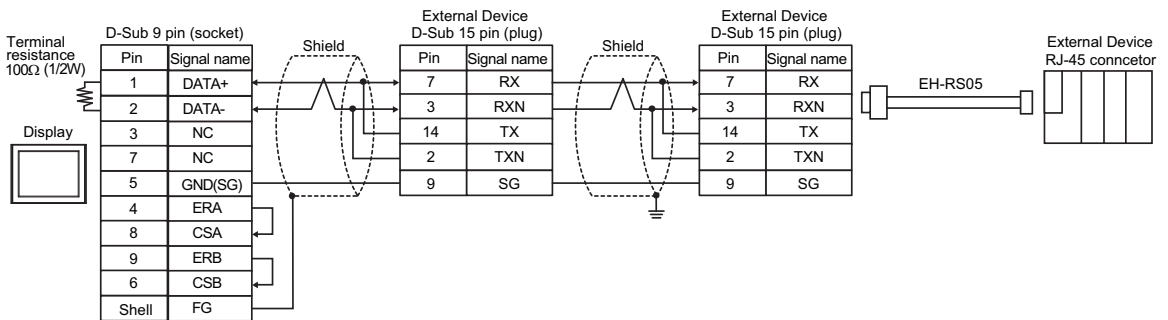
- Cable length: 500m or less

5F)

- 1:1 Connection



- 1:n Connection

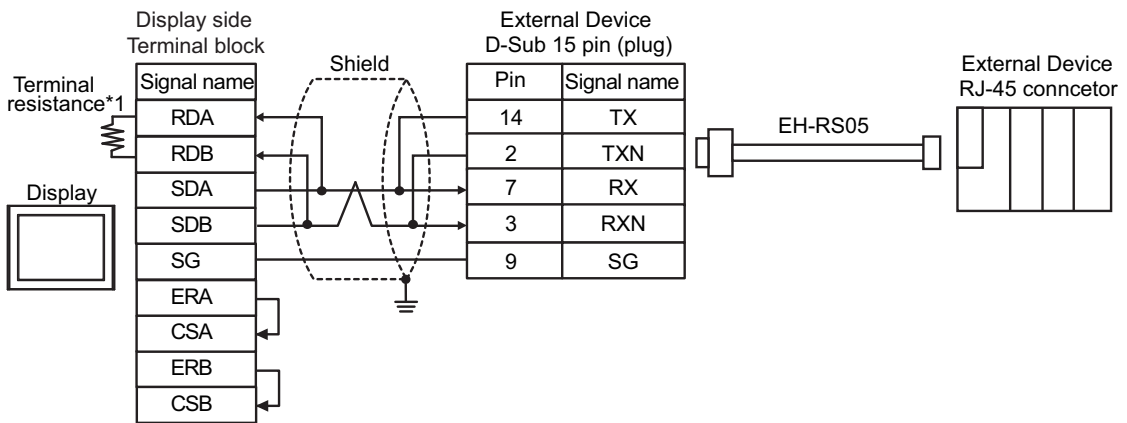


**NOTE**

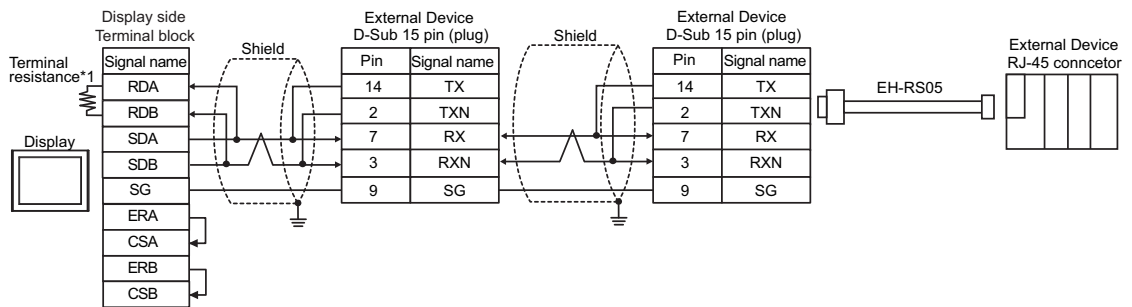
- Cable length: 500m or less

5G)

- 1:1 Connection



- 1:n Connection



**NOTE**

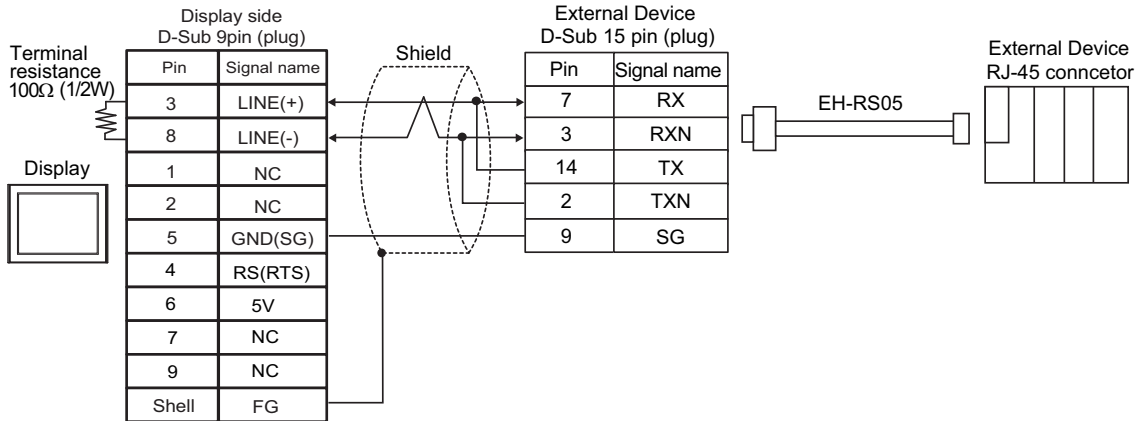
- Cable length: 500m or less

\*1 The resistance in the Display is used as the termination resistance. Set the value of the DIP Switch on the rear of the Display as shown in the table below.

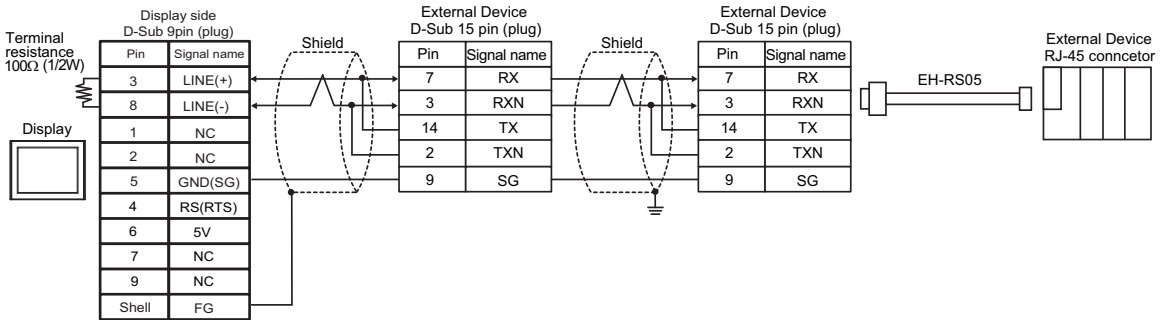
DIP Switch No.	Set Value
1	OFF
2	OFF
3	ON
4	ON

5H)

- 1:1 Connection



- 1:n Connection



**IMPORTANT**

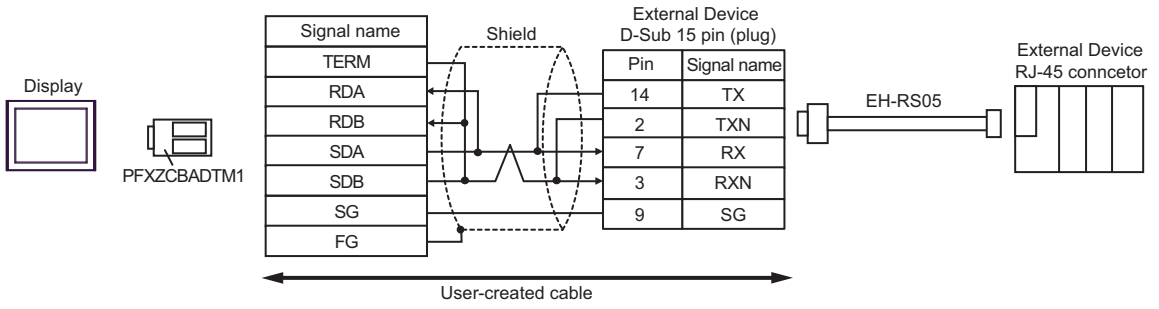
- The 5V output (Pin #6) on the Display is the power for the Siemens AG's PROFIBUS connector. Do not use it for other devices.

**NOTE**

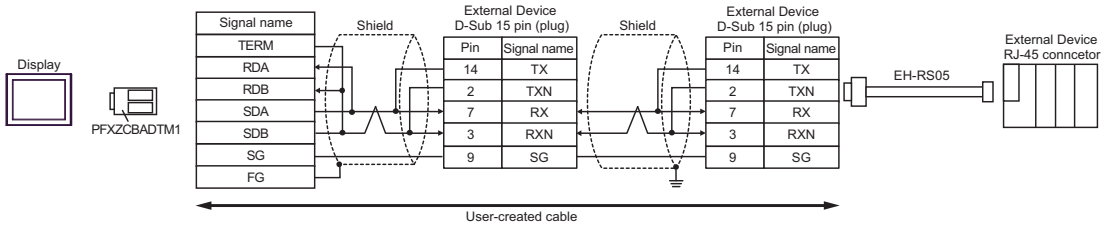
- In COM on the GP-4107, the SG and FG terminals are isolated.
- Cable length: 500m or less

5)

- 1:1 Connection



- 1:n Connection

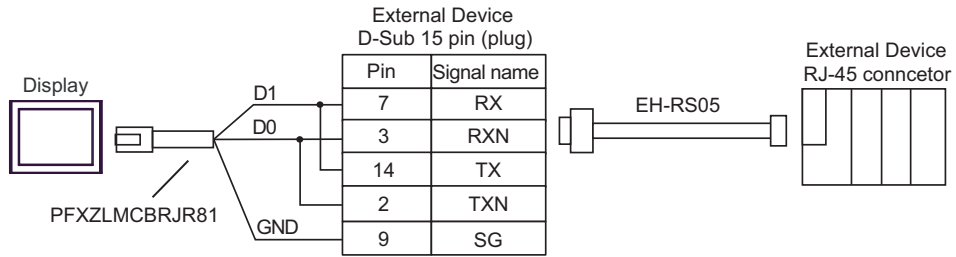


**NOTE**

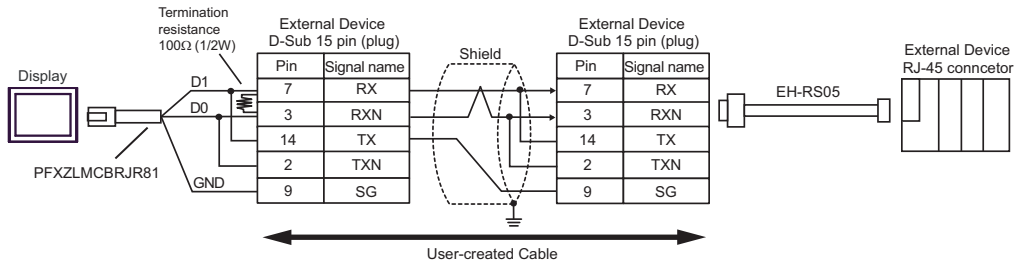
- Cable length: 500m or less

5J)

- 1:1 Connection



- 1:n Connection



## 5.6 Cable Diagram 6

Display (Connection Port)	Cable		Remarks
GP3000 <sup>*1</sup> (COM1) AGP-3302B (COM2) GP-4*01TM (COM1) ST <sup>*2</sup> (COM2) LT3000 (COM1) IPC <sup>*3</sup>	6A	COM port conversion adapter by Pro-face CA3-ADPCOM-01 + Terminal block conversion adapter by Pro-face CA3-ADPTRM-01 + User-created cable	Cable length: 500m or less
	6B	User-created cable	
GP3000 <sup>*4</sup> (COM2)	6C	Online adapter by Pro-face CA4-ADPONL-01 + Terminal block conversion adapter by Pro-face CA3-ADPTRM-01 + User-created cable	Cable length: 500m or less
	6D	Online adapter by Pro-face CA4-ADPONL-01 + User-created cable	
GP-4106 (COM1)	6E	User-created cable	Cable length: 500m or less
GP4000 <sup>*5</sup> (COM2) GP-4201T (COM1) SP5000 (COM1/2)	6F	RS-422 terminal block conversion adapter by Pro-face PFZCBADTM1 <sup>*6</sup> + User-created cable	Cable length: 500m or less
	6B	User-created cable	

\*1 All GP3000 models except AGP-3302B

\*2 All ST models except AST-3211A and AST-3302B

\*3 Only the COM port which can communicate by RS-422/485 (4 wire) can be used.  
 ■ IPC COM Port (page 9)

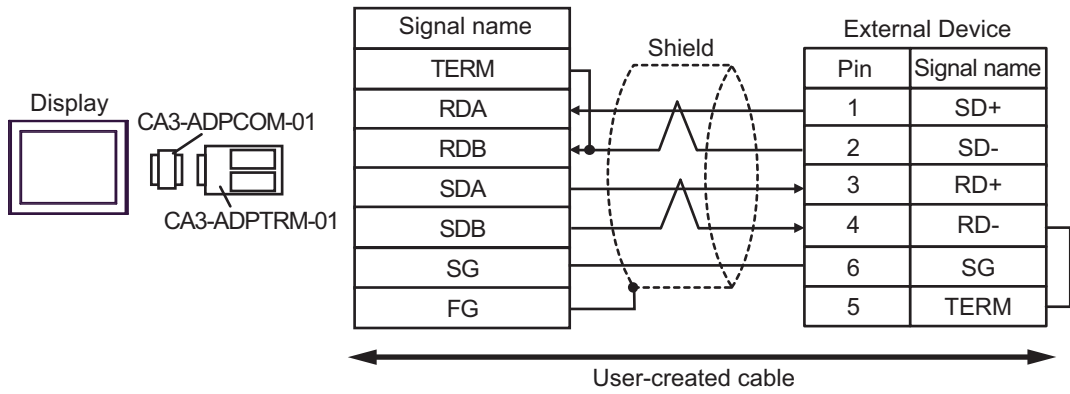
\*4 All GP3000 models except GP-3200 series and AGP-3302B

\*5 All GP4000 models except GP-4100 series, GP-4\*01TM, GP-4201T and GP-4\*03T

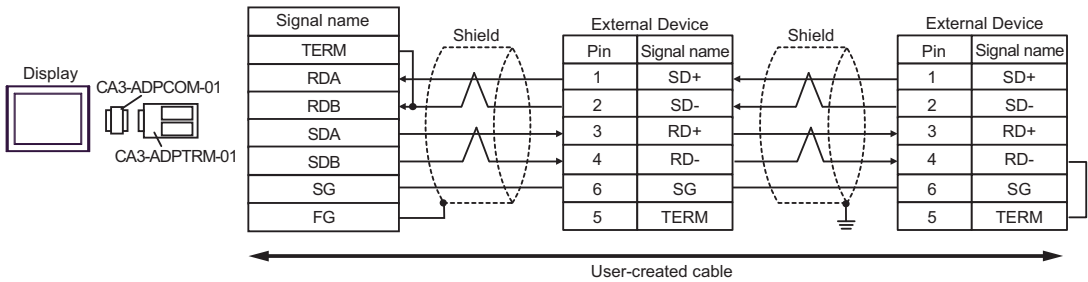
\*6 When using a Terminal Block Conversion Adapter (CA3-ADPTRM-01) instead of the RS-422 Terminal Block Conversion Adapter, refer to Cable Diagram 6A.

6A)

- 1:1 Connection



- 1:n Connection



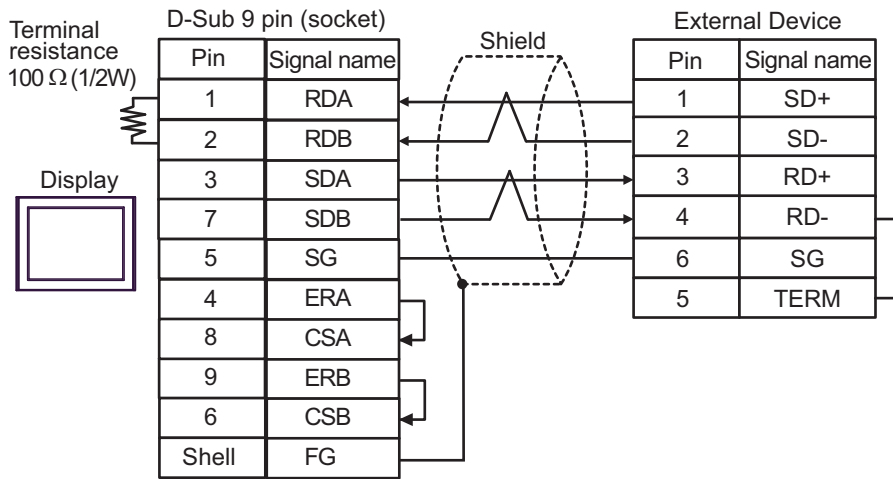
**NOTE**

- Cable length: 500m or less

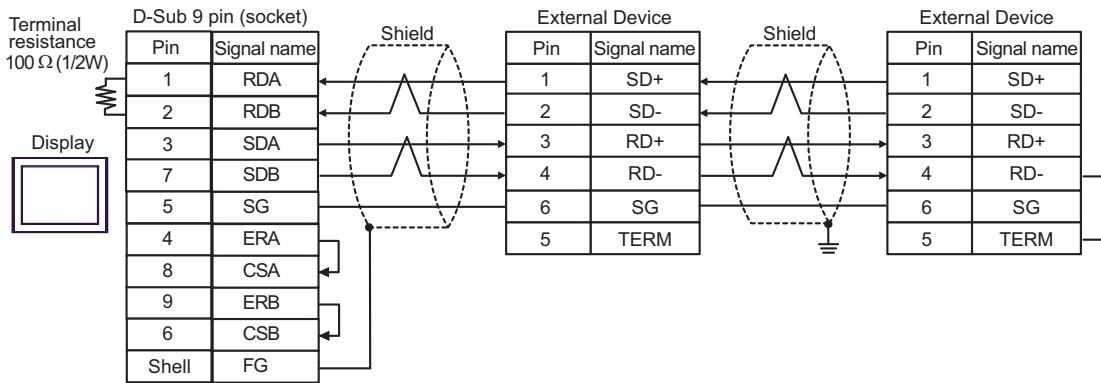


6B)

- 1:1 Connection



- 1:n Connection

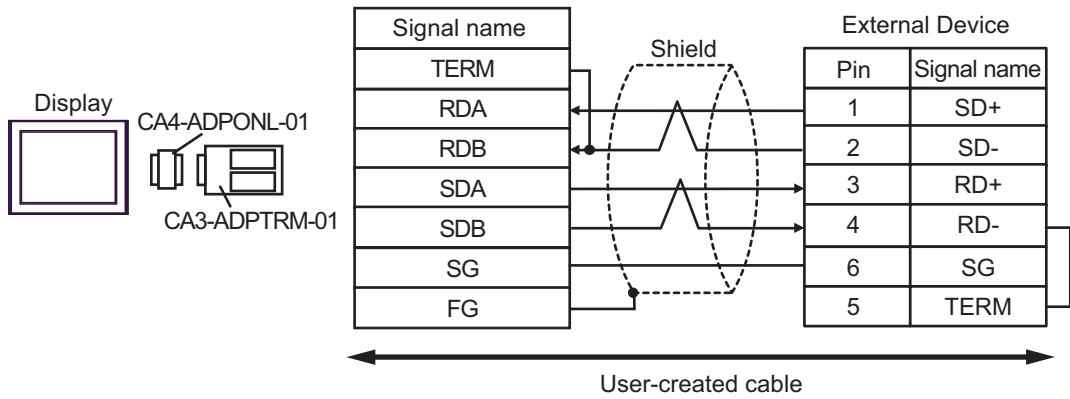


**NOTE**

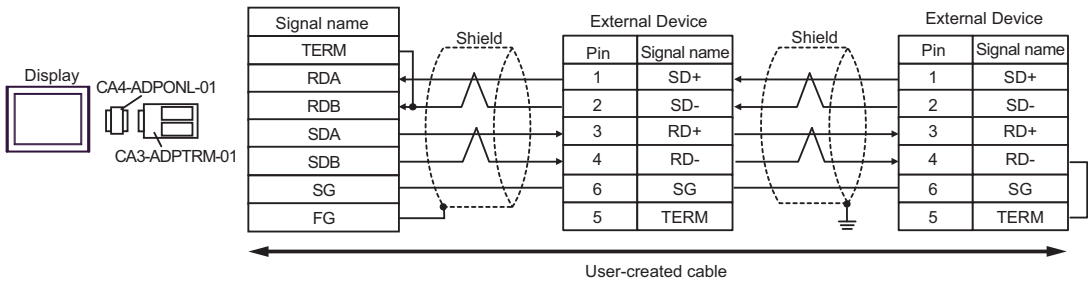
- Cable length: 500m or less

6C)

- 1:1 Connection



- 1:n Connection

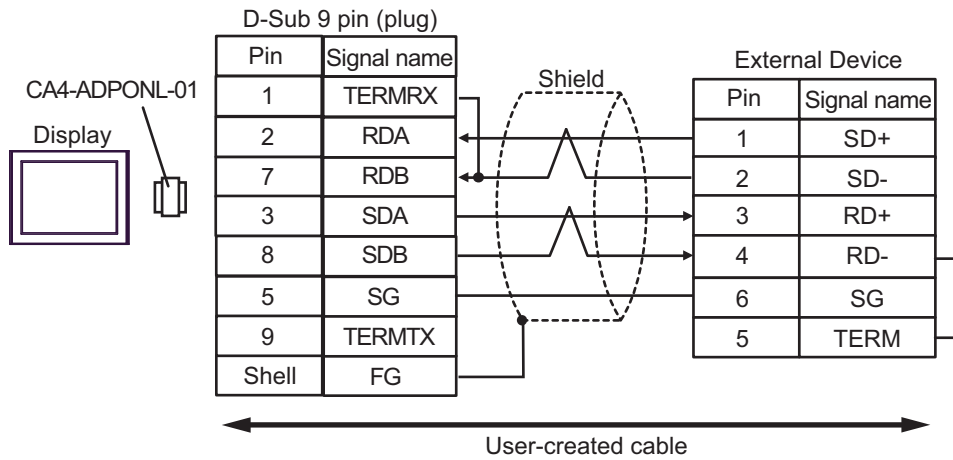


**NOTE**

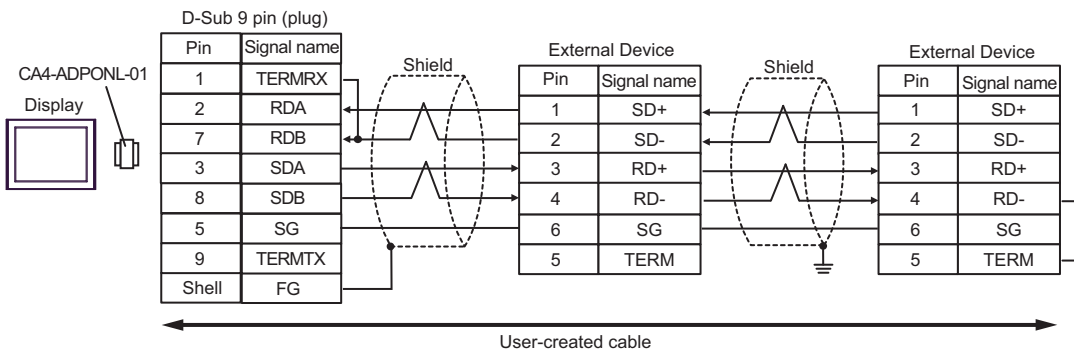
- Cable length: 500m or less

6D)

- 1:1 Connection



- 1:n Connection

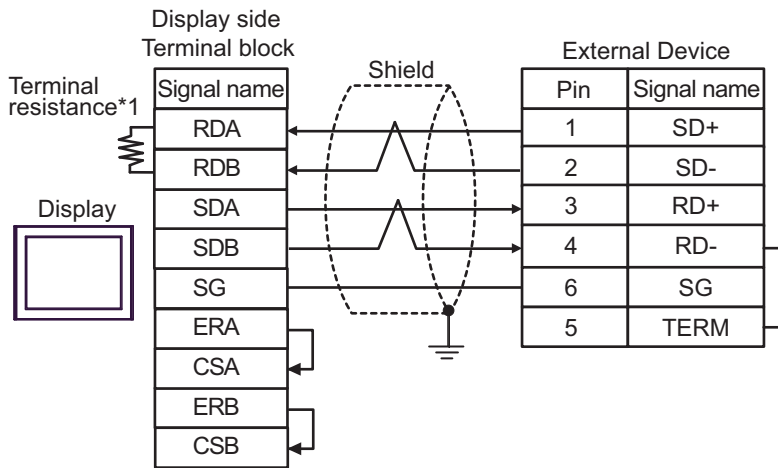


**NOTE**

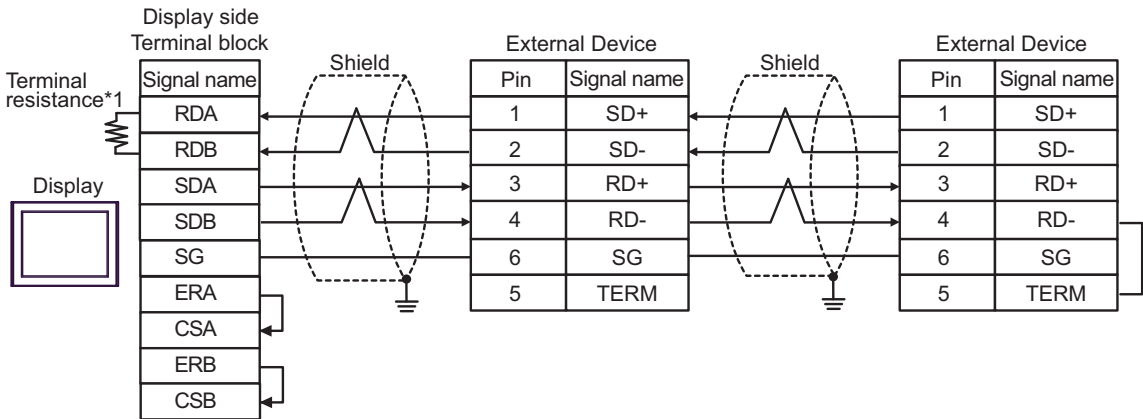
- Cable length: 500m or less

6E)

- 1:1 Connection



- 1:n Connection



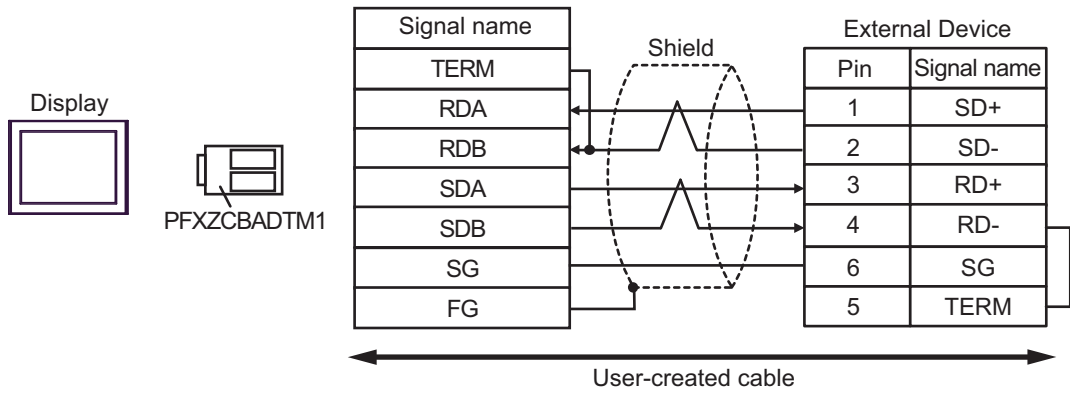
**NOTE** • Cable length: 500m or less

\*1 The resistance in the Display is used as the termination resistance. Set the value of the DIP Switch on the rear of the Display as shown in the table below.

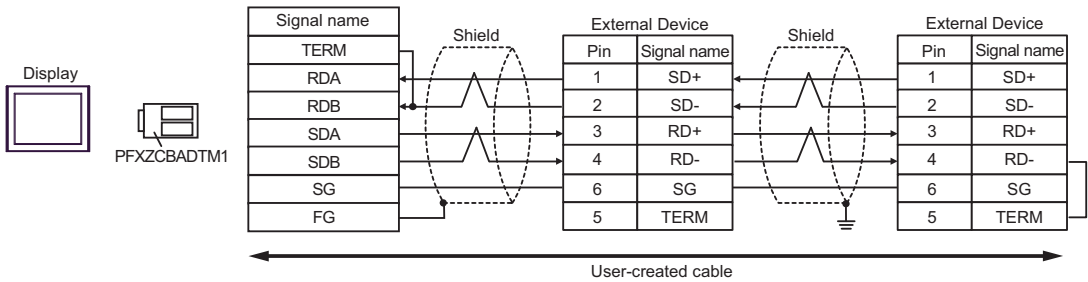
DIP Switch No.	Set Value
1	OFF
2	OFF
3	ON
4	ON

6F)

- 1:1 Connection



- 1:n Connection



**NOTE**

- Cable length: 500m or less

## 5.7 Cable Diagram 7

Display (Connection Port)	Cable		Remarks
GP3000* <sup>1</sup> (COM1) AGP-3302B (COM2) GP-4*01TM (COM1) ST* <sup>2</sup> (COM2) LT3000 (COM1)	7A	COM port conversion adapter by Pro-face CA3-ADPCOM-01 + Terminal block conversion adapter by Pro-face CA3-ADPTRM-01 + User-created cable	Cable length: 500m or less
	7B	User-created cable	
GP3000* <sup>3</sup> (COM2)	7C	Online adapter by Pro-face CA4-ADPONL-01 + Terminal block conversion adapter by Pro-face CA3-ADPTRM-01 + User-created cable	Cable length: 500m or less
	7D	Online adapter by Pro-face CA4-ADPONL-01 + User-created cable	
IPC* <sup>4</sup>	7E	COM port conversion adapter by Pro-face CA3-ADPCOM-01 + Terminal block conversion adapter by Pro-face CA3-ADPTRM-01 + User-created cable	Cable length: 500m or less
	7F	User-created cable	
GP-4106 (COM1)	7G	User-created cable	Cable length: 500m or less
GP-4107 (COM1) GP-4*03T* <sup>5</sup> (COM2) GP-4203T (COM1)	7H	User-created cable	Cable length: 500m or less
GP4000* <sup>6</sup> (COM2) GP-4201T (COM1) SP5000 (COM1/2)	7I	RS-422 terminal block conversion adapter by Pro-face PFXZCBADTM1* <sup>7</sup> + User-created cable	Cable length: 500m or less
	7B	User-created cable	
LT-4*01TM (COM1) LT-Rear Module (COM1)	7J	RJ45 RS-485 Cable (5m) by Pro-face PFXZLMCBRJR81	Cable length: 200m or less

\*1 All GP3000 models except AGP-3302B

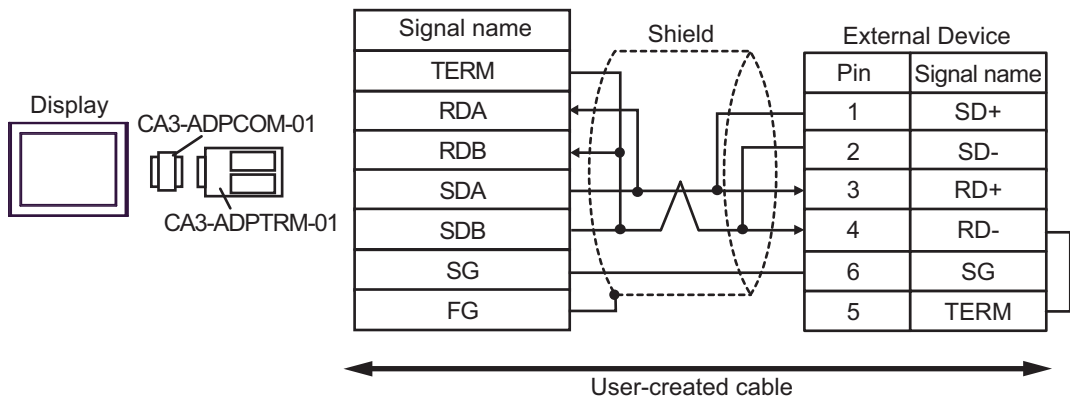
\*2 All ST models except AST-3211A and AST-3302B

\*3 All GP3000 models except GP-3200 series and AGP-3302B

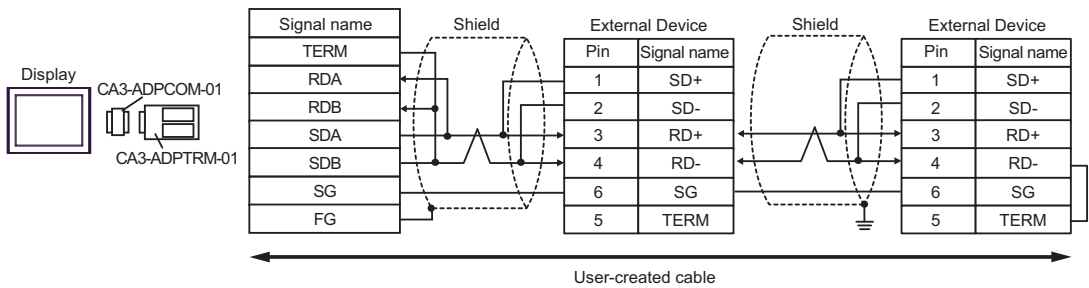
- \*4 Only the COM port which can communicate by RS-422/485 (2 wire) can be used.
  - IPC COM Port (page 9)
- \*5 Except GP-4203T
- \*6 All GP4000 models except GP-4100 series, GP-4\*01TM, GP-4201T and GP-4\*03T
- \*7 When using a Terminal Block Conversion Adapter (CA3-ADPTRM-01) instead of the RS-422 Terminal Block Conversion Adapter, refer to Cable Diagram 7A.

7A)

- 1:1 Connection



- 1:n Connection



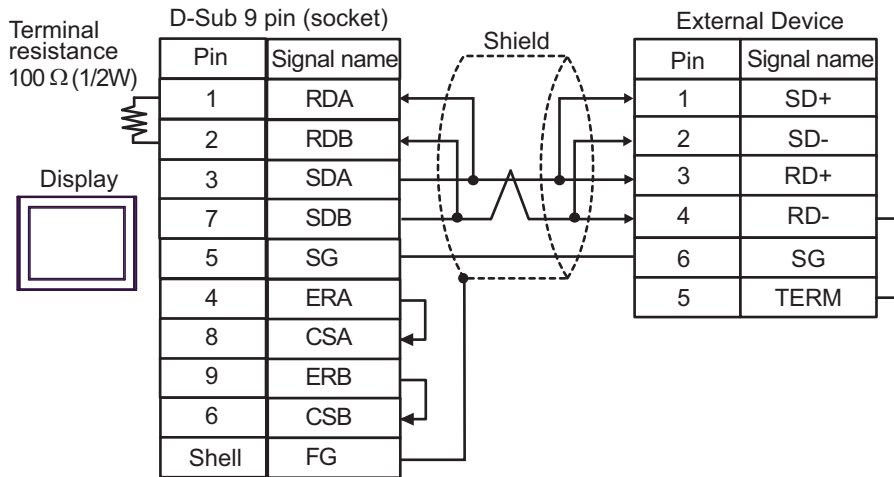
**NOTE**

- Cable length: 500m or less

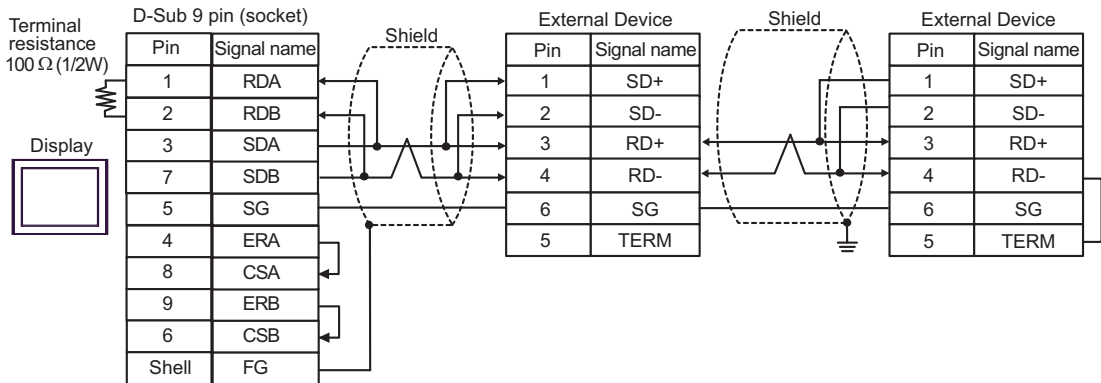


7B)

- 1:1 Connection



- 1:n Connection

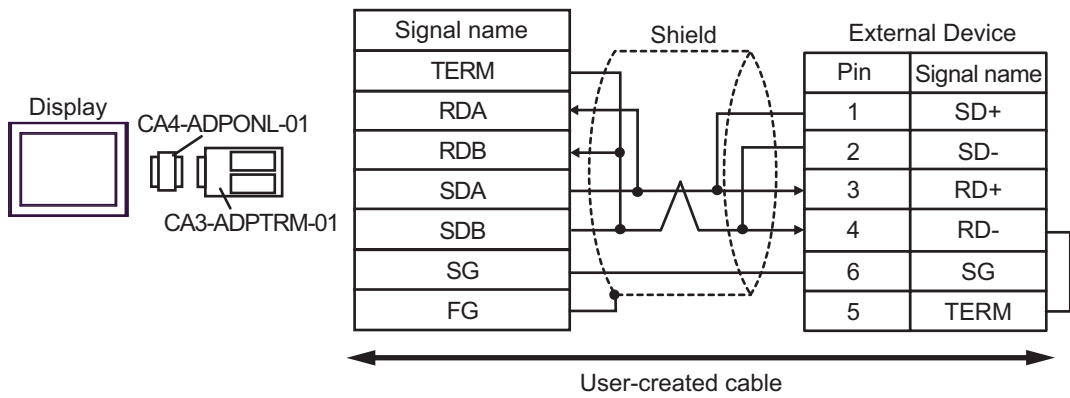


**NOTE**

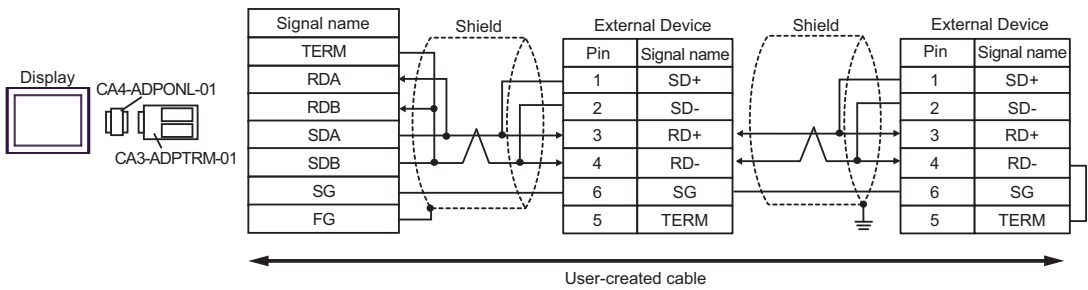
- Cable length: 500m or less

7C)

- 1:1 Connection



- 1:n Connection

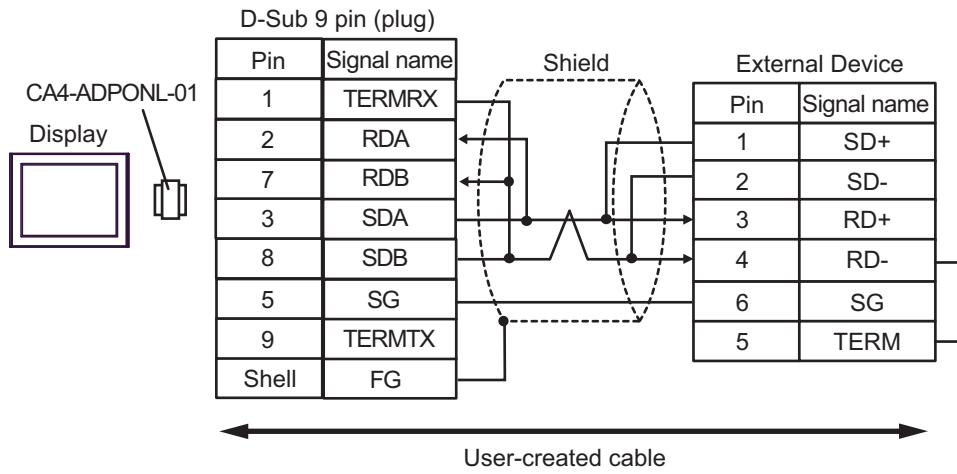


**NOTE**

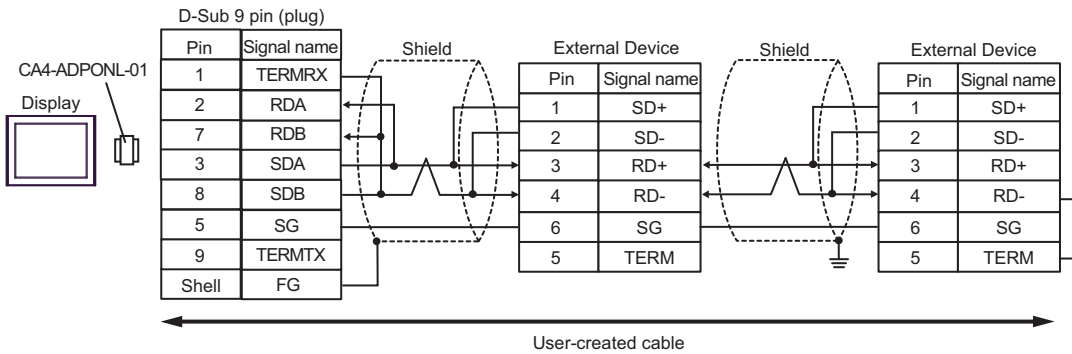
- Cable length: 500m or less

7D)

- 1:1 Connection



- 1:n Connection

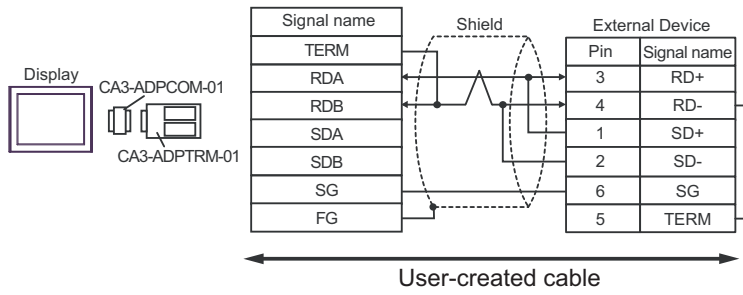


**NOTE**

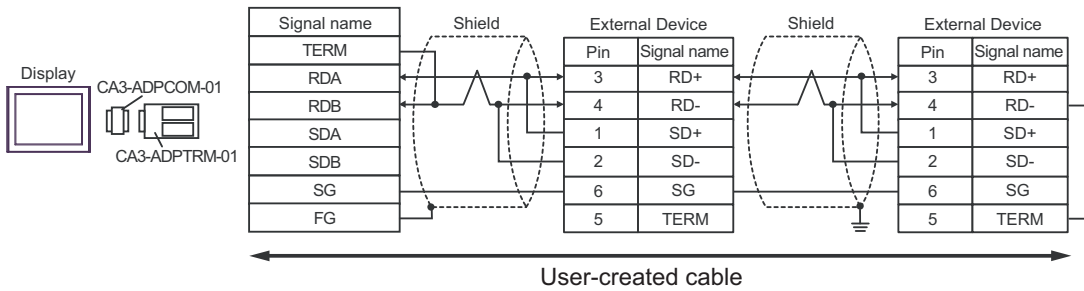
- Cable length: 500m or less

7E)

- 1:1 Connection



- 1:n Connection

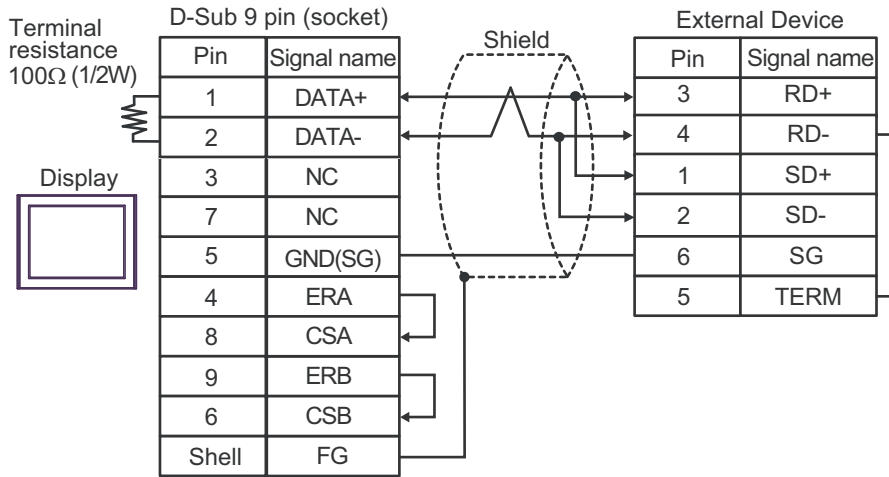


**NOTE**

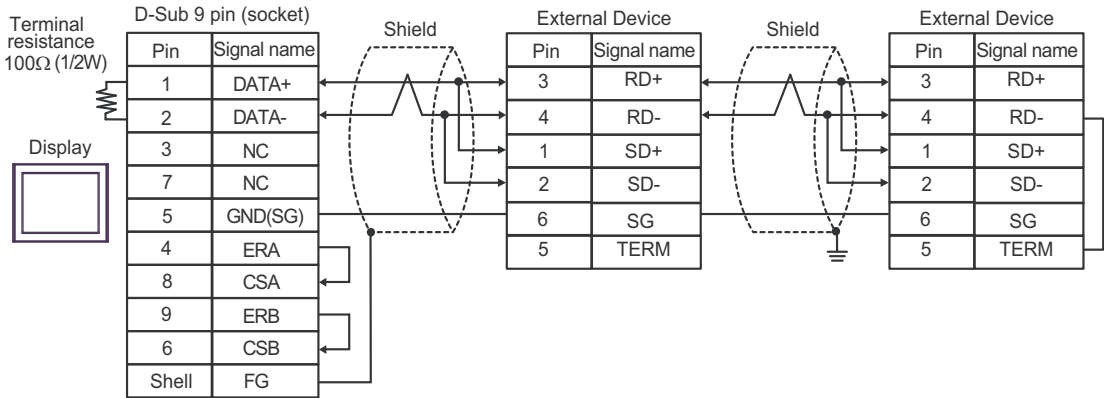
- Cable length: 500m or less

7F)

- 1:1 Connection



- 1:n Connection

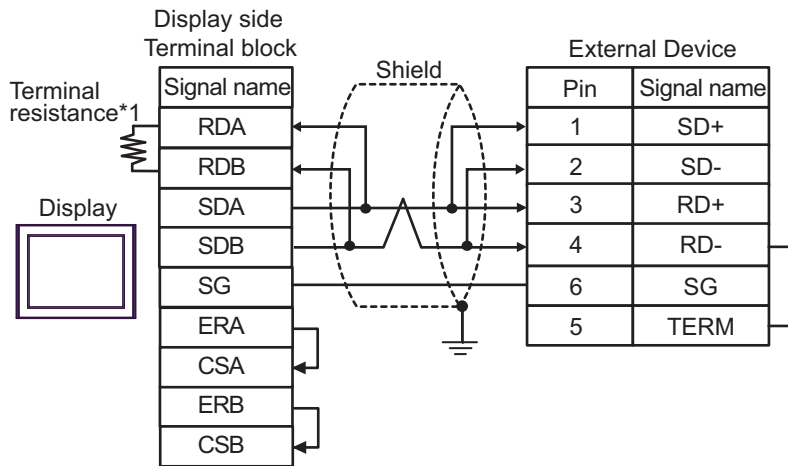


**NOTE**

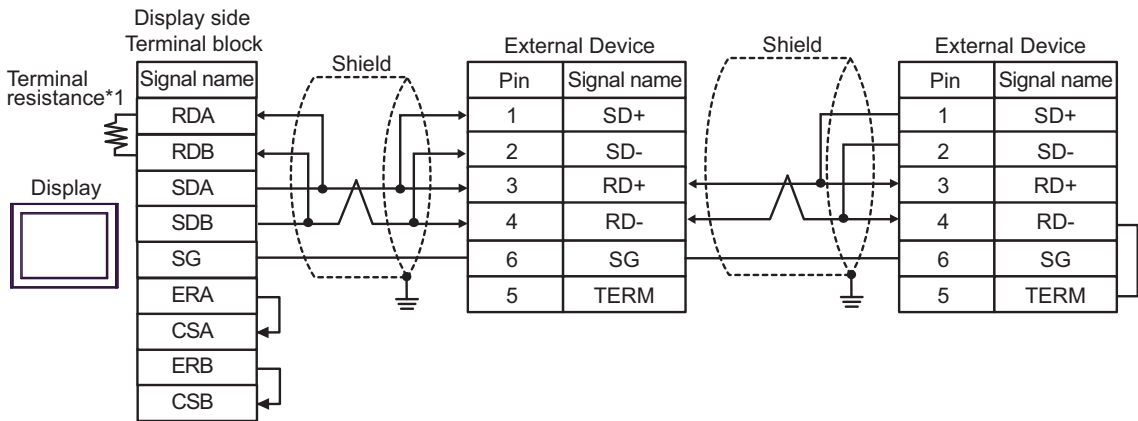
- Cable length: 500m or less

7G)

- 1:1 Connection



- 1:n Connection



**NOTE**

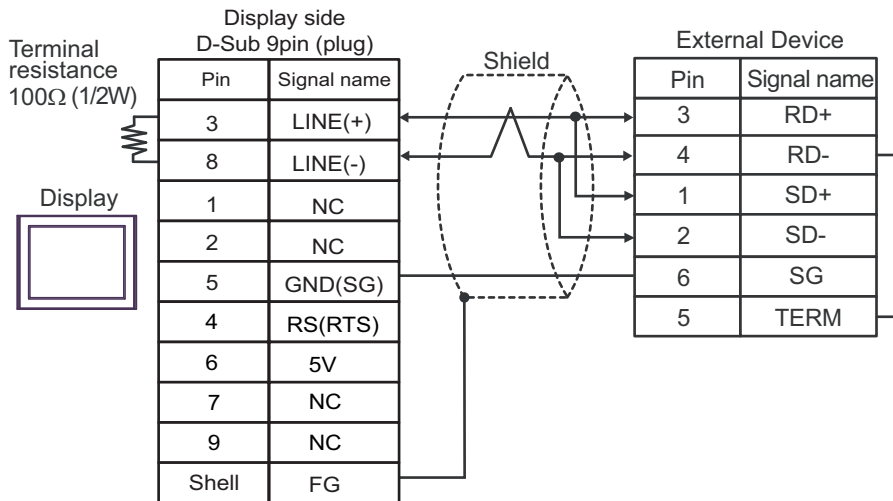
- Cable length: 500m or less

\*1 The resistance in the Display is used as the termination resistance. Set the value of the DIP Switch on the rear of the Display as shown in the table below.

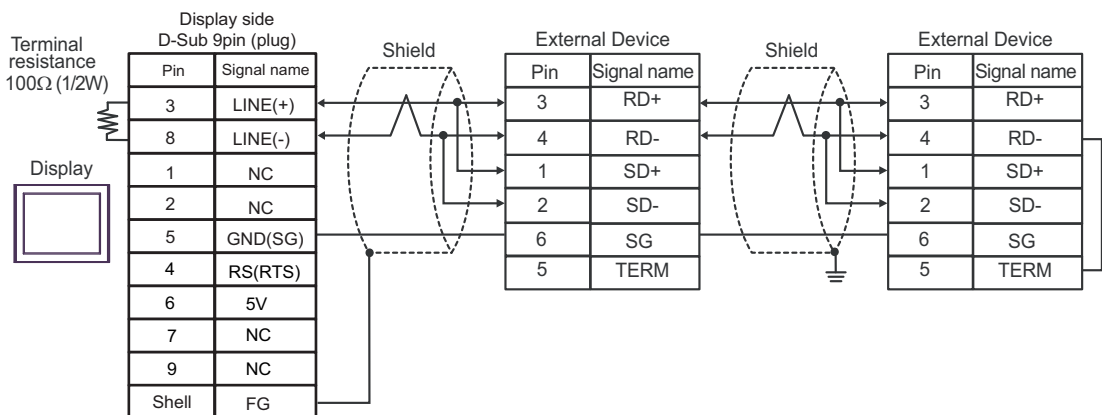
DIP Switch No.	Set Value
1	OFF
2	OFF
3	ON
4	ON

7H)

- 1:1 Connection



- 1:n Connection



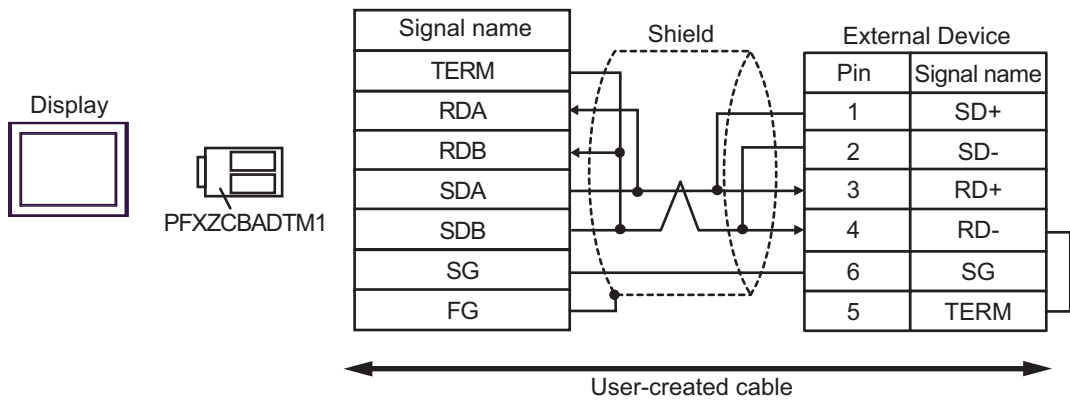
**IMPORTANT** • The 5V output (Pin #6) on the Display is the power for the Siemens AG's PROFIBUS connector. Do not use it for other devices.

**NOTE**

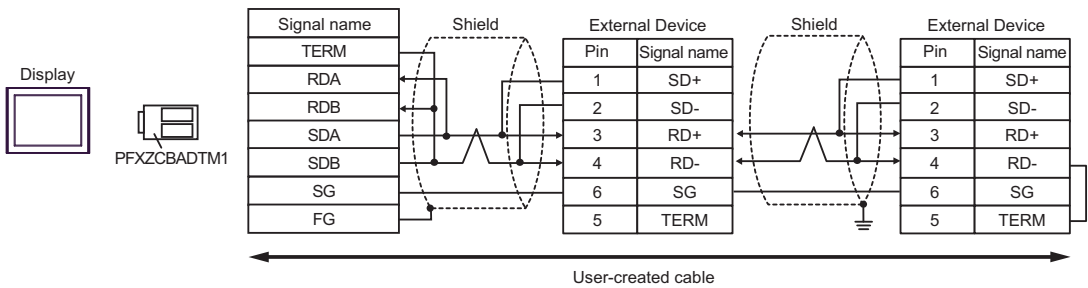
- In COM on the GP-4107, the SG and FG terminals are isolated.
- Cable length: 500m or less

71)

- 1:1 Connection



- 1:n Connection



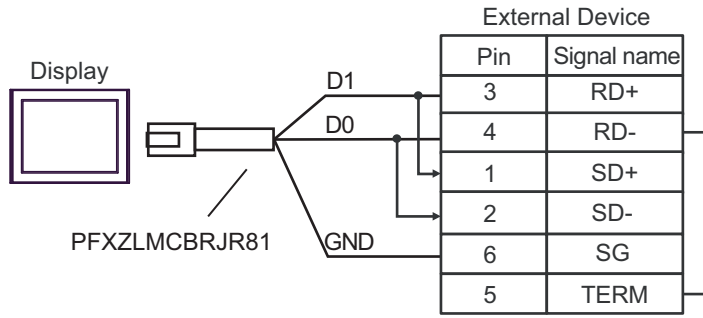
**NOTE**

- Cable length: 500m or less

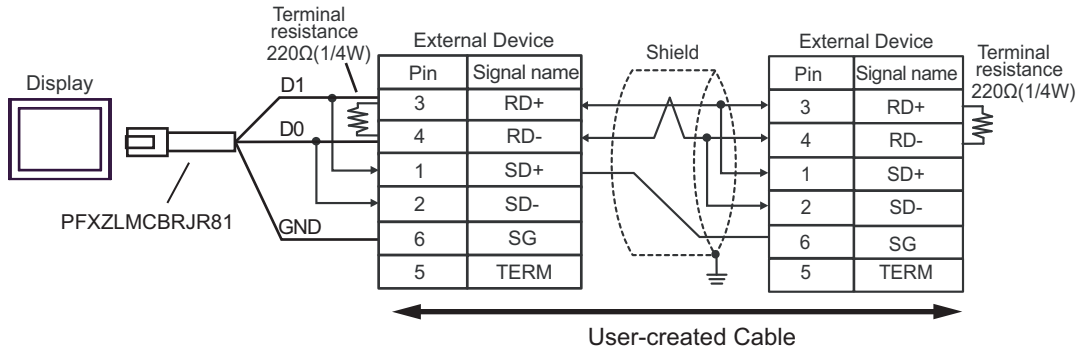


7J)

- 1:1 Connection



- 1:n Connection



## 5.8 Cable Diagram 8

Display (Connection Port)	Cable		Remarks
GP3000* <sup>1</sup> (COM1) AGP-3302B (COM2) GP-4*01TM (COM1) ST* <sup>2</sup> (COM2) LT3000 (COM1) IPC* <sup>3</sup>	8A	COM port conversion adapter by Pro-face CA3-ADPCOM-01 + Terminal block conversion adapter by Pro-face CA3-ADPTRM-01 + User-created cable	Cable length: 250m or less
	8B	User-created cable	
GP3000* <sup>4</sup> (COM2)	8C	Online adapter by Pro-face CA4-ADPONL-01 + Terminal block conversion adapter by Pro-face CA3-ADPTRM-01 + User-created cable	Cable length: 250m or less
	8D	Online adapter by Pro-face CA4-ADPONL-01 + User-created cable	
GP-4106 (COM1)	8E	User-created cable	Cable length: 250m or less
GP4000* <sup>5</sup> (COM2) GP-4201T (COM1) SP5000 (COM1/2)	8F	RS-422 terminal block conversion adapter by Pro-face PFXZCBADTM1* <sup>6</sup> + User-created cable	Cable length: 250m or less
	8B	User-created cable	

\*1 All GP3000 models except AGP-3302B

\*2 All ST models except AST-3211A and AST-3302B

\*3 Only the COM port which can communicate by RS-422/485 (4 wire) can be used.  
 ■ IPC COM Port (page 9)

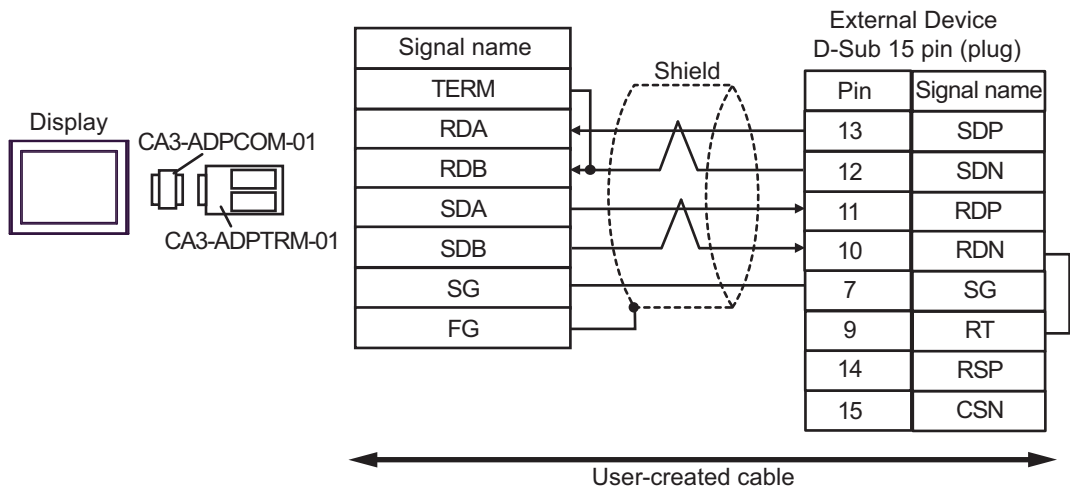
\*4 All GP3000 models except GP-3200 series and AGP-3302B

\*5 All GP4000 models except GP-4100 series, GP-4\*01TM, GP-4201T and GP-4\*03T

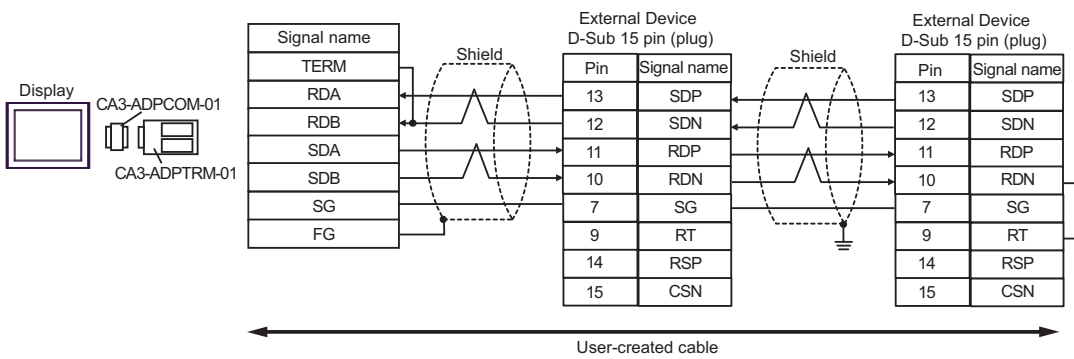
\*6 When using a Terminal Block Conversion Adapter (CA3-ADPTRM-01) instead of the RS-422 Terminal Block Conversion Adapter, refer to Cable Diagram 8A.

8A)

- 1:1 Connection



- 1:n Connection

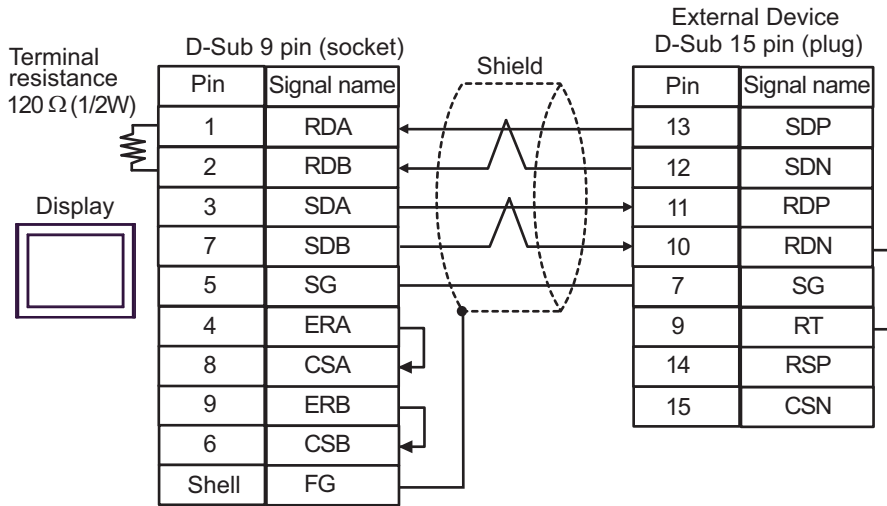


**NOTE**

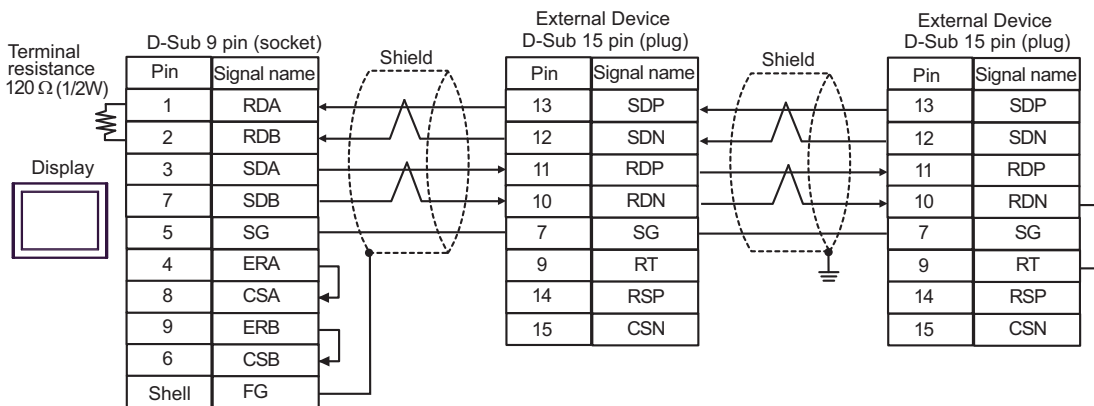
- Cable length: 250m or less

8B)

- 1:1 Connection



- 1:n Connection

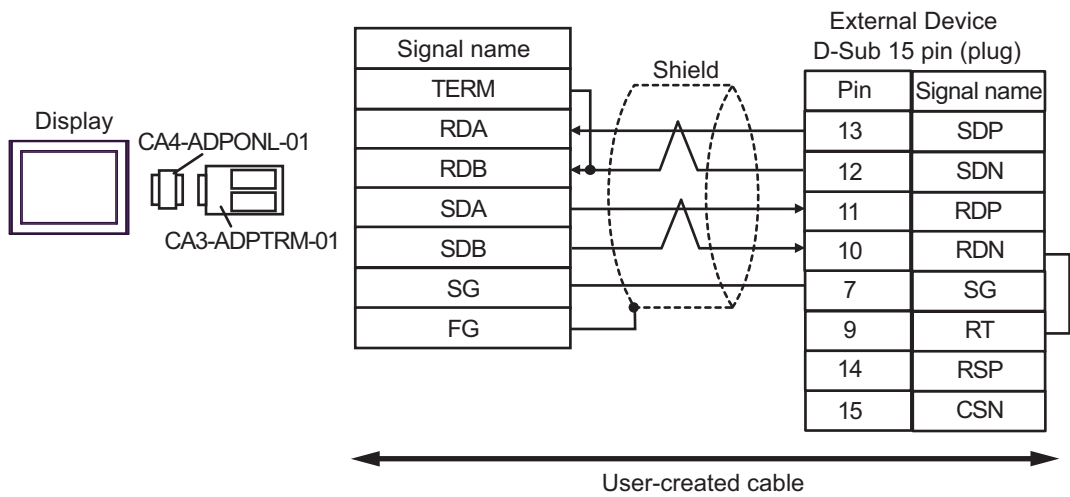


**NOTE**

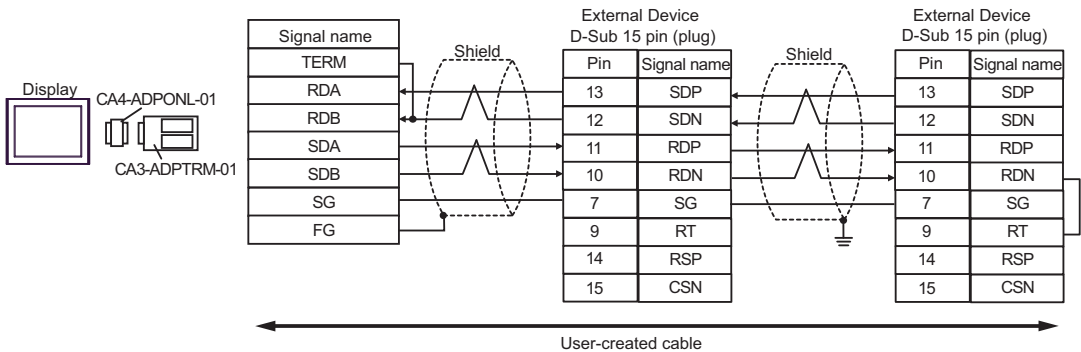
- Cable length: 250m or less

8C)

- 1:1 Connection



- 1:n Connection

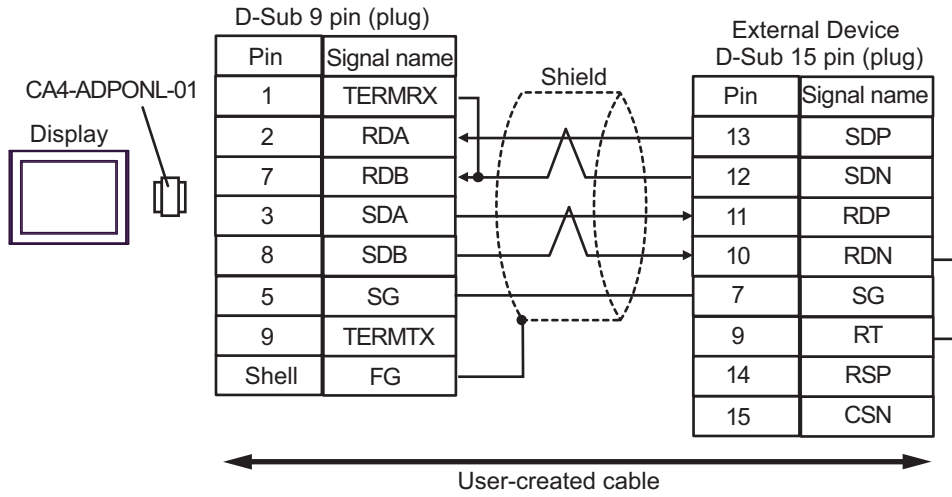


**NOTE**

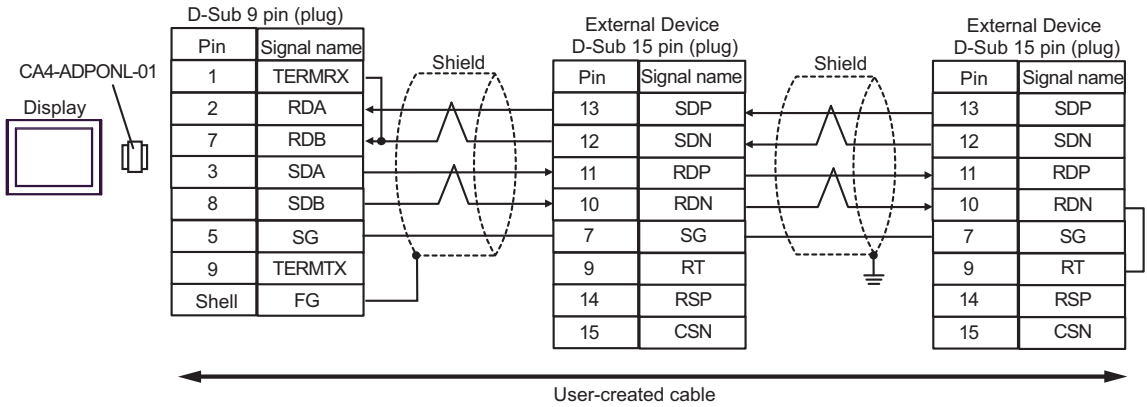
- Cable length: 250m or less

8D)

- 1:1 Connection



- 1:n Connection

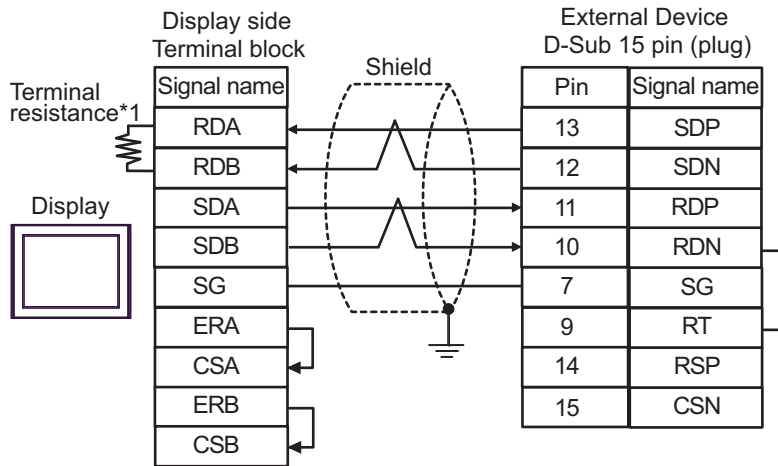


**NOTE**

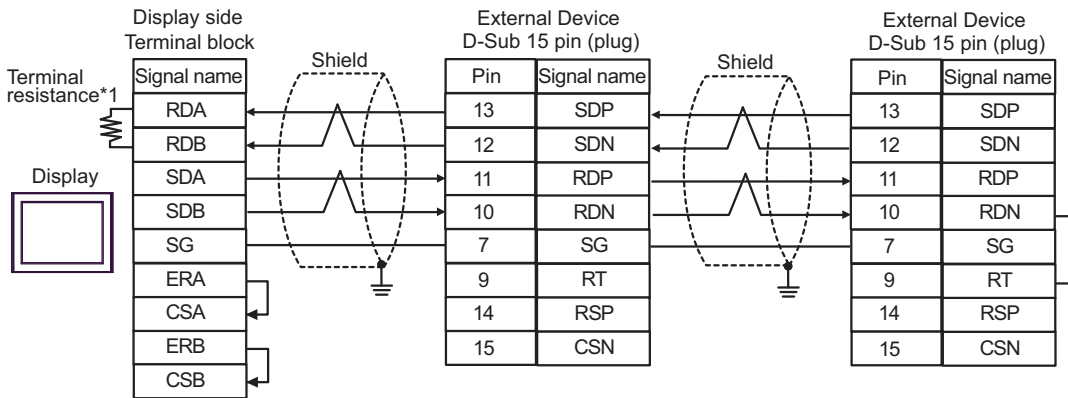
- Cable length: 250m or less

8E)

- 1:1 Connection



- 1:n Connection



**NOTE**

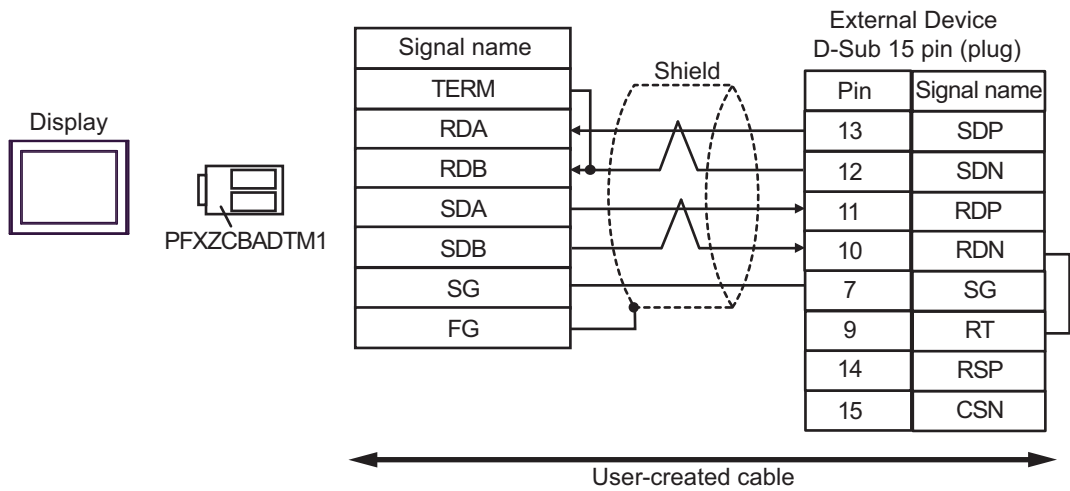
- Cable length: 250m or less

\*1 The resistance in the Display is used as the termination resistance. Set the value of the DIP Switch on the rear of the Display as shown in the table below.

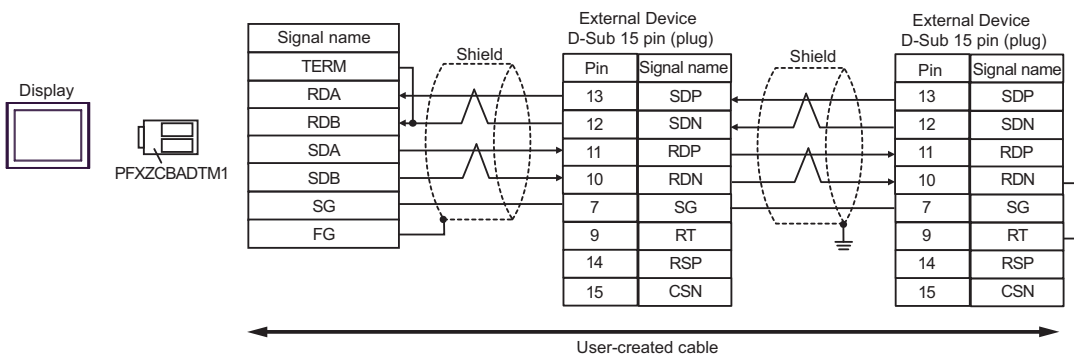
DIP Switch No.	Set Value
1	OFF
2	OFF
3	ON
4	ON

8F)

- 1:1 Connection



- 1:n Connection



**NOTE**

- Cable length: 250m or less



## 5.9 Cable Diagram 9

Display (Connection Port)	Cable		Remarks
GP3000* <sup>1</sup> (COM1) AGP-3302B (COM2) GP-4*01TM (COM1) ST* <sup>2</sup> (COM2) LT3000 (COM1)	9A	COM port conversion adapter by Pro-face CA3-ADPCOM-01 + Terminal block conversion adapter by Pro-face CA3-ADPTRM-01 + User-created cable	Cable length: 250m or less
	9B	User-created cable	
GP3000* <sup>3</sup> (COM2)	9C	Online adapter by Pro-face CA4-ADPONL-01 + Terminal block conversion adapter by Pro-face CA3-ADPTRM-01 + User-created cable	Cable length: 250m or less
	9D	Online adapter by Pro-face CA4-ADPONL-01 + User-created cable	
IPC* <sup>4</sup>	9E	COM port conversion adapter by Pro-face CA3-ADPCOM-01 + Terminal block conversion adapter by Pro-face CA3-ADPTRM-01 + User-created cable	Cable length: 250m or less
	9F	User-created cable	
GP-4106 (COM1)	9G	User-created cable	Cable length: 250m or less
GP-4107 (COM1) GP-4*03T* <sup>5</sup> (COM2) GP-4203T (COM1)	9H	User-created cable	Cable length: 250m or less
GP4000* <sup>6</sup> (COM2) GP-4201T (COM1) SP5000 (COM1/2)	9I	RS-422 terminal block conversion adapter by Pro-face PFXZCBADTM1* <sup>7</sup> + User-created cable	Cable length: 250m or less
	9B	User-created cable	
LT-4*01TM (COM1) LT-Rear Module (COM1)	9J	RJ45 RS-485 Cable (5m) by Pro-face PFXZLMCBRJR81	Cable length: 200m or less

\*1 All GP3000 models except AGP-3302B

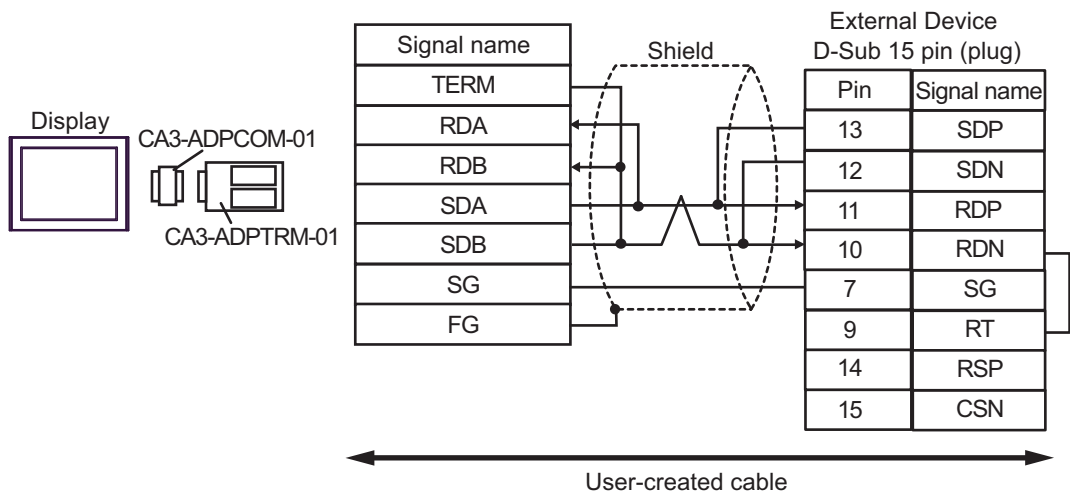
\*2 All ST models except AST-3211A and AST-3302B

\*3 All GP3000 models except GP-3200 series and AGP-3302B

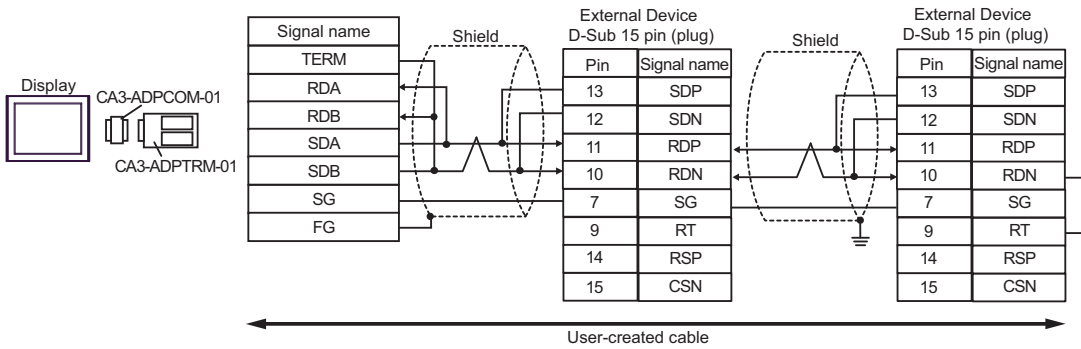
- \*4 Only the COM port which can communicate by RS-422/485 (2 wire) can be used.
  - IPC COM Port (page 9)
- \*5 Except GP-4203T
- \*6 All GP4000 models except GP-4100 series, GP-4\*01TM, GP-4201T and GP-4\*03T
- \*7 When using a Terminal Block Conversion Adapter (CA3-ADPTRM-01) instead of the RS-422 Terminal Block Conversion Adapter, refer to Cable Diagram 9A.

9A)

- 1:1 Connection



- 1:n Connection

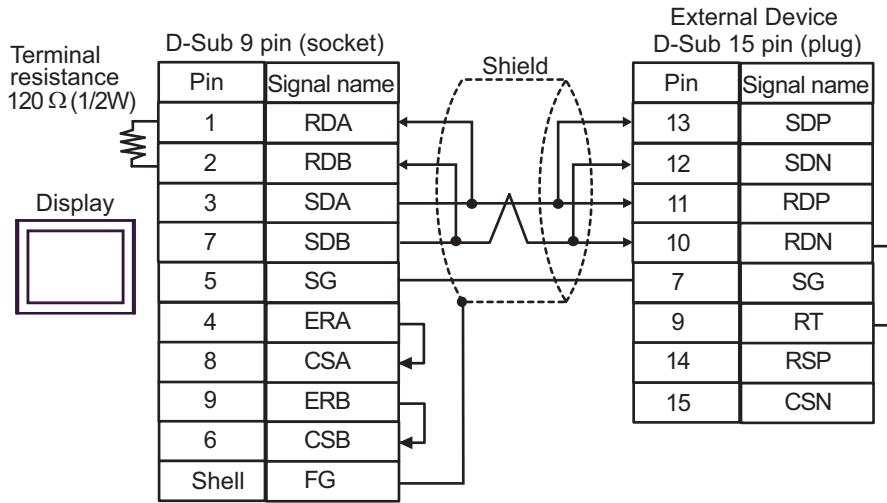


**NOTE**

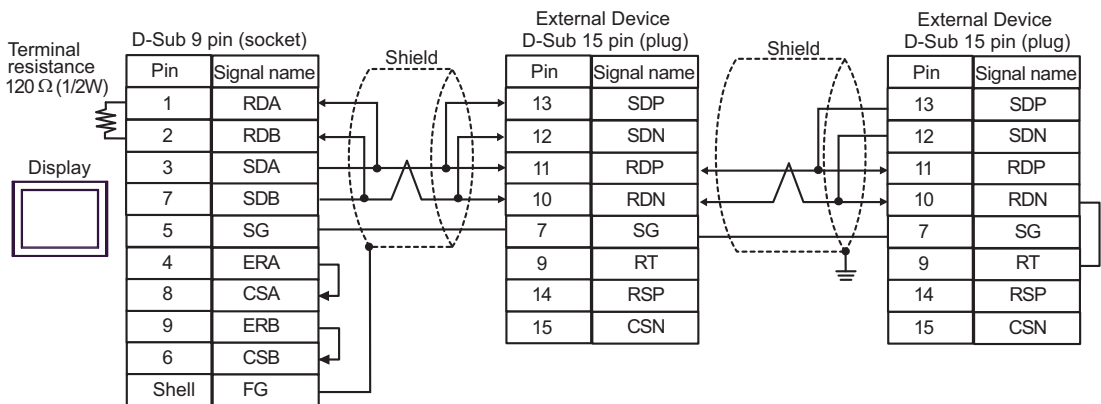
- Cable length: 250m or less

9B)

- 1:1 Connection



- 1:n Connection

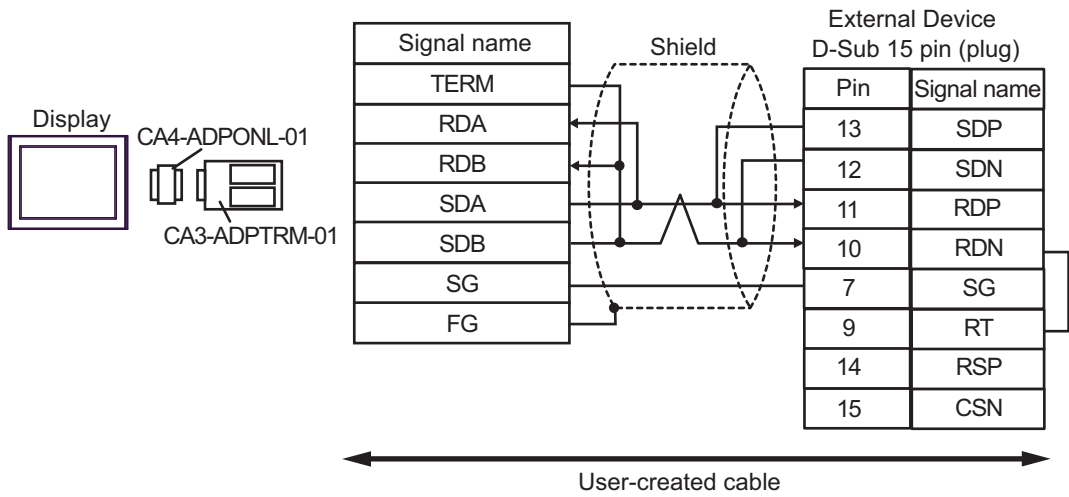


**NOTE**

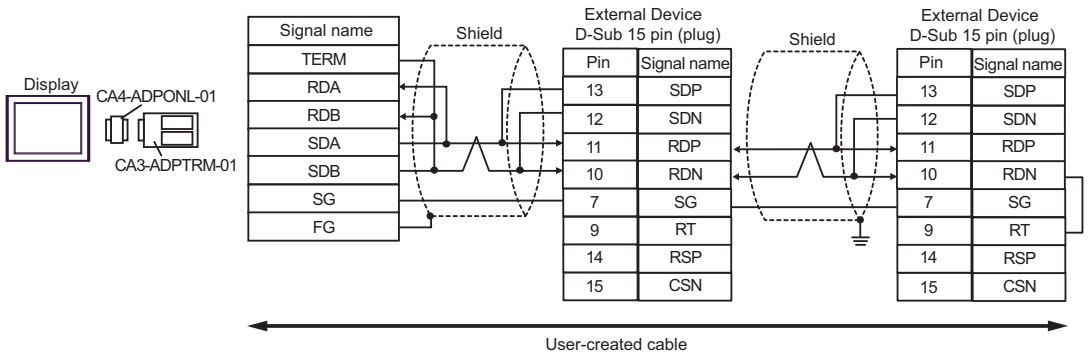
- Cable length: 250m or less

9C)

- 1:1 Connection



- 1:n Connection

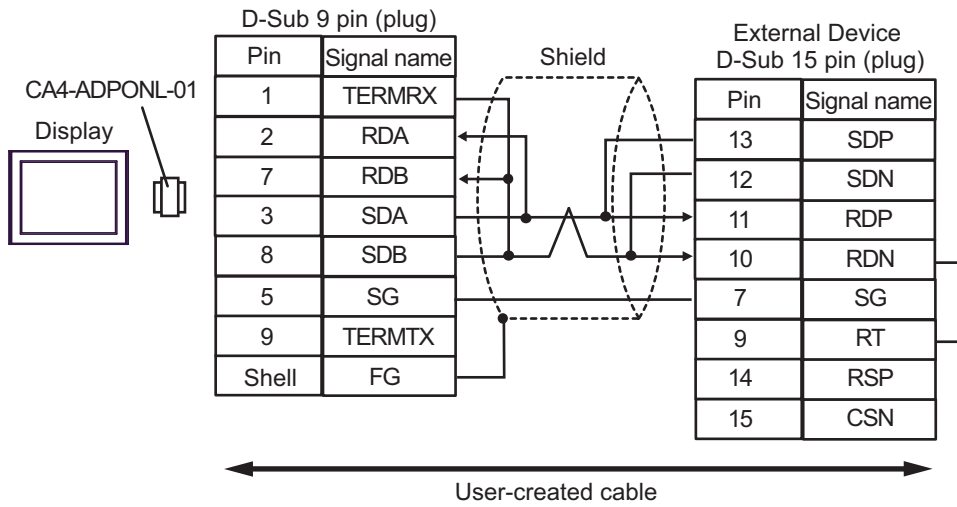


**NOTE**

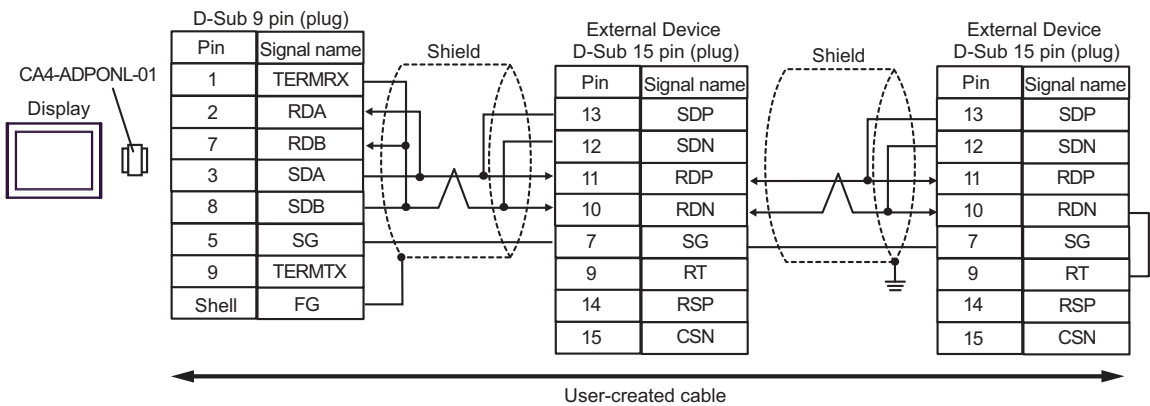
- Cable length: 250m or less

9D)

- 1:1 Connection



- 1:n Connection

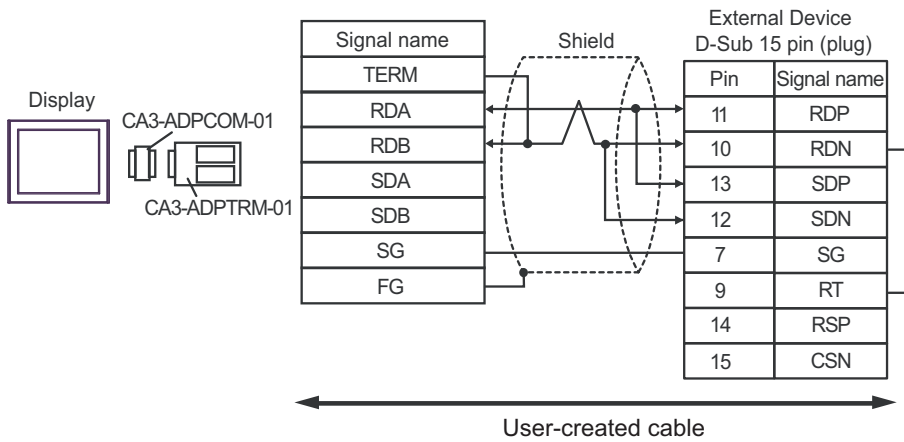


**NOTE**

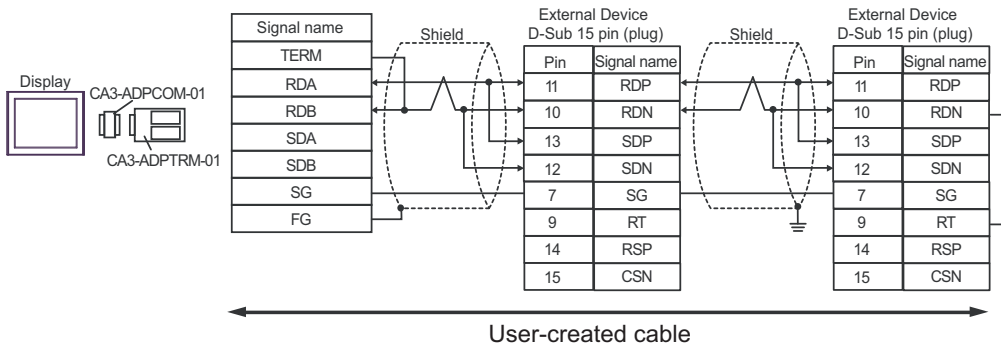
- Cable length: 250m or less

9E)

- 1:1 Connection



- 1:n Connection

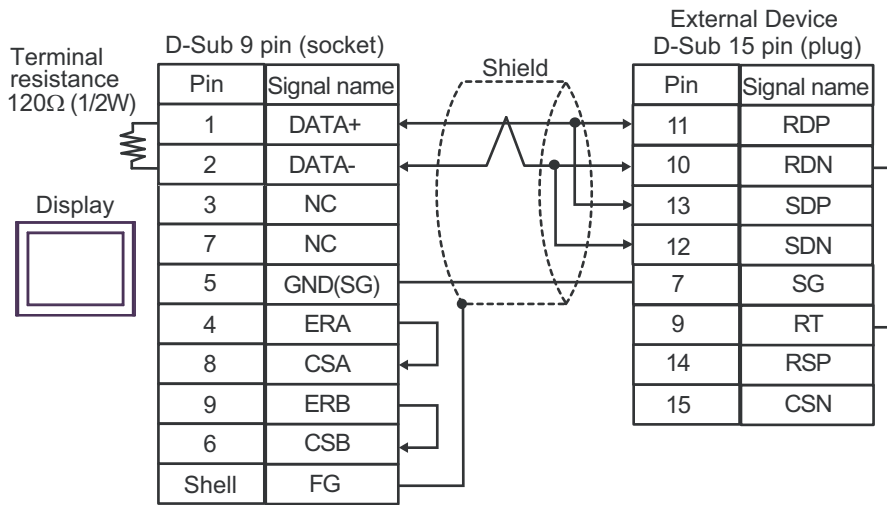


**NOTE**

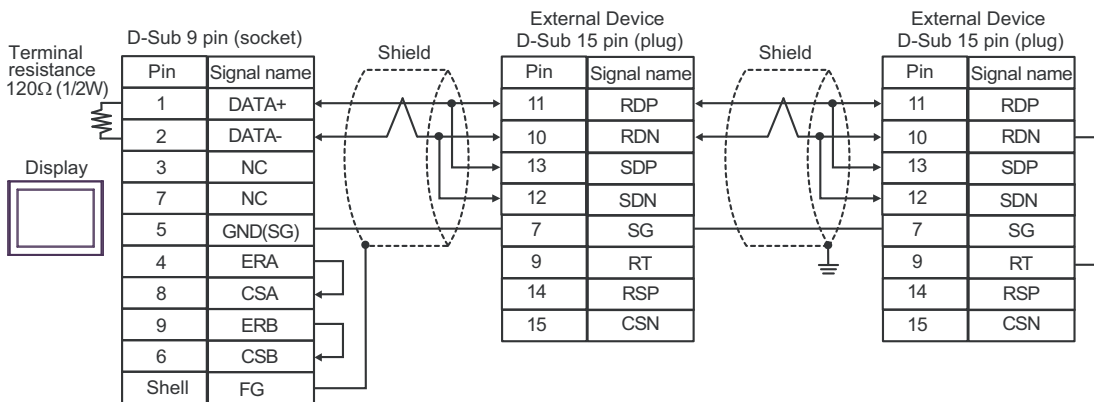
- Cable length: 250m or less

9F)

- 1:1 Connection



- 1:n Connection



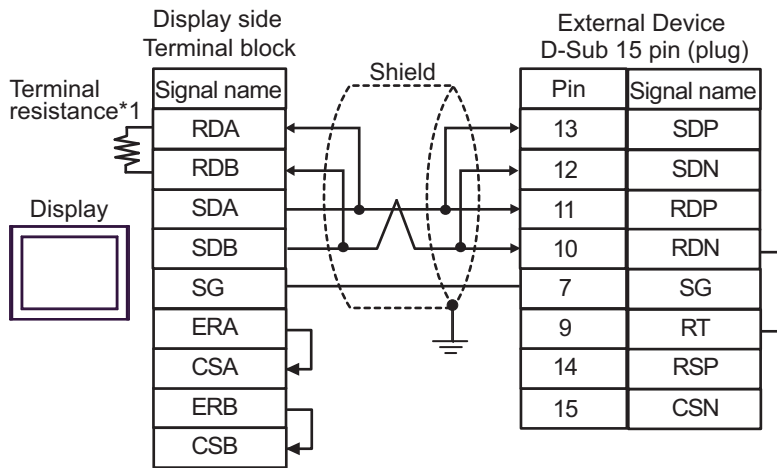
**NOTE**

- Cable length: 250m or less

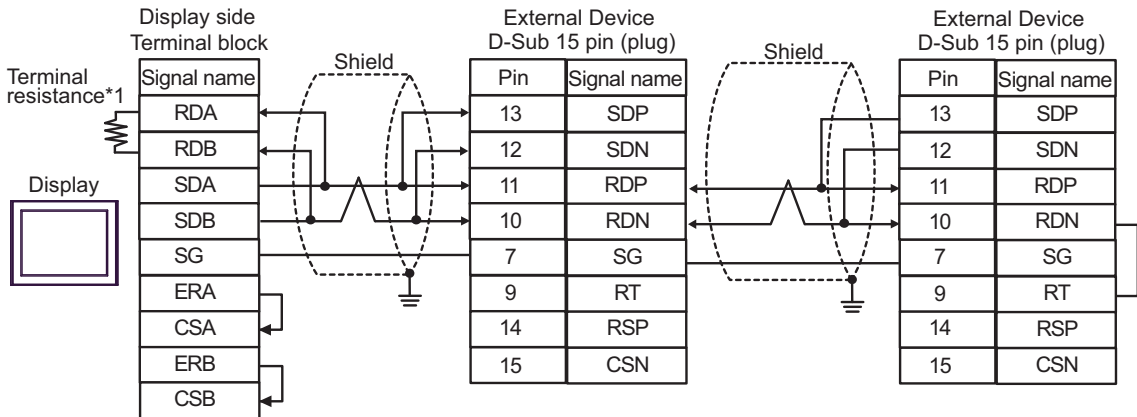


9G)

- 1:1 Connection



- 1:n Connection



**NOTE**

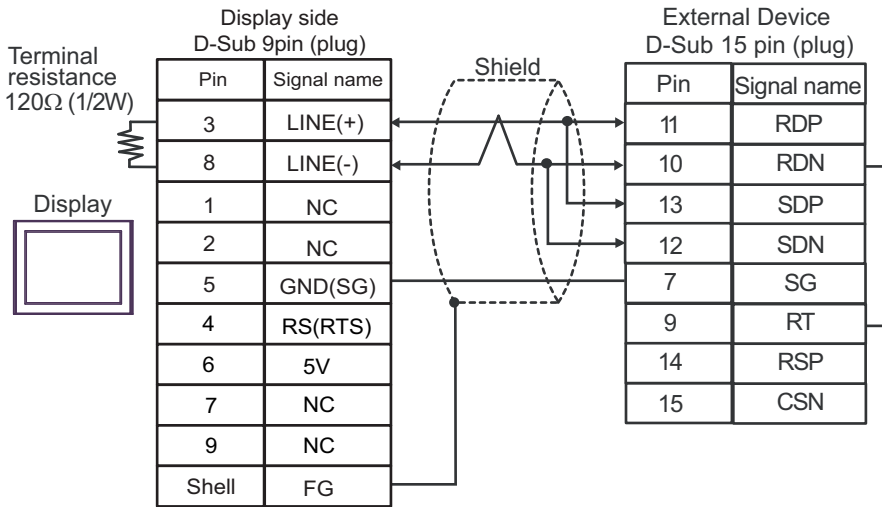
- Cable length: 250m or less

\*1 The resistance in the Display is used as the termination resistance. Set the value of the DIP Switch on the rear of the Display as shown in the table below.

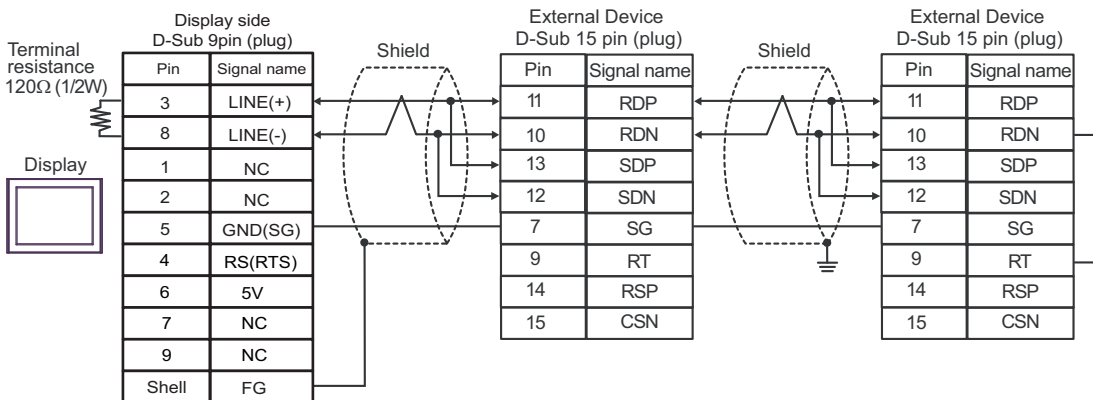
DIP Switch No.	Set Value
1	OFF
2	OFF
3	ON
4	ON

9H)

- 1:1 Connection



- 1:n Connection



**IMPORTANT**

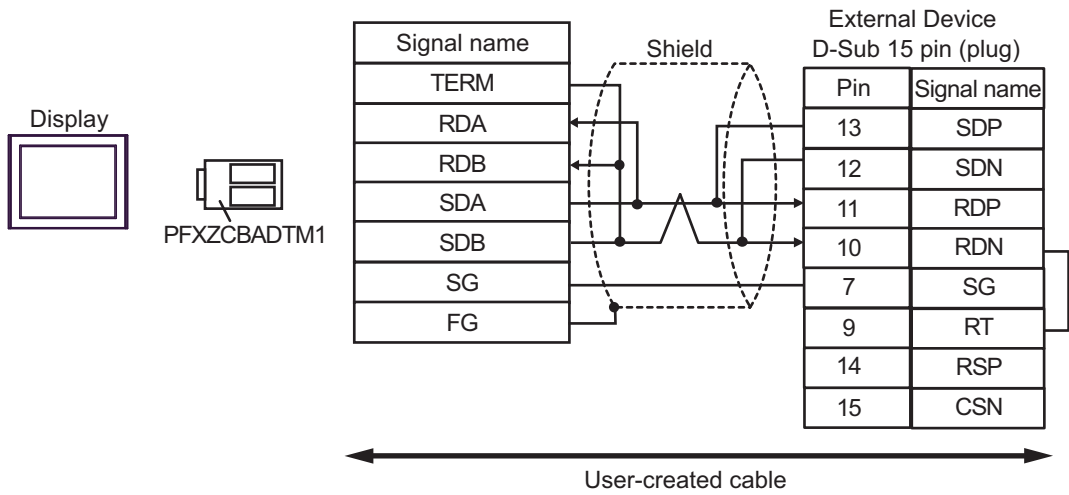
- The 5V output (Pin #6) on the Display is the power for the Siemens AG's PROFIBUS connector. Do not use it for other devices.

**NOTE**

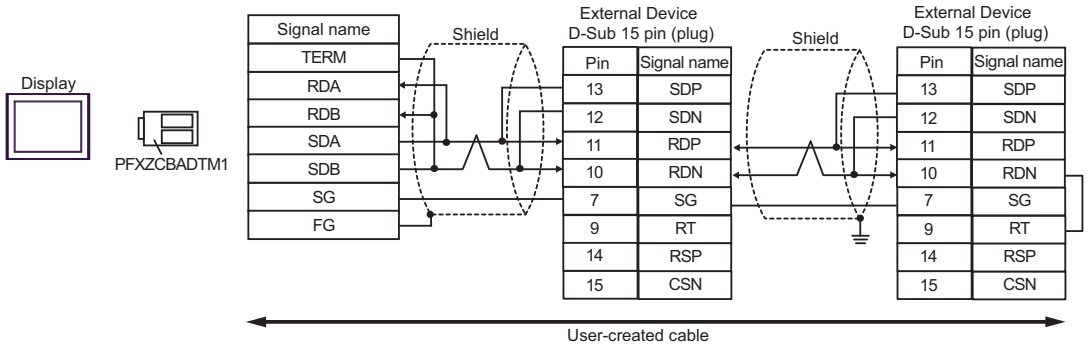
- In COM on the GP-4107, the SG and FG terminals are isolated.
- Cable length: 250m or less

9)

- 1:1 Connection



- 1:n Connection

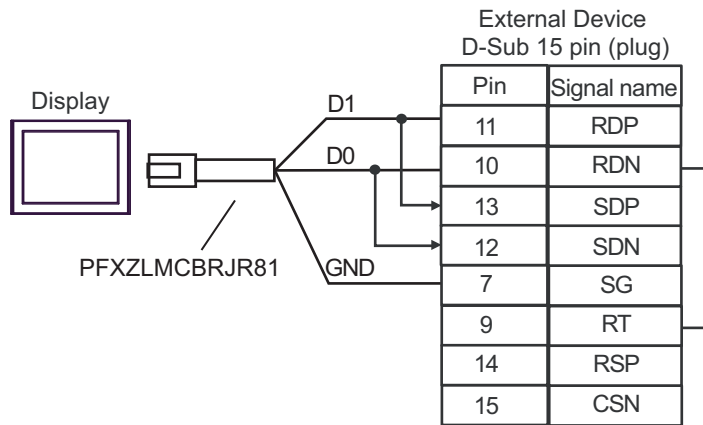


**NOTE**

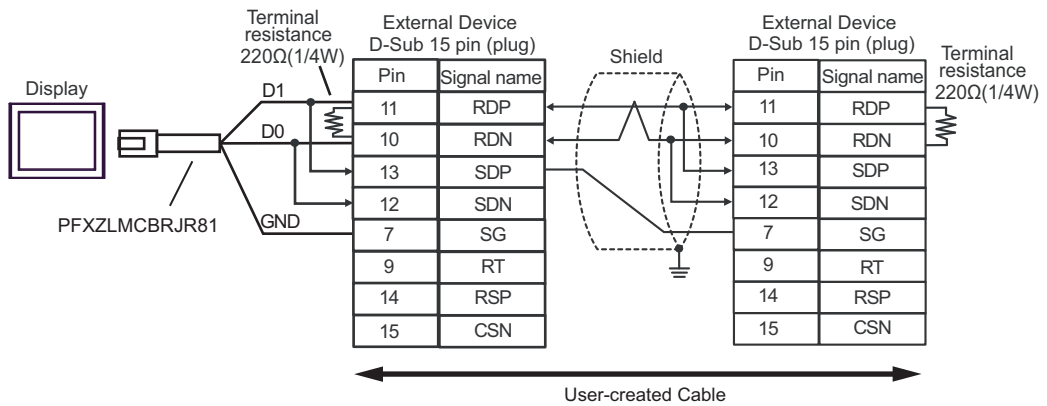
- Cable length: 250m or less

9J)

- 1:1 Connection



- 1:n Connection



## 5.10 Cable Diagram 10

Display (Connection Port)	Cable		Remarks
GP3000 <sup>*1</sup> (COM1) AGP-3302B (COM2) GP-4*01TM (COM1) ST <sup>*2</sup> (COM2) LT3000 (COM1) IPC <sup>*3</sup>	10A	COM port conversion adapter by Pro-face CA3-ADPCOM-01 + Terminal block conversion adapter by Pro-face CA3-ADPTRM-01 + User-created cable	Cable length: 500m or less
	10B	User-created cable	
GP3000 <sup>*4</sup> (COM2)	10C	Online adapter by Pro-face CA4-ADPONL-01 + Terminal block conversion adapter by Pro-face CA3-ADPTRM-01 + User-created cable	Cable length: 500m or less
	10D	Online adapter by Pro-face CA4-ADPONL-01 + User-created cable	
GP-4106 (COM1)	10E	User-created cable	Cable length: 500m or less
GP4000 <sup>*5</sup> (COM2) GP-4201T (COM1) SP5000 (COM1/2)	10F	RS-422 terminal block conversion adapter by Pro-face PFZCBADTM1 <sup>*6</sup> + User-created cable	Cable length: 500m or less
	10B	User-created cable	

\*1 All GP3000 models except AGP-3302B

\*2 All ST models except AST-3211A and AST-3302B

\*3 Only the COM port which can communicate by RS-422/485 (4 wire) can be used.  
■ IPC COM Port (page 9)

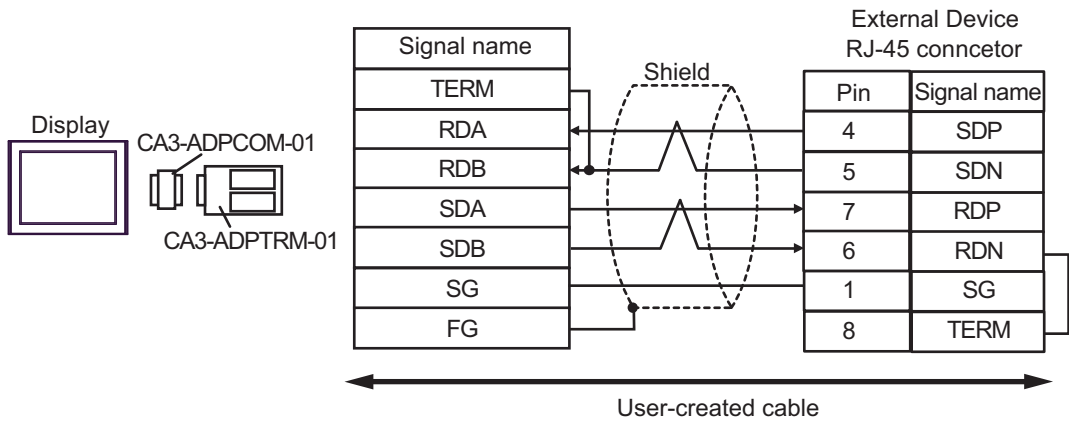
\*4 All GP3000 models except GP-3200 series and AGP-3302B

\*5 All GP4000 models except GP-4100 series, GP-4\*01TM, GP-4201T and GP-4\*03T

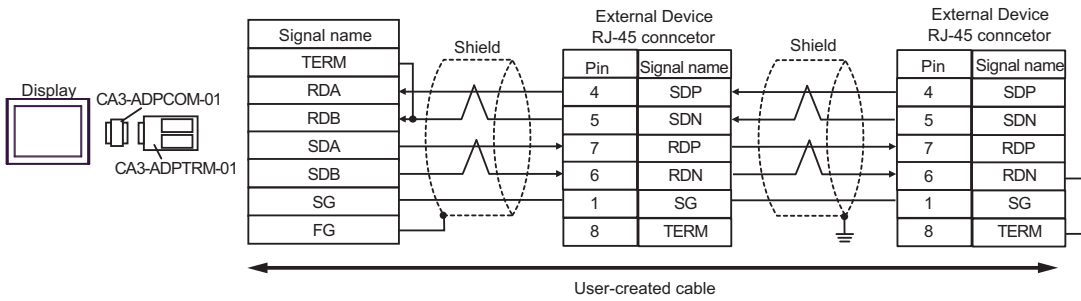
\*6 When using a Terminal Block Conversion Adapter (CA3-ADPTRM-01) instead of the RS-422 Terminal Block Conversion Adapter, refer to Cable Diagram 10A.

10A)

- 1:1 Connection



- 1:n Connection

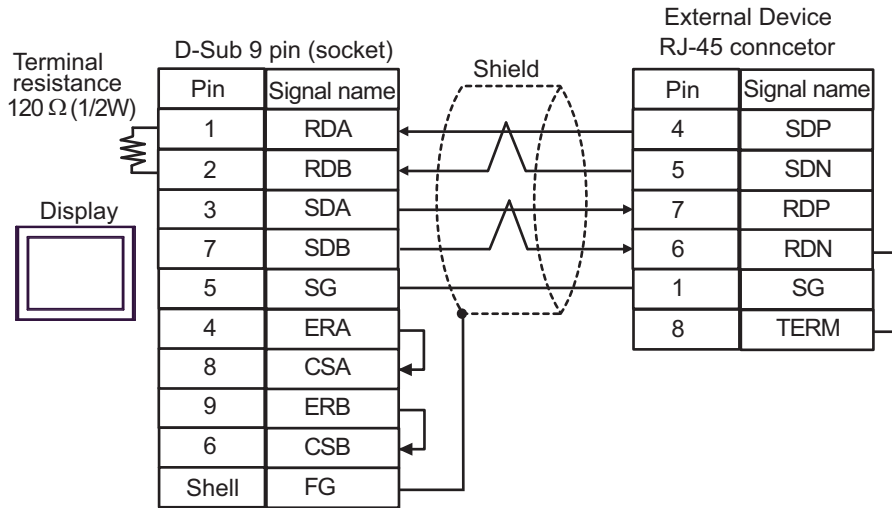


**NOTE**

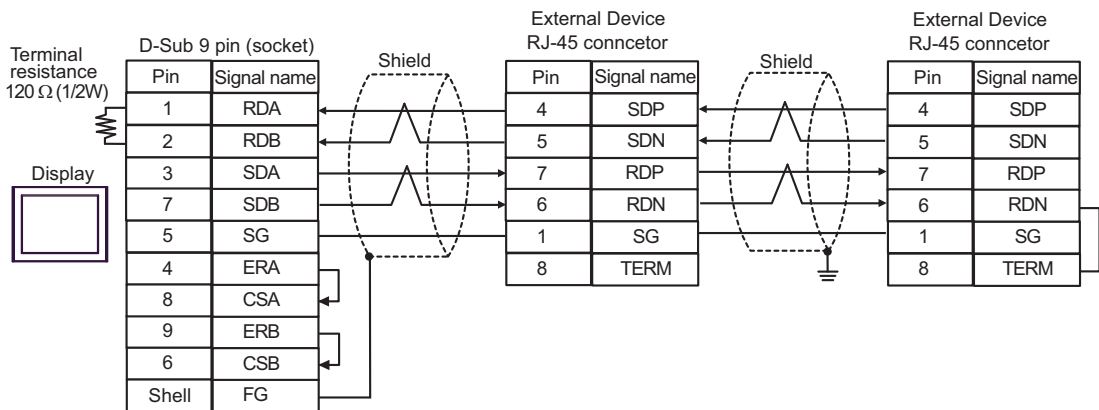
- Cable length: 500m or less

10B)

- 1:1 Connection



- 1:n Connection

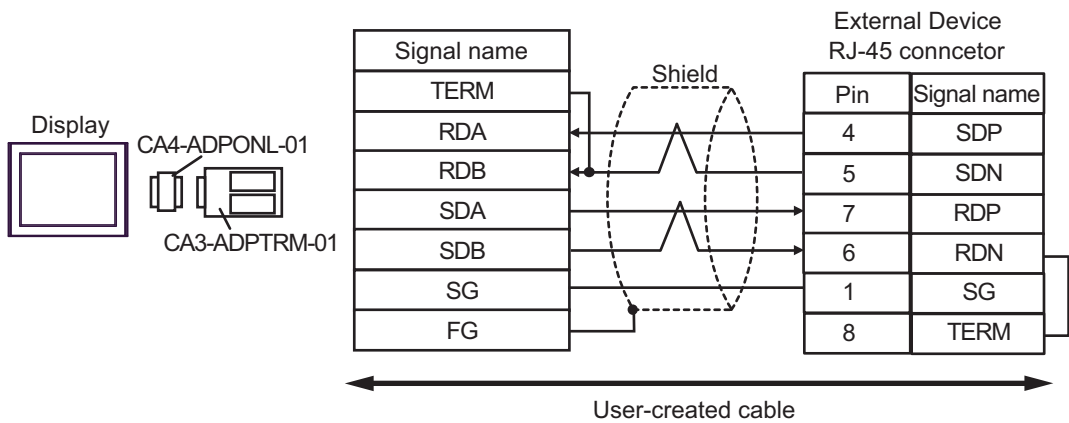


**NOTE**

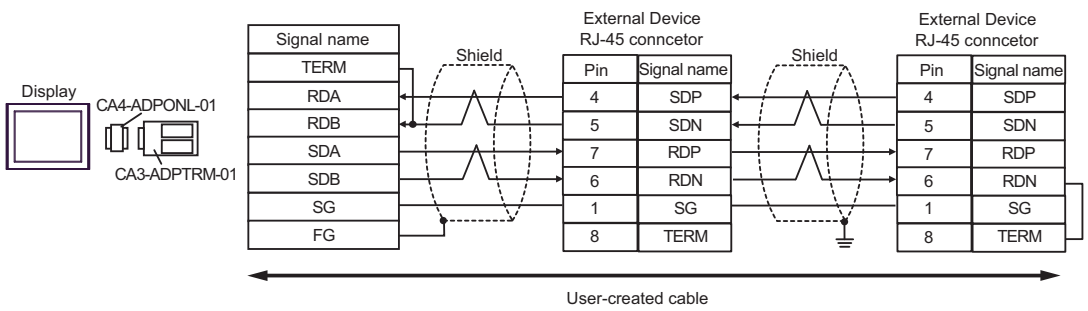
- Cable length: 500m or less

10C)

- 1:1 Connection



- 1:n Connection



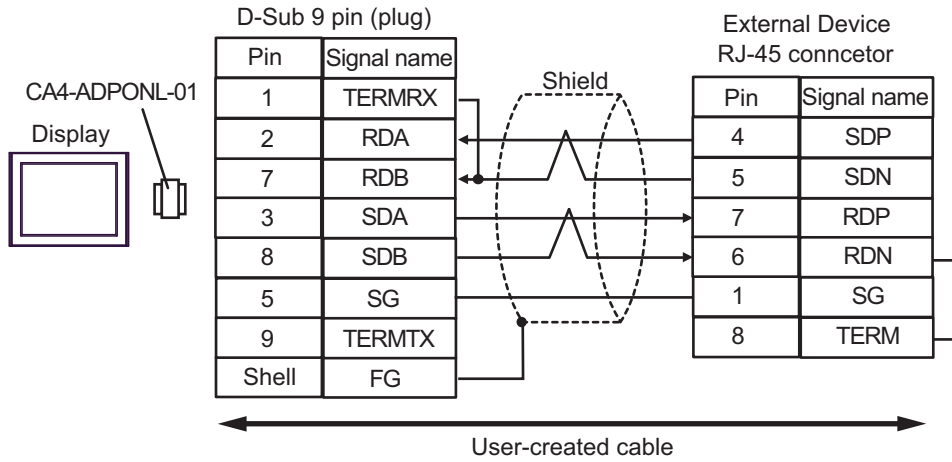
**NOTE**

- Cable length: 500m or less

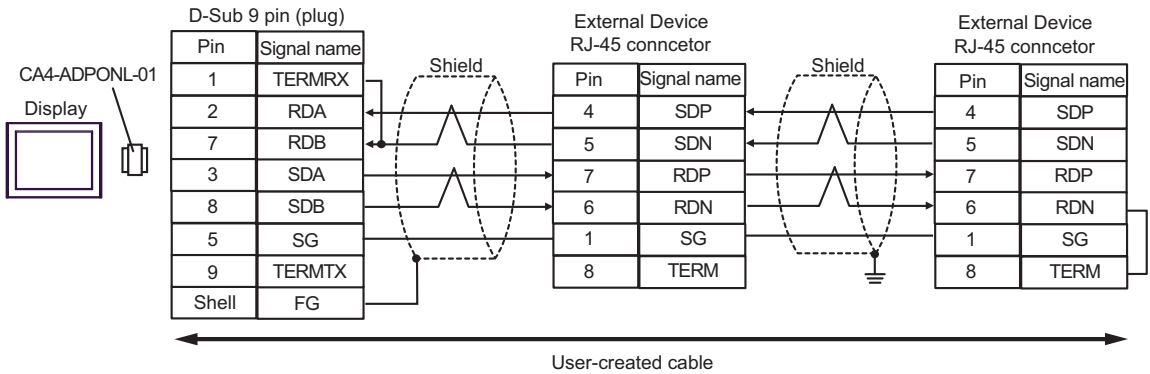


10D)

- 1:1 Connection



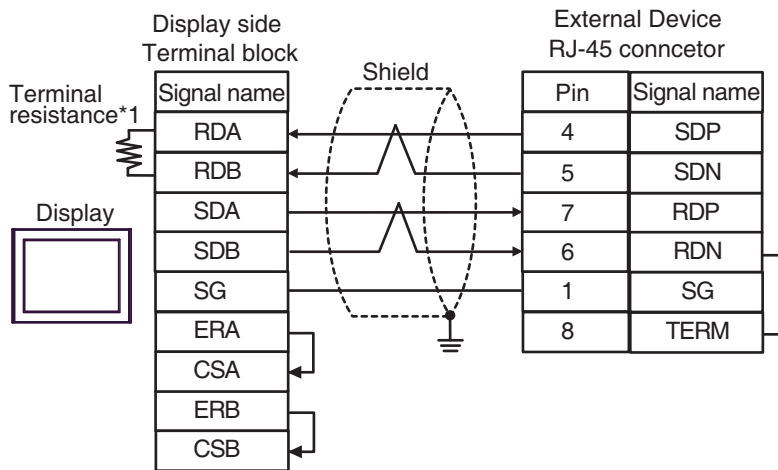
- 1:n Connection



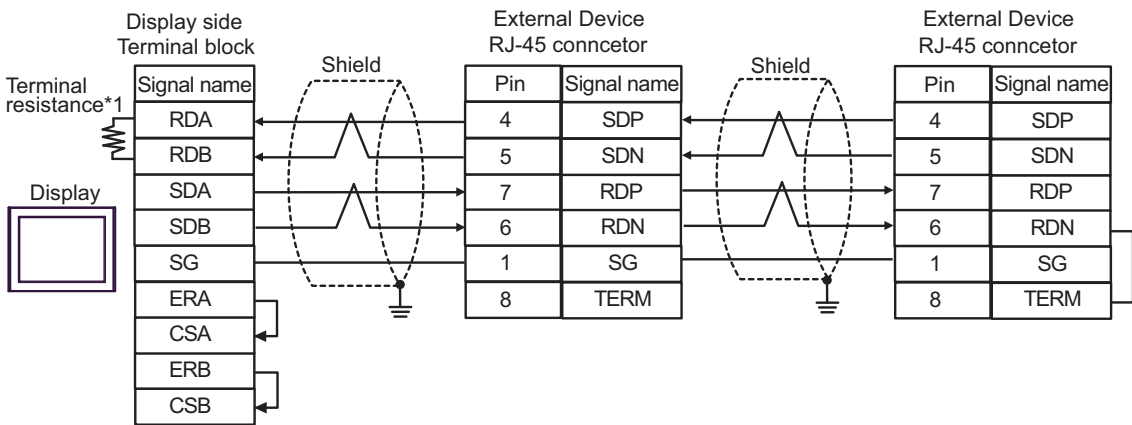
**NOTE** • Cable length: 500m or less

10E)

- 1:1 Connection



- 1:n Connection



**NOTE**

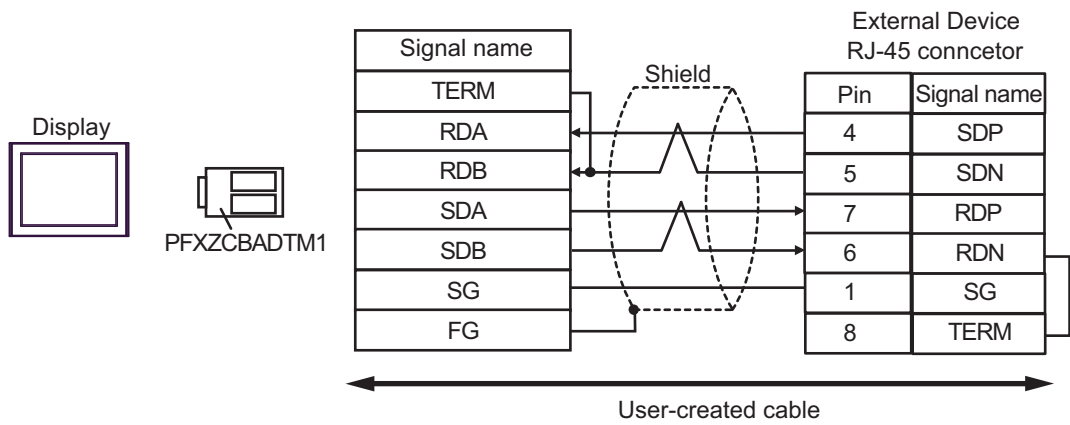
- Cable length: 500m or less

\*1 The resistance in the Display is used as the termination resistance. Set the value of the DIP Switch on the rear of the Display as shown in the table below.

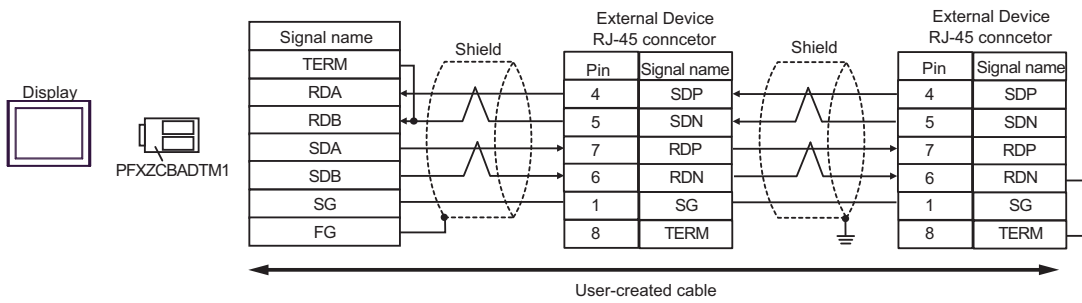
DIP Switch No.	Set Value
1	OFF
2	OFF
3	ON
4	ON

10F)

- 1:1 Connection



- 1:n Connection



**NOTE**

- Cable length: 500m or less

## 5.11 Cable Diagram 11

Display (Connection Port)	Cable		Remarks
GP3000 <sup>*1</sup> (COM1) AGP-3302B (COM2) GP-4*01TM (COM1) ST <sup>*2</sup> (COM2) LT3000 (COM1)	11A	COM port conversion adapter by Pro-face CA3-ADPCOM-01 + Terminal block conversion adapter by Pro-face CA3-ADPTRM-01 + User-created cable	Cable length: 500m or less
	11B	User-created cable	
GP3000 <sup>*3</sup> (COM2)	11C	Online adapter by Pro-face CA4-ADPONL-01 + Terminal block conversion adapter by Pro-face CA3-ADPTRM-01 + User-created cable	Cable length: 500m or less
	11D	Online adapter by Pro-face CA4-ADPONL-01 + User-created cable	
IPC <sup>*4</sup>	11E	COM port conversion adapter by Pro-face CA3-ADPCOM-01 + Terminal block conversion adapter by Pro-face CA3-ADPTRM-01 + User-created cable	Cable length: 500m or less
	11F	User-created cable	
GP-4106 (COM1)	11G	User-created cable	Cable length: 500m or less
GP-4107 (COM1) GP-4*03T <sup>*5</sup> (COM2) GP-4203T (COM1)	11H	User-created cable	Cable length: 500m or less
GP4000 <sup>*6</sup> (COM2) GP-4201T (COM1) SP5000 (COM1/2)	11I	RS-422 terminal block conversion adapter by Pro-face PFXZCBADTM1 <sup>*7</sup> + User-created cable	Cable length: 500m or less
	11B	User-created cable	
LT-4*01TM (COM1) LT-Rear Module (COM1)	11J	RJ45 RS-485 Cable (5m) by Pro-face PFXZLMCBJR81	Cable length: 200m or less

\*1 All GP3000 models except AGP-3302B

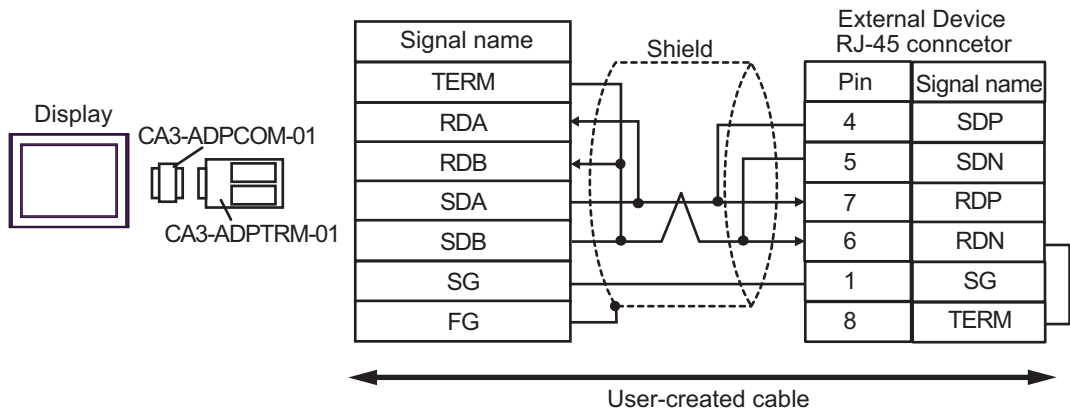
\*2 All ST models except AST-3211A and AST-3302B

\*3 All GP3000 models except GP-3200 series and AGP-3302B

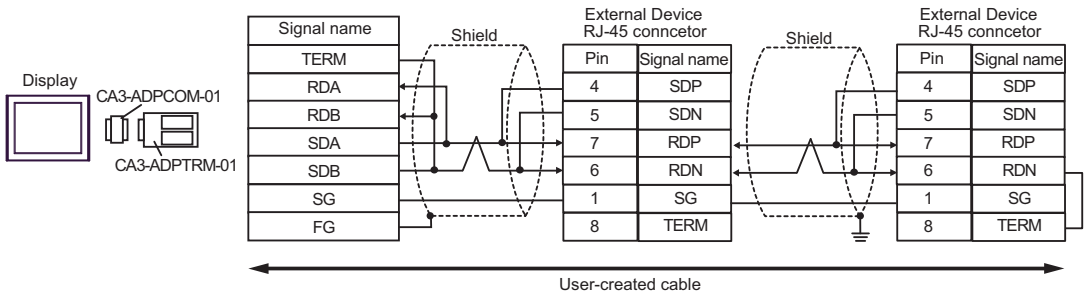
- \*4 Only the COM port which can communicate by RS-422/485 (2 wire) can be used.
  - IPC COM Port (page 9)
- \*5 Except GP-4203T
- \*6 All GP4000 models except GP-4100 series, GP-4\*01TM, GP-4201T and GP-4\*03T
- \*7 When using a Terminal Block Conversion Adapter (CA3-ADPTRM-01) instead of the RS-422 Terminal Block Conversion Adapter, refer to Cable Diagram 11A.

11A)

- 1:1 Connection



- 1:n Connection

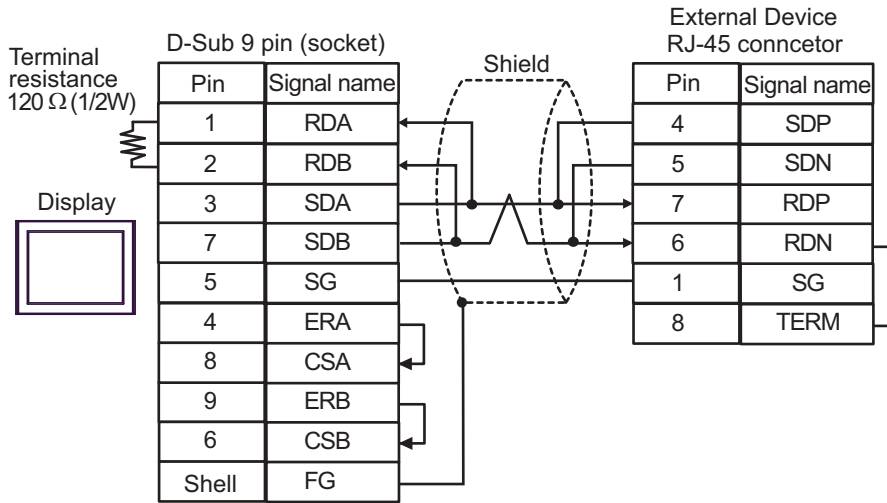


**NOTE**

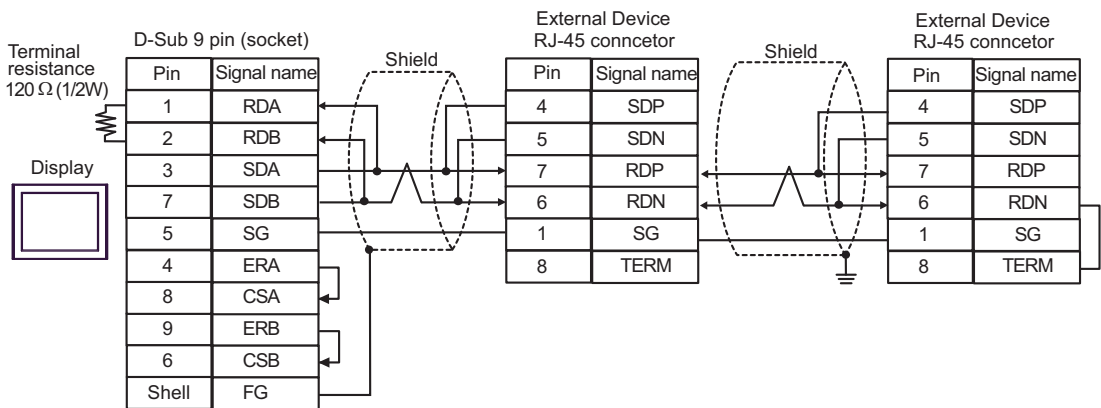
- Cable length: 500m or less

11B)

- 1:1 Connection



- 1:n Connection

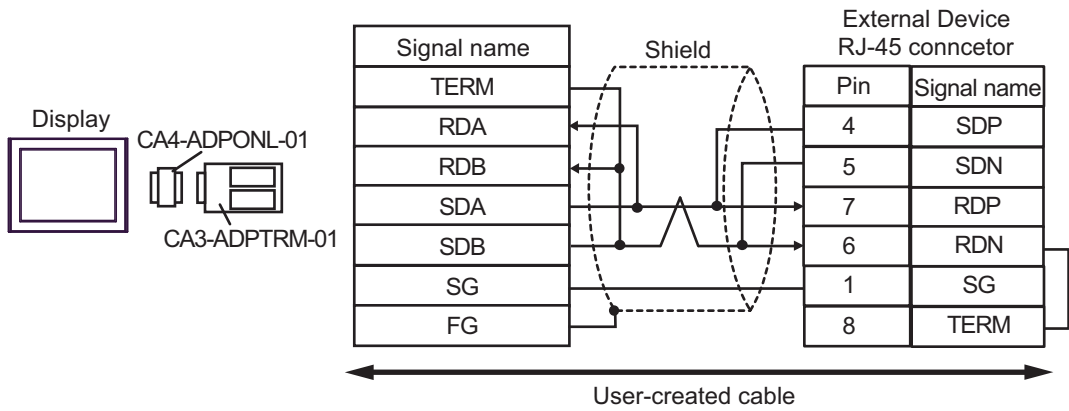


**NOTE**

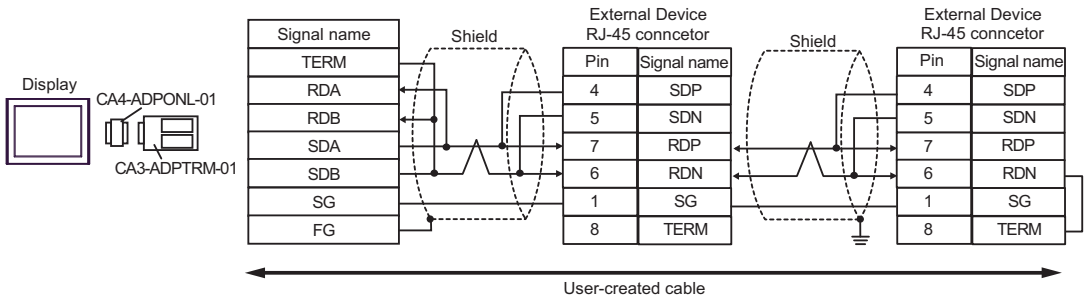
- Cable length: 500m or less

11C)

- 1:1 Connection



- 1:n Connection



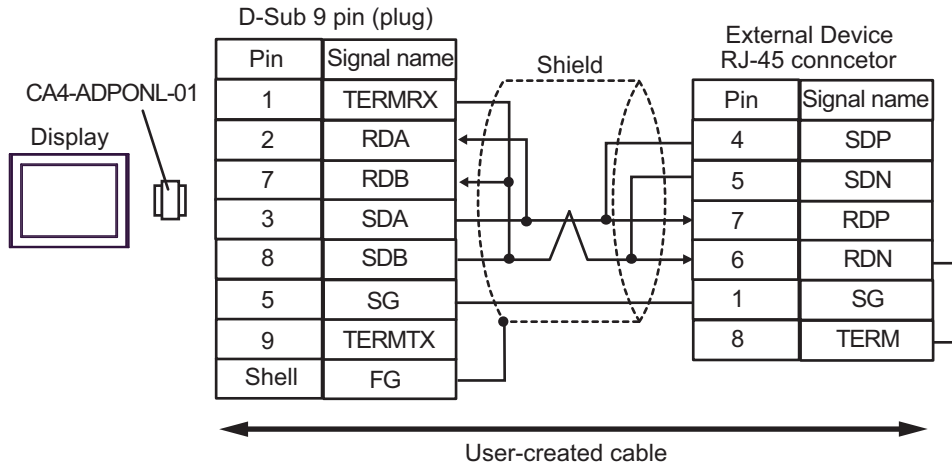
**NOTE**

- Cable length: 500m or less

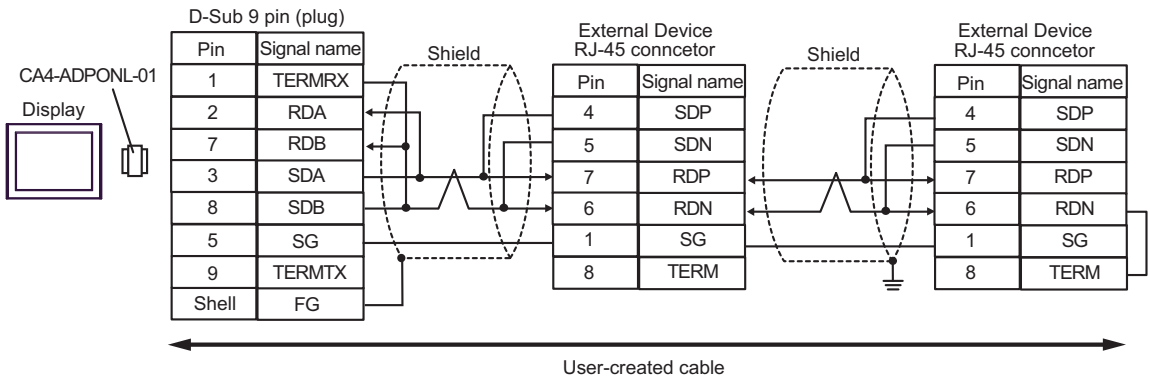


11D)

- 1:1 Connection



- 1:n Connection

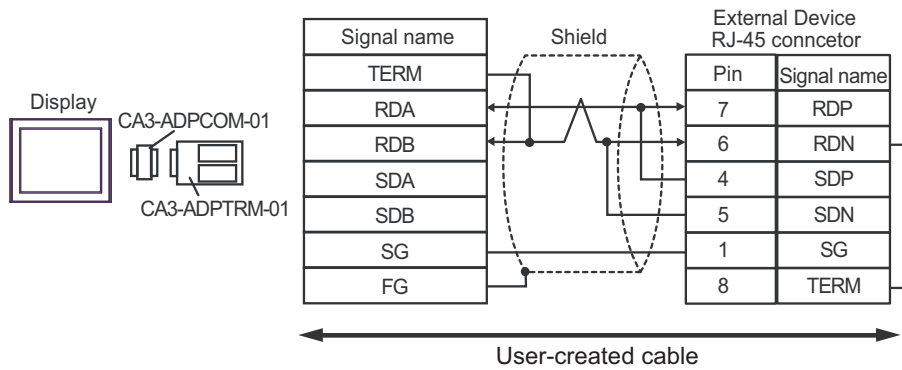


**NOTE**

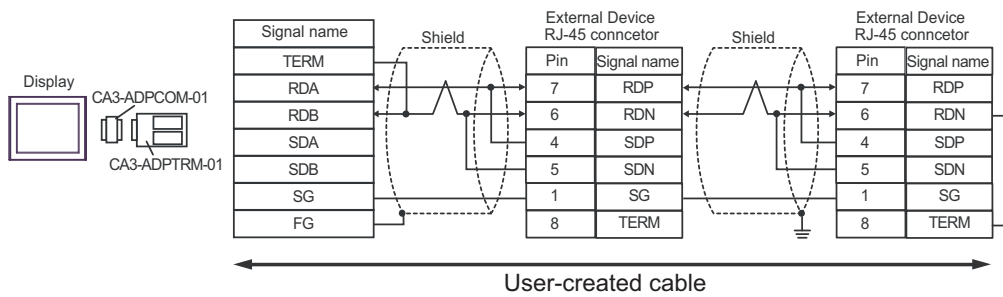
- Cable length: 500m or less

11E)

- 1:1 Connection



- 1:n Connection

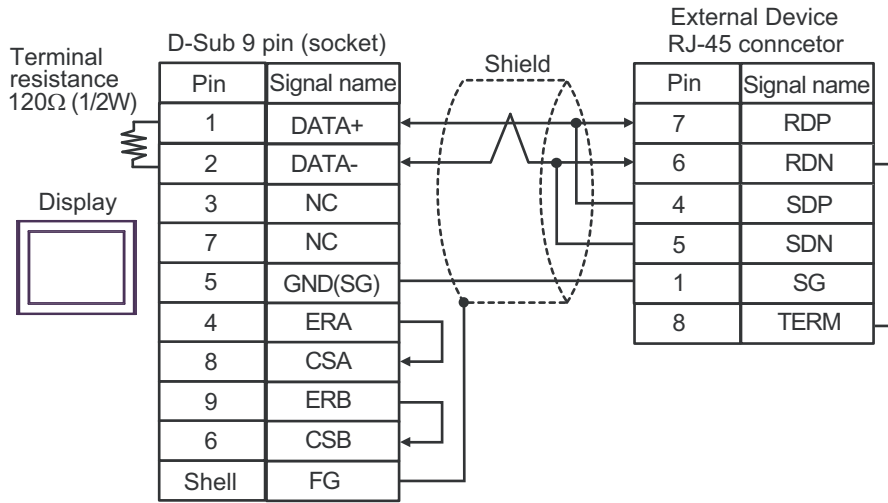


**NOTE**

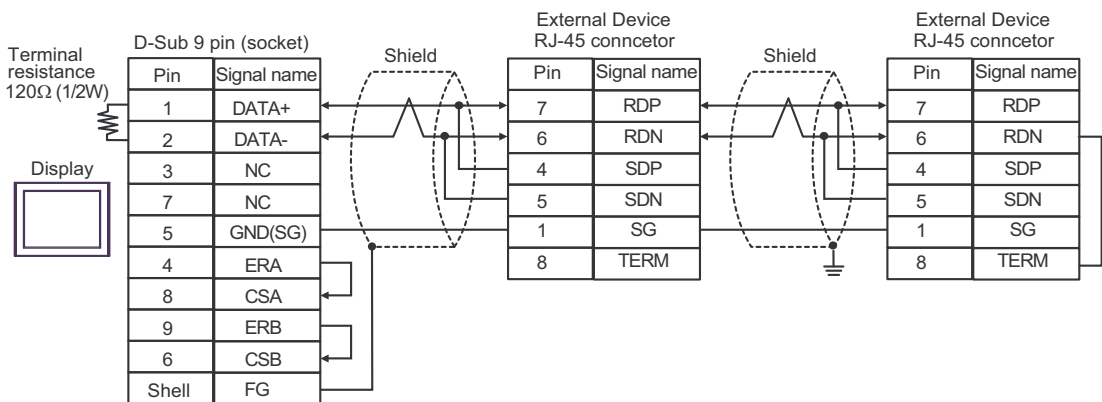
- Cable length: 500m or less

11F)

- 1:1 Connection



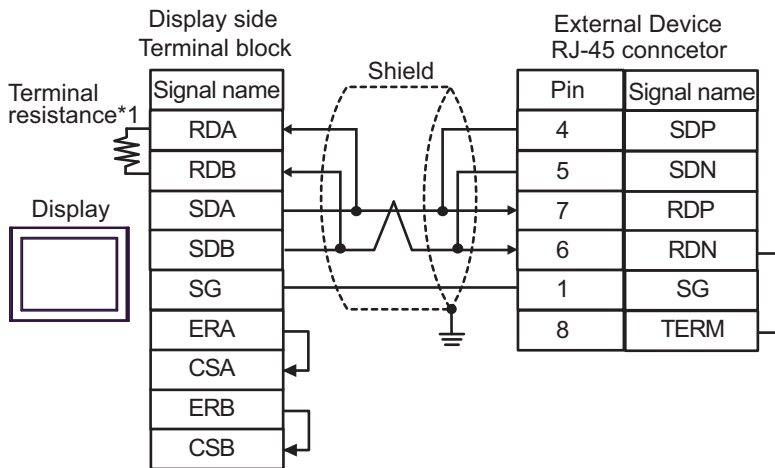
- 1:n Connection

**NOTE**

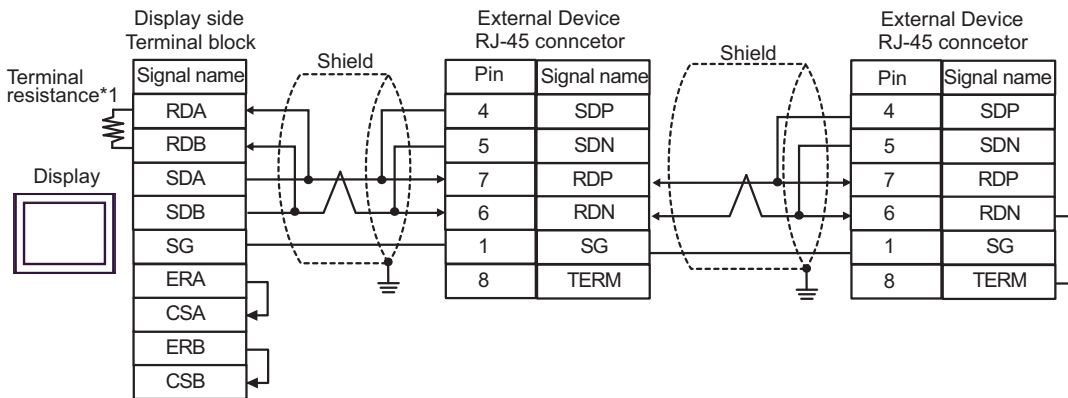
- Cable length: 500m or less

11G)

- 1:1 Connection



- 1:n Connection



**NOTE**

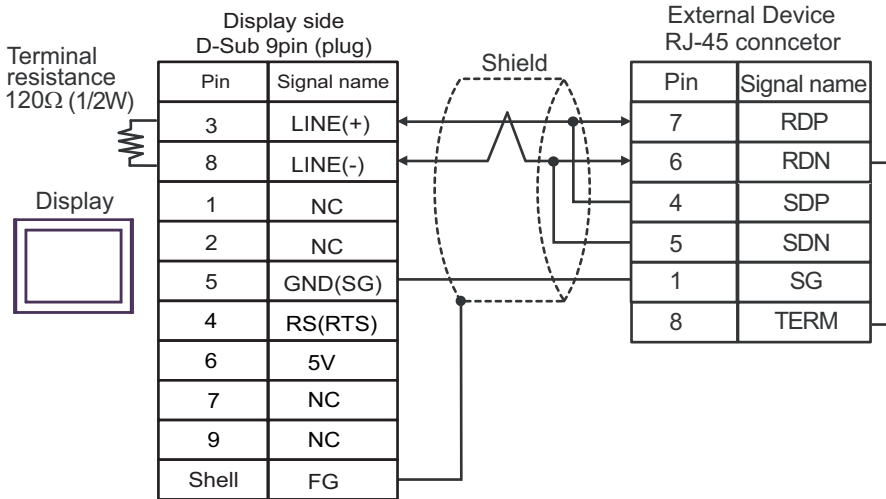
- Cable length: 500m or less

\*1 The resistance in the Display is used as the termination resistance. Set the value of the DIP Switch on the rear of the Display as shown in the table below.

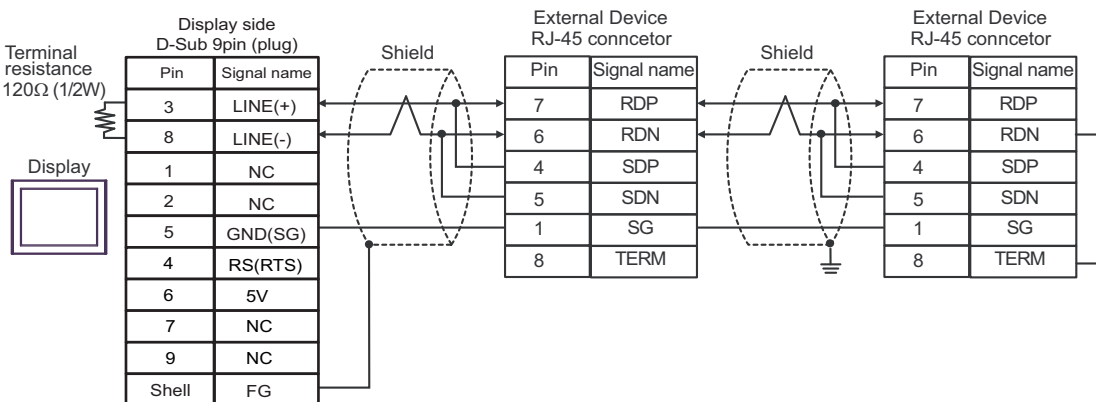
DIP Switch No.	Set Value
1	OFF
2	OFF
3	ON
4	ON

11H)

- 1:1 Connection



- 1:n Connection

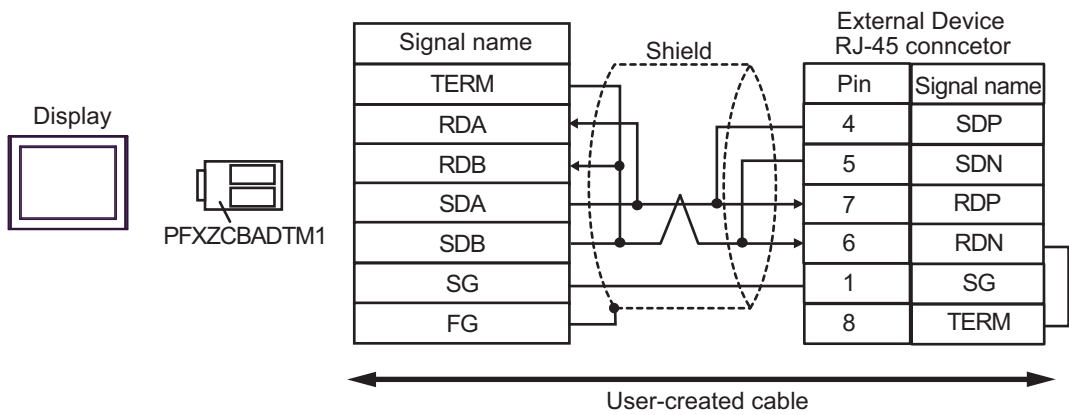


**IMPORTANT** • The 5V output (Pin #6) on the Display is the power for the Siemens AG's PROFIBUS connector. Do not use it for other devices.

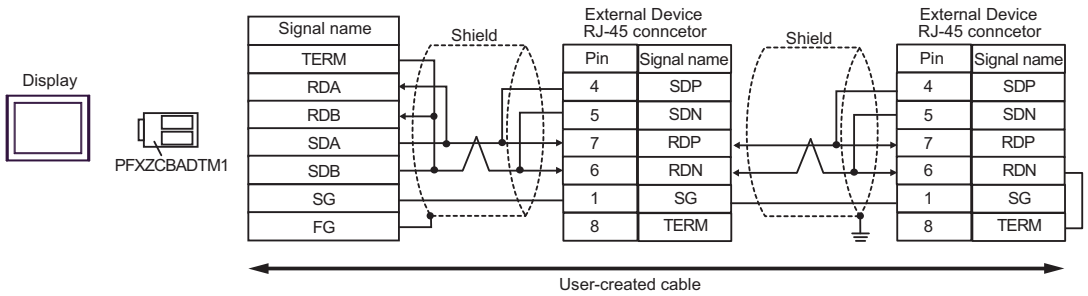
**NOTE** • In COM on the GP-4107, the SG and FG terminals are isolated.  
• Cable length: 500m or less

11)

- 1:1 Connection



- 1:n Connection

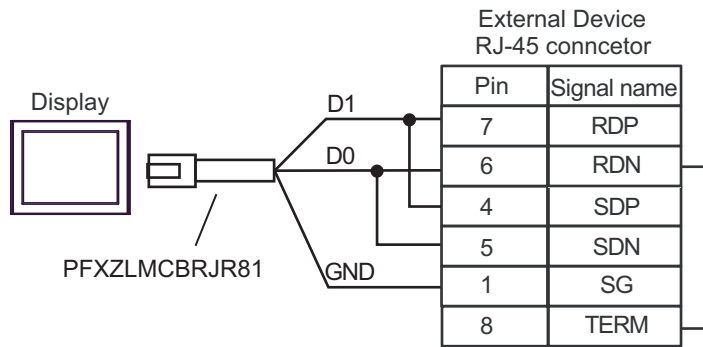


**NOTE**

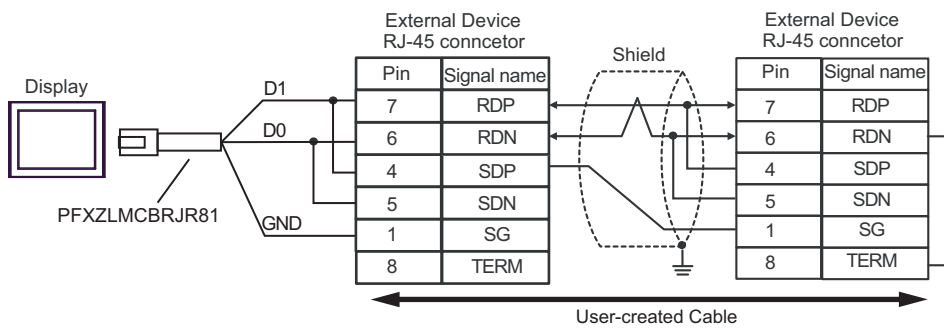
- Cable length: 500m or less

11J)

- 1:1 Connection



- 1:n Connection



### 5.12 Cable Diagram 12

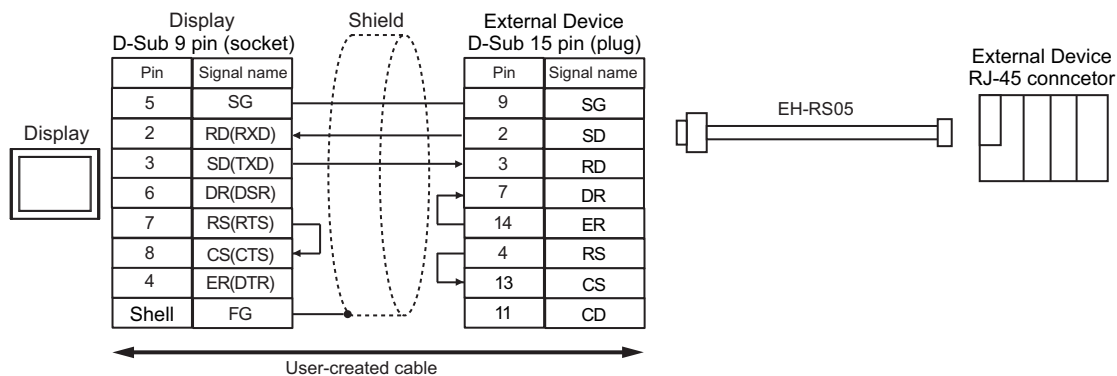
Display (Connection Port)	Cable		Remarks
GP3000 (COM1) GP4000* <sup>1</sup> (COM1) SP5000 (COM1/2) ST (COM1) LT3000 (COM1) IPC* <sup>2</sup> PC/AT	12A	User-created cable + Conversion cable by Hitachi IES Co., Ltd. EH-RS05(0.5m)	Cable length: 15m or less
GP-4105 (COM1)	12B	User-created cable + Conversion cable by Hitachi IES Co., Ltd. EH-RS05(0.5m)	Cable length: 15m or less
LT-4*01TM (COM1) LT-Rear Module (COM1)	12C	RJ45 RS-232C Cable (5m) by Pro-face PFXZLMCBRJ21 + Conversion cable by Hitachi IES Co., Ltd. EH-RS05(0.5m)	Cable length: 15m or less

\*1 All GP4000 models except GP-4100 series and GP-4203T

\*2 Only the COM port which can communicate by RS-232C can be used.

■ IPC COM Port (page 9)

12A)

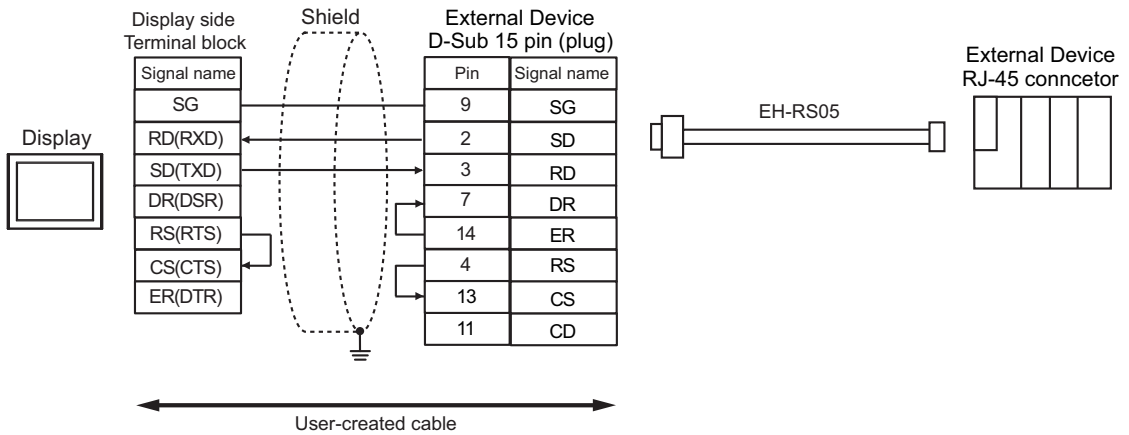


**NOTE**

- Cable length: 15m or less



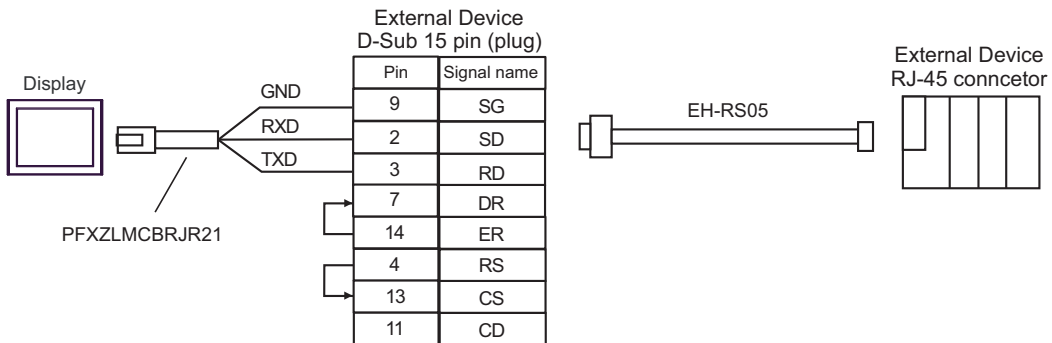
12B)



**NOTE**

- Cable length: 15m or less

12C)



**NOTE**

- Cable length: 15m or less

## 5.13 Cable Diagram 13

Display (Connection Port)	Cable		Remarks
GP3000* <sup>1</sup> (COM1) AGP-3302B (COM2) GP-4*01TM (COM1) ST* <sup>2</sup> (COM2) LT3000 (COM1) IPC* <sup>3</sup>	13A	COM port conversion adapter by Pro-face CA3-ADPCOM-01 + Terminal block conversion adapter by Pro-face CA3-ADPTRM-01 + User-created cable	Cable length: 500m or less
	13B	User-created cable	
GP3000* <sup>4</sup> (COM2)	13C	Online adapter by Pro-face CA4-ADPONL-01 + Terminal block conversion adapter by Pro-face CA3-ADPTRM-01 + User-created cable	Cable length: 500m or less
	13D	Online adapter by Pro-face CA4-ADPONL-01 + User-created cable	
GP-4106 (COM1)	13E	User-created cable	Cable length: 500m or less
GP4000* <sup>5</sup> (COM2) GP-4201T (COM1) SP5000 (COM1/2)	13F	RS-422 terminal block conversion adapter by Pro-face PFXZCBADTM1* <sup>6</sup> + User-created cable	Cable length: 500m or less
	13B	User-created cable	

\*1 All GP3000 models except AGP-3302B

\*2 All ST models except AST-3211A and AST-3302B

\*3 Only the COM port which can communicate by RS-422/485 (4 wire) can be used.  
 ■ IPC COM Port (page 9)

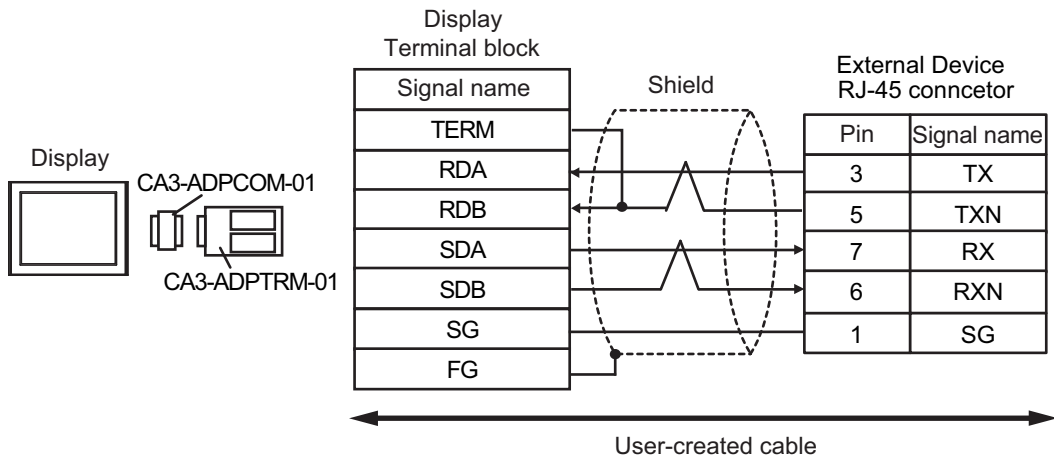
\*4 All GP3000 models except GP-3200 series and AGP-3302B

\*5 All GP4000 models except GP-4100 series, GP-4\*01TM, GP-4201T and GP-4\*03T

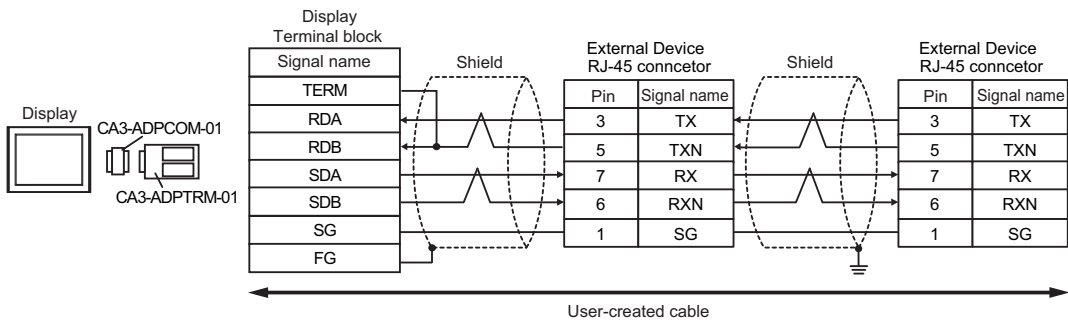
\*6 When using a Terminal Block Conversion Adapter (CA3-ADPTRM-01) instead of the RS-422 Terminal Block Conversion Adapter, refer to Cable Diagram 13A.

13A)

- 1:1 Connection



- 1:n Connection

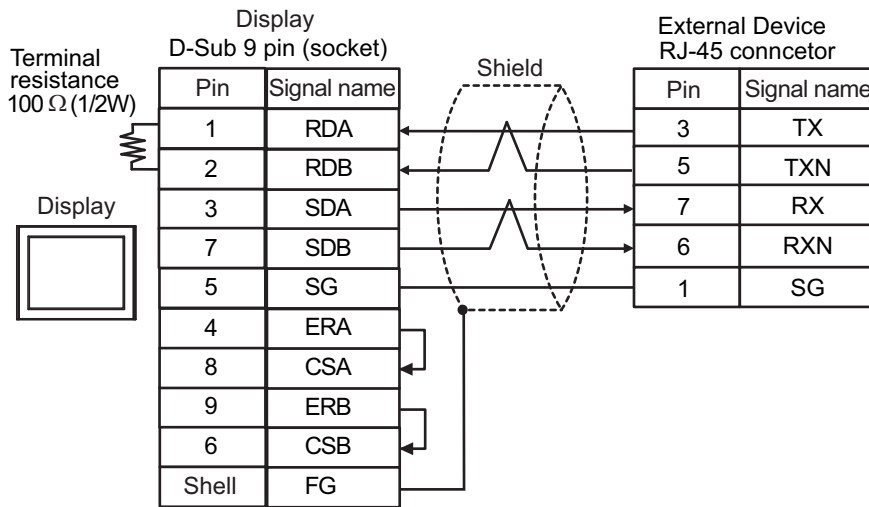


**NOTE**

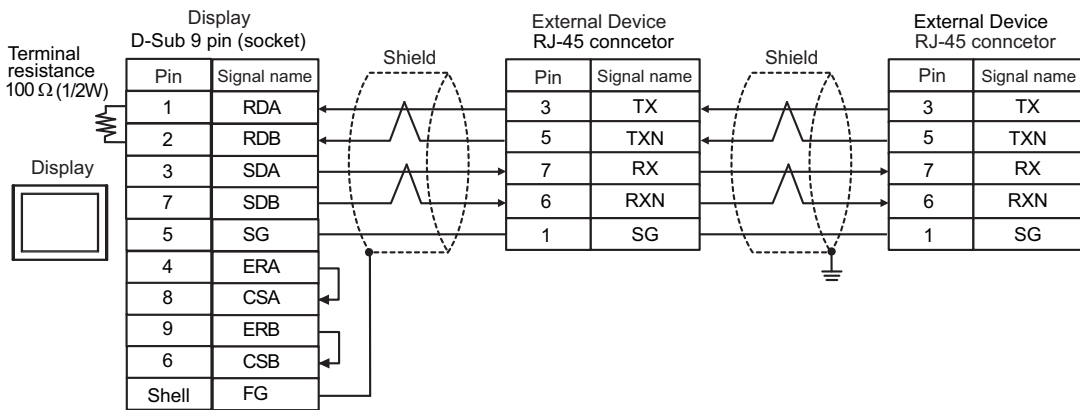
- Please turn on the DIP Switch 1 to enable build-in resistance (100Ω) on the remotest External Device side.
- Cable length: 500m or less

13B)

- 1:1 Connection



- 1:n Connection

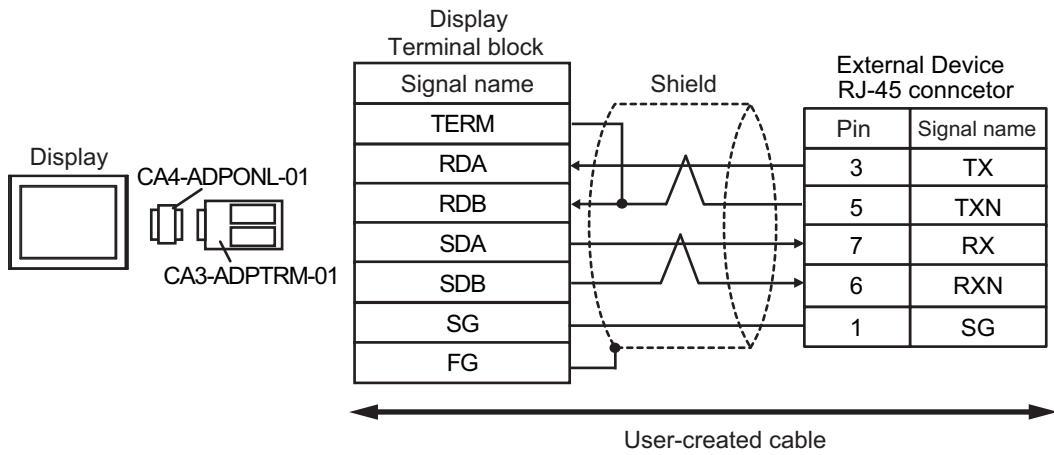


**NOTE**

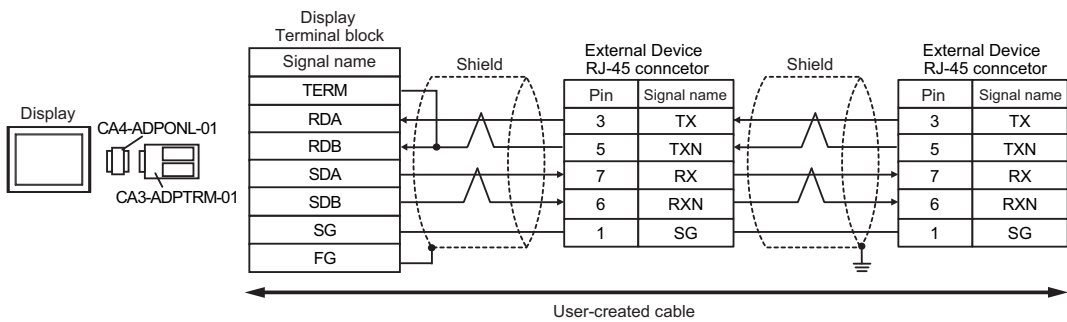
- Please turn on the DIP Switch 1 to enable build-in resistance (100Ω) on the remotest External Device side.
- Cable length: 500m or less

13C)

- 1:1 Connection



- 1:n Connection

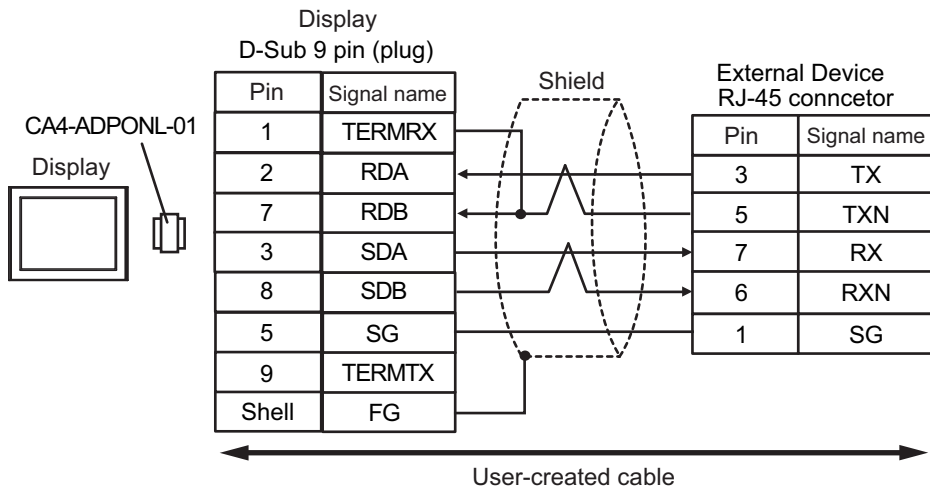


**NOTE**

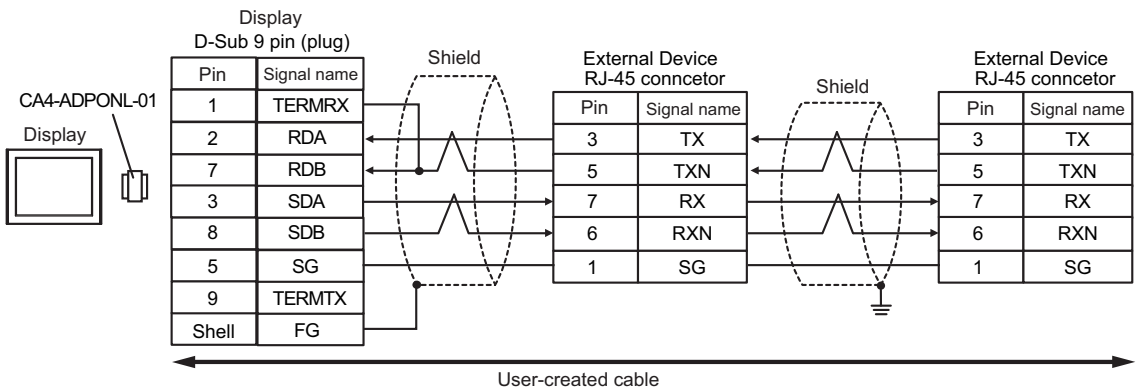
- Please turn on the DIP Switch 1 to enable build-in resistance (100Ω) on the remotest External Device side.
- Cable length: 500m or less

13D)

- 1:1 Connection



- 1:n Connection

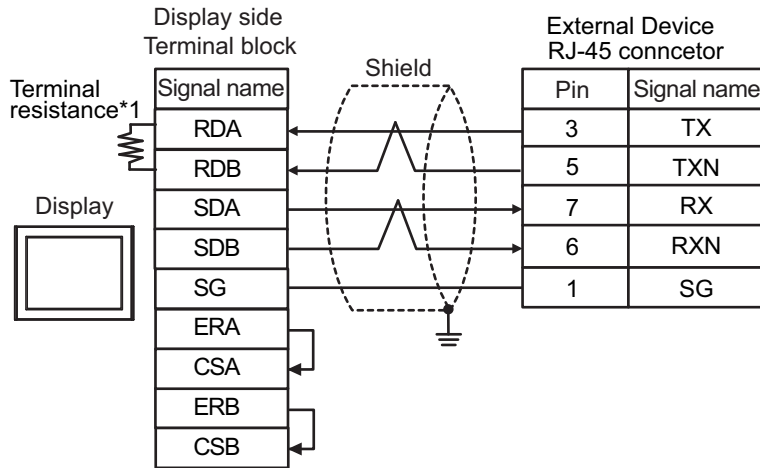


**NOTE**

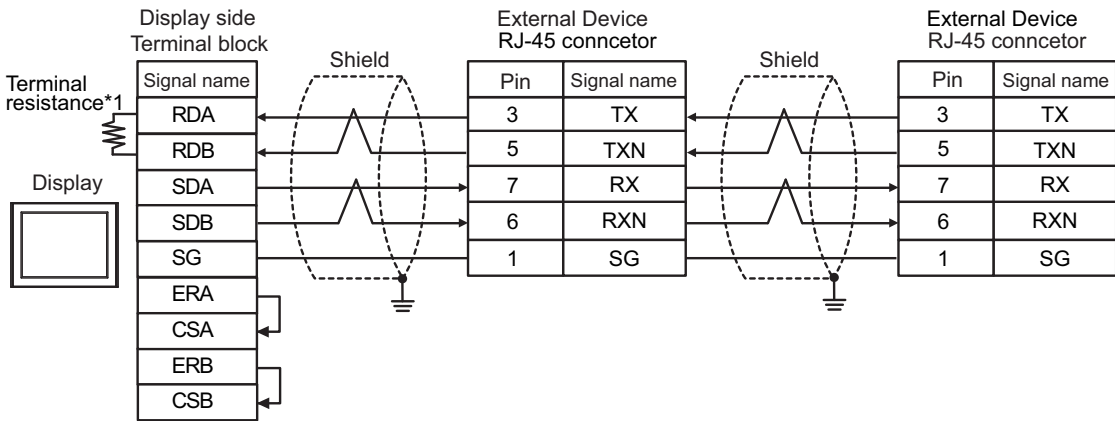
- Please turn on the DIP Switch 1 to enable build-in resistance (100Ω) on the remotest External Device side.
- Cable length: 500m or less

13E)

- 1:1 Connection



- 1:n Connection



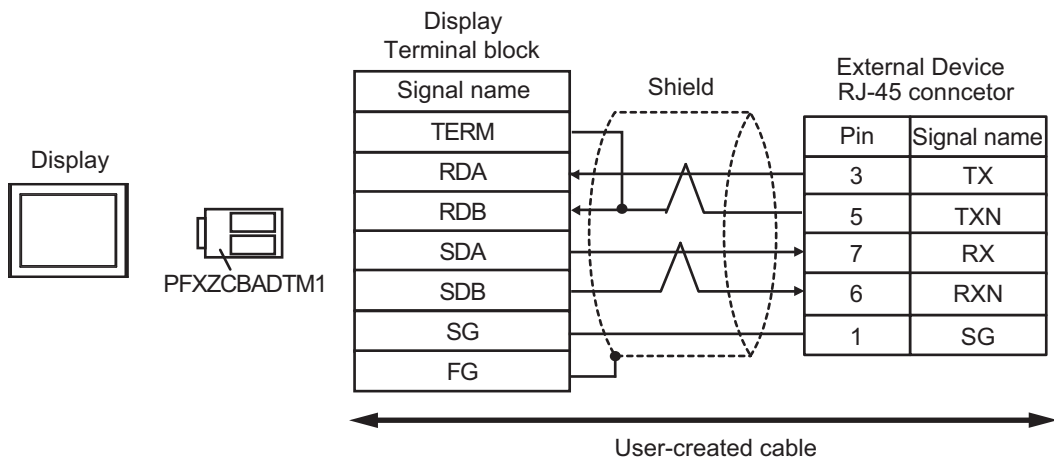
- NOTE**
- Please turn on the DIP Switch 1 to enable build-in resistance (100Ω) on the remotest External Device side.
  - Cable length: 500m or less

\*1 The resistance in the Display is used as the termination resistance. Set the value of the DIP Switch on the rear of the Display as shown in the table below.

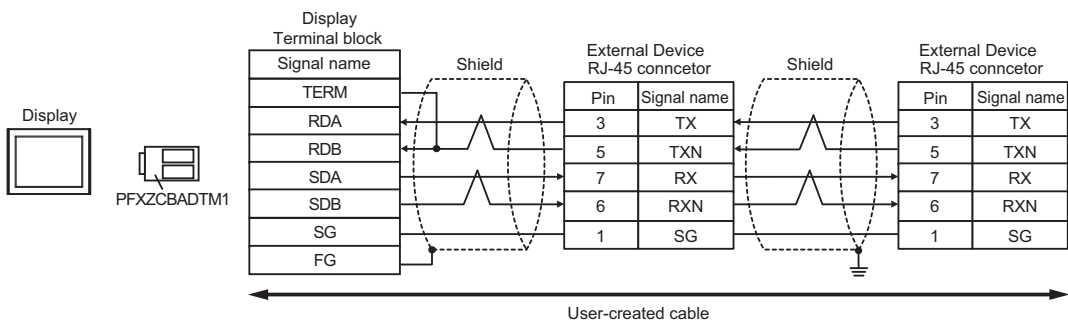
DIP Switch No.	Set Value
1	OFF
2	OFF
3	ON
4	ON

13F)

- 1:1 Connection



- 1:n Connection

**NOTE**

- Please turn on the DIP Switch 1 to enable build-in resistance (100Ω) on the remotest External Device side.
- Cable length: 500m or less



## 5.14 Cable Diagram 14

Display (Connection Port)	Cable		Remarks
GP3000* <sup>1</sup> (COM1) AGP-3302B (COM2) GP-4*01TM (COM1) ST* <sup>2</sup> (COM2) LT3000 (COM1)	14A	COM port conversion adapter by Pro-face CA3-ADPCOM-01 + Terminal block conversion adapter by Pro-face CA3-ADPTRM-01 + User-created cable	Cable length: 500m or less
	14B	User-created cable	
GP3000* <sup>3</sup> (COM2)	14C	Online adapter by Pro-face CA4-ADPONL-01 + Terminal block conversion adapter by Pro-face CA3-ADPTRM-01 + User-created cable	Cable length: 500m or less
	14D	Online adapter by Pro-face CA4-ADPONL-01 + User-created cable	
IPC* <sup>4</sup>	14E	COM port conversion adapter by Pro-face CA3-ADPCOM-01 + Terminal block conversion adapter by Pro-face CA3-ADPTRM-01 + User-created cable	Cable length: 500m or less
	14F	User-created cable	
GP-4106 (COM1)	14G	User-created cable	Cable length: 500m or less
GP-4107 (COM1) GP-4*03T* <sup>5</sup> (COM2) GP-4203T (COM1)	14H	User-created cable	Cable length: 500m or less
GP4000* <sup>6</sup> (COM2) GP-4201T (COM1) SP5000 (COM1/2)	14I	RS-422 terminal block conversion adapter by Pro-face PFXZCBADTM1* <sup>7</sup> + User-created cable	Cable length: 500m or less
	14B	User-created cable	
LT-4*01TM (COM1) LT-Rear Module (COM1)	14J	RJ45 RS-485 Cable (5m) by Pro-face PFXZLMCBRJR81	Cable length: 200m or less

\*1 All GP3000 models except AGP-3302B

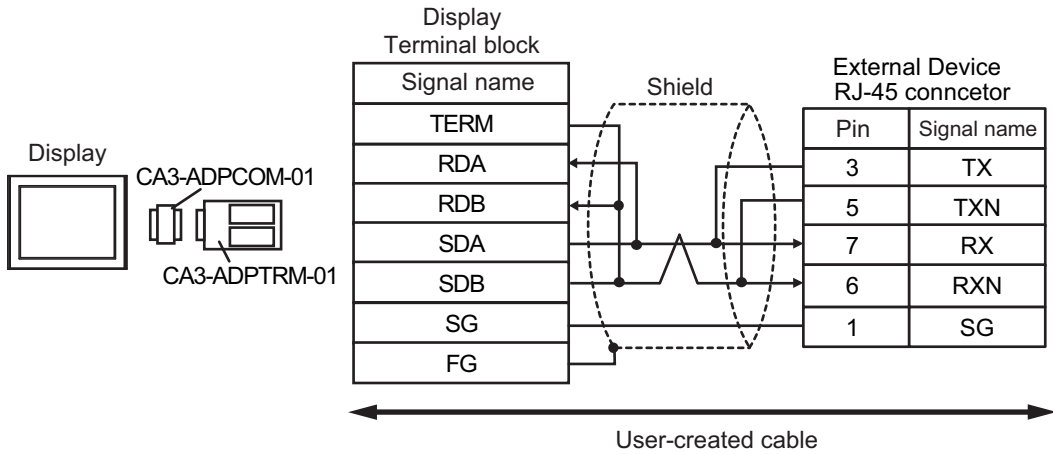
\*2 All ST models except AST-3211A and AST-3302B

\*3 All GP3000 models except GP-3200 series and AGP-3302B

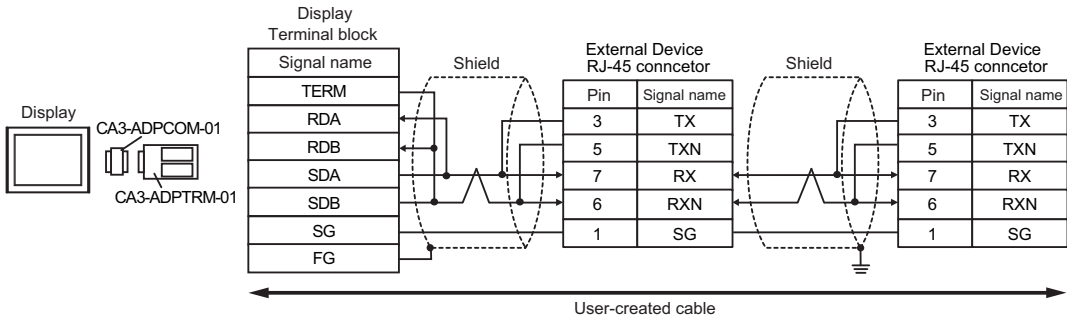
- \*4 Only the COM port which can communicate by RS-422/485 (2 wire) can be used.
  - IPC COM Port (page 9)
- \*5 Except GP-4203T
- \*6 All GP4000 models except GP-4100 series, GP-4\*01TM, GP-4201T and GP-4\*03T
- \*7 When using a Terminal Block Conversion Adapter (CA3-ADPTRM-01) instead of the RS-422 Terminal Block Conversion Adapter, refer to Cable Diagram 14A.

14A)

- 1:1 Connection



- 1:n Connection

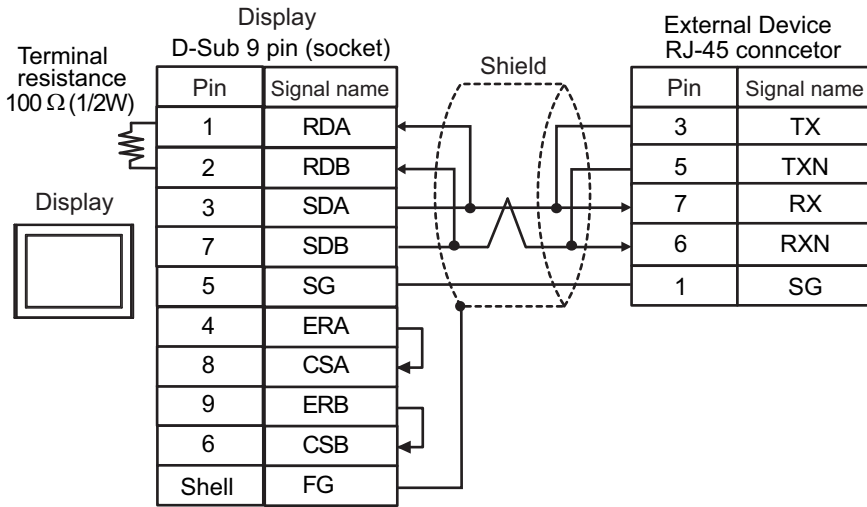


**NOTE**

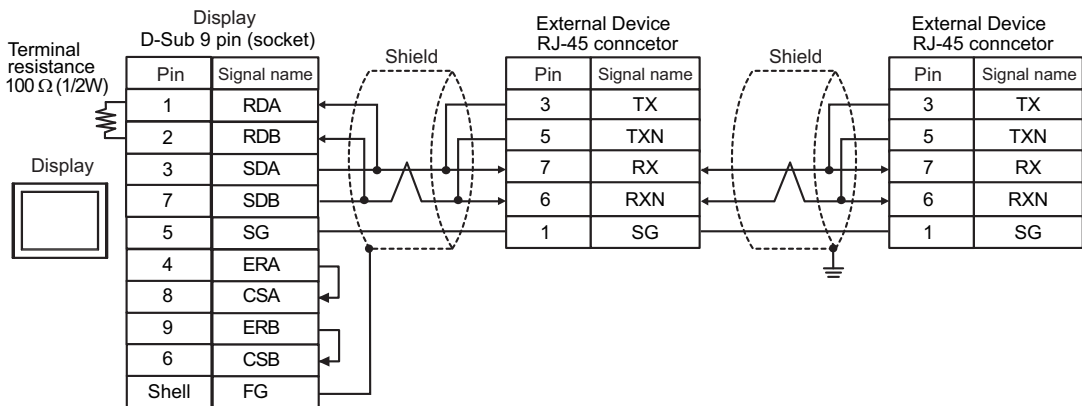
- Please turn on the DIP Switch 1 to enable build-in resistance (100Ω) on the remotest External Device side.
- Cable length: 500m or less

14B)

- 1:1 Connection



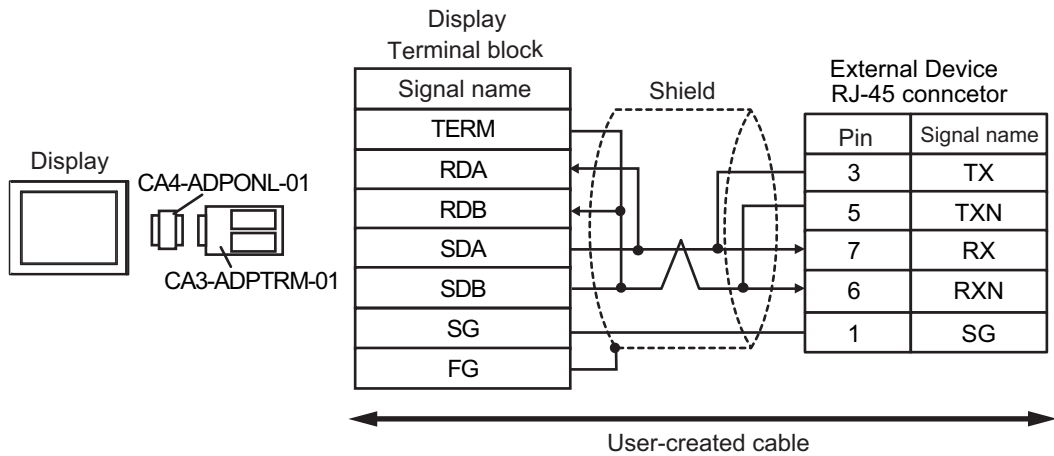
- 1:n Connection



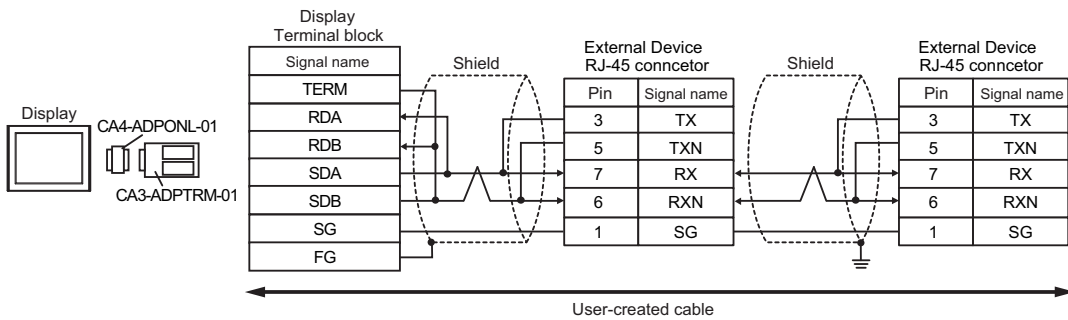
- NOTE**
- Please turn on the DIP Switch 1 to enable build-in resistance (100Ω) on the remotest External Device side.
  - Cable length: 500m or less

14C)

- 1:1 Connection



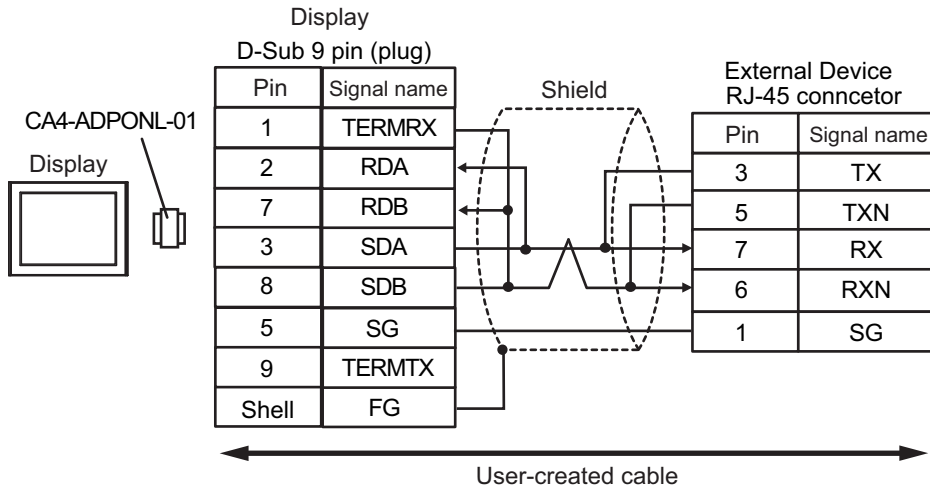
- 1:n Connection



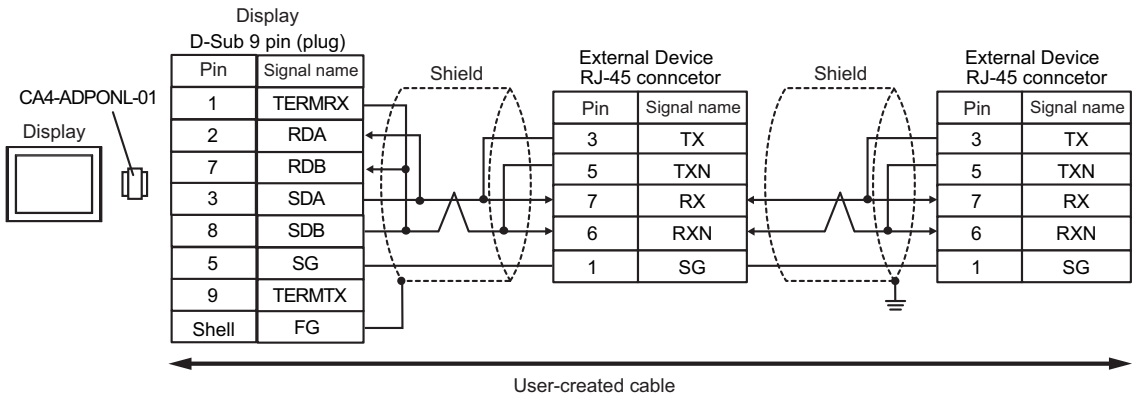
- NOTE**
- Please turn on the DIP Switch 1 to enable build-in resistance (100Ω) on the remotest External Device side.
  - Cable length: 500m or less

14D)

- 1:1 Connection



- 1:n Connection

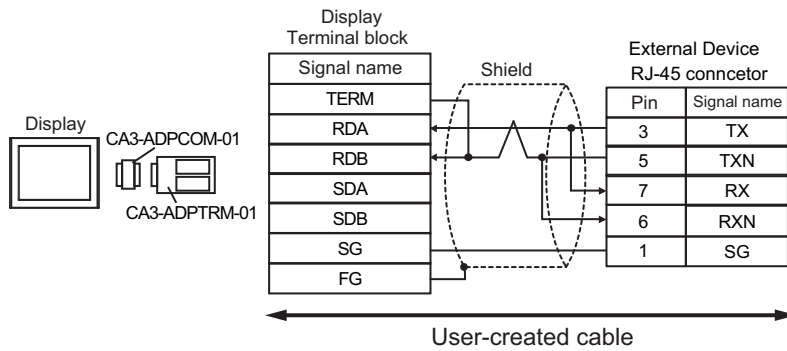


**NOTE**

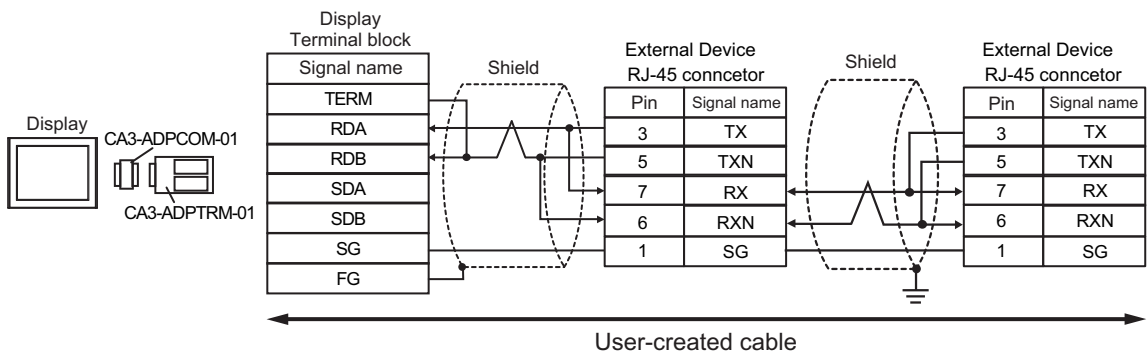
- Please turn on the DIP Switch 1 to enable build-in resistance (100Ω) on the remotest External Device side.
- Cable length: 500m or less

14E)

- 1:1 Connection



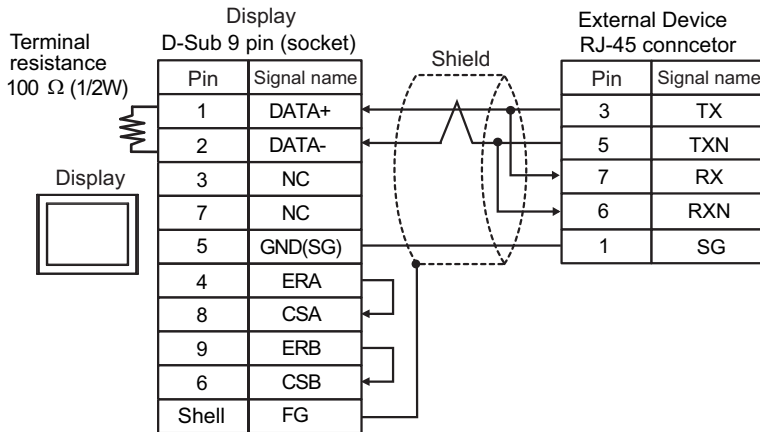
- 1:n Connection

**NOTE**

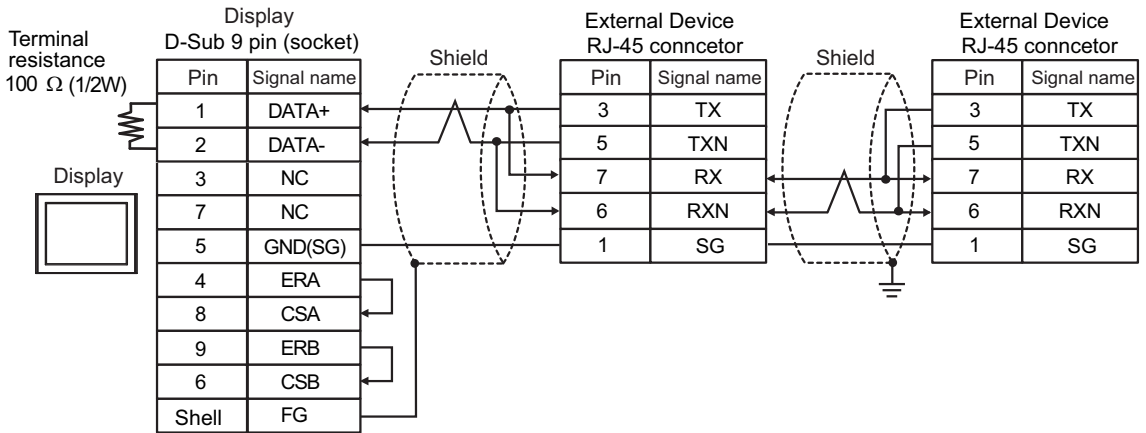
- Please turn on the DIP Switch 1 to enable build-in resistance (100Ω) on the remotest External Device side.
- Cable length: 500m or less

14F)

- 1:1 Connection



- 1:n Connection

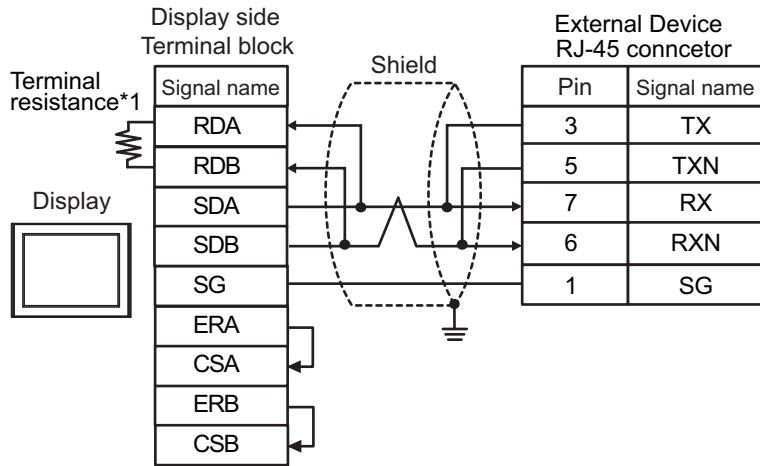


- NOTE**
- Please turn on the DIP Switch 1 to enable build-in resistance (100Ω) on the remotest External Device side.
  - Cable length: 500m or less

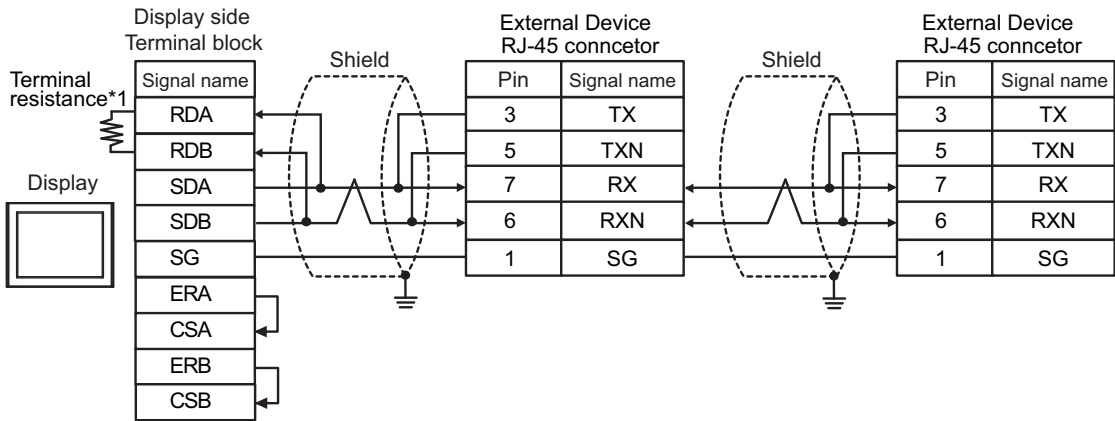


14G)

- 1:1 Connection



- 1:n Connection



**NOTE**

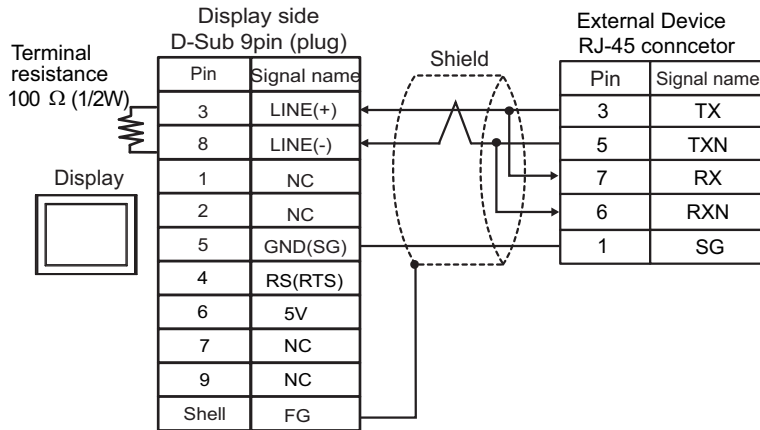
- Please turn on the DIP Switch 1 to enable build-in resistance (100Ω) on the remotest External Device side.
- Cable length: 500m or less

\*1 The resistance in the Display is used as the termination resistance. Set the value of the DIP Switch on the rear of the Display as shown in the table below.

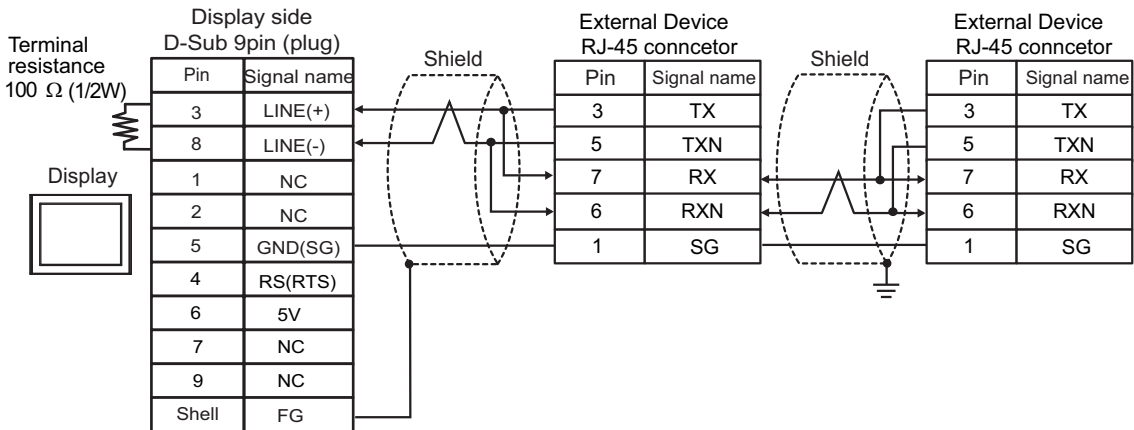
DIP Switch No.	Set Value
1	OFF
2	OFF
3	ON
4	ON

14H)

- 1:1 Connection



- 1:n Connection



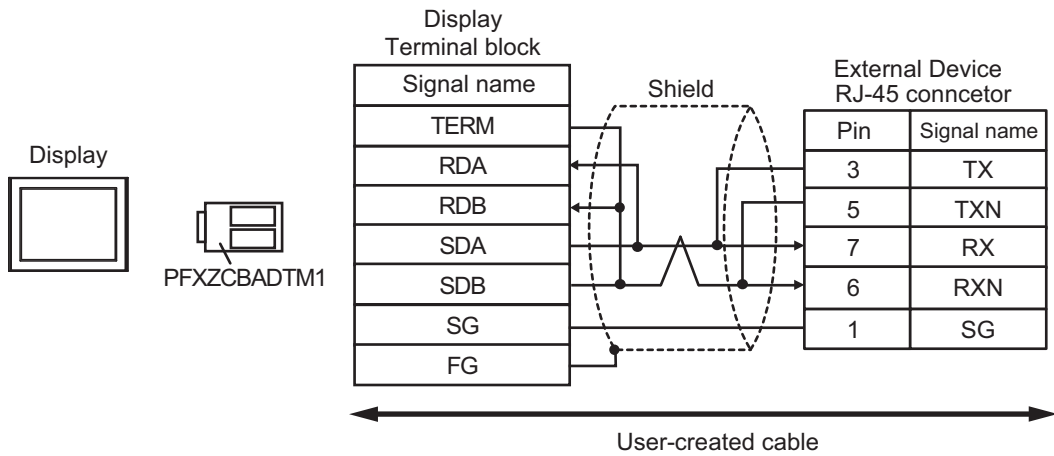
**IMPORTANT** • The 5V output (Pin #6) on the Display is the power for the Siemens AG's PROFIBUS connector. Do not use it for other devices.

**NOTE**

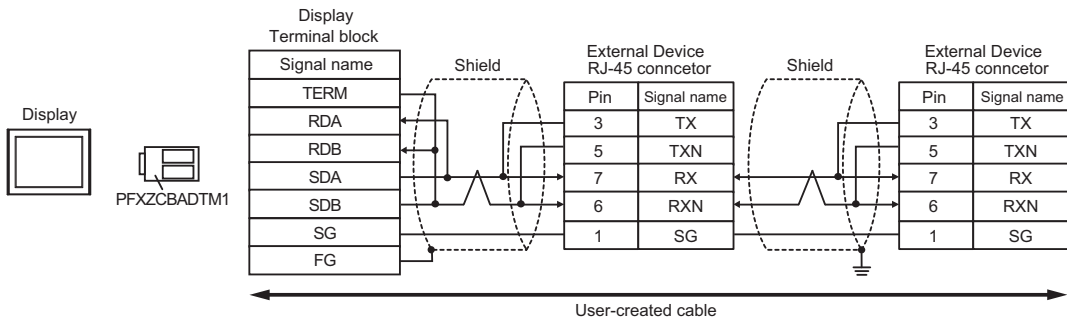
- Please turn on the DIP Switch 1 to enable build-in resistance (100Ω) on the remotest External Device side.
- In COM on the GP-4107, the SG and FG terminals are isolated.
- Cable length: 500m or less

14)

- 1:1 Connection



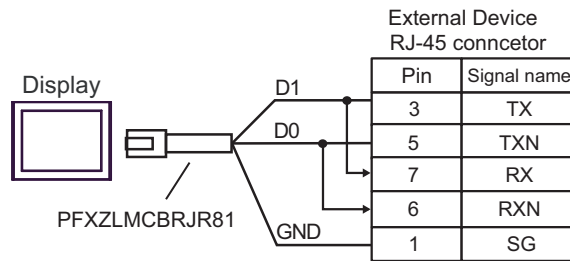
- 1:n Connection

**NOTE**

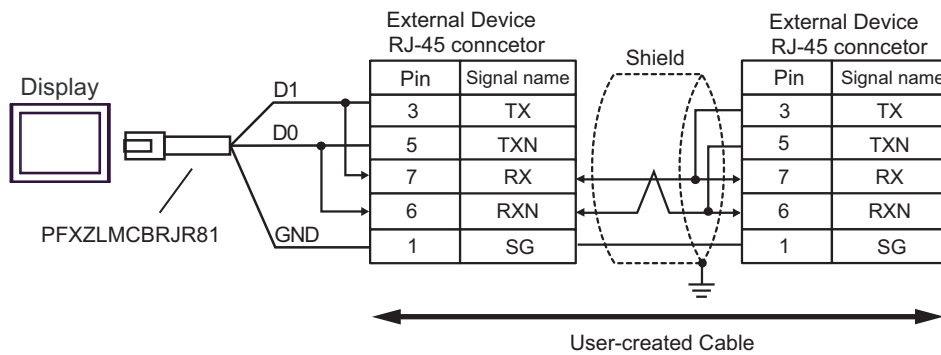
- Please turn on the DIP Switch 1 to enable build-in resistance (100Ω) on the remotest External Device side.
- Cable length: 500m or less

14J)

- 1:1 Connection



- 1:n Connection


**NOTE**

- Please turn on the DIP Switch 1 to enable build-in resistance (100Ω) on the remotest External Device side.

## 6 Supported Device

Range of supported device address is shown in the table below. Please note that the actually supported range of the devices varies depending on the External Device to be used. Please check the actual range in the manual of your External Device.

### 6.1 H/EH-150/MICRO-EH Series

 This address can be specified as system data area.

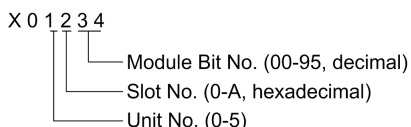
Device	Bit Address	Word Address	Double Word Address	32 bits	Remarks
External Input	X00000-X05A95	WX0000- WX05A7	DX0000-DX05A6	<b>[L/H]</b>	*1 *2
External Output	Y00000-Y05A95	WY0000- WY05A7	DY0000-DY05A6		*2
Remote Input Relay	X10000-X49995	WX1000-WX4997	DX1000-DX4996		*1 *3
Remote Output Relay	Y10000-Y49995	WY1000-WY4997	DY1000-DY4996		*3
Internal Output	R000-R7BF	-	-		
Special Internal Output	R7C0-R7FF	-	-		
Data Area	M0000-M3FFF	WM000-WM3FF	DM000-DM3FE		
First CPU Link	L00000-L03FFF	WL0000-WL03FF	DL0000-DL03FE		
Second CPU Link	L10000-L13FFF	WL1000-WL13FF	DL1000-DL13FE		
On Delay Timer	TD0000 -TD1023	-	-		
Single-shot Timer	SS0000-SS1023	-	-		
Watchdog Timer	WDT0000- WDT1023	-	-		
Mono Stable Timer	MS0000-MS1023	-	-		
Retentive Timer	TMR0000- TMR1023	-	-		
Up Counter	CU0000-CU2047	-	-		
Ring Counter	RCU0000- RCU2047	-	-		
Up-down Counter	CT0000-CT2047	-	-		
Extended Timer	TM0000 - TM2047	-	-		
Timer Counter (Elapsed Value)	-	TC0000-TC2047	-		
Extended Timer (Elapsed Value)	-	TV0000 - TV2047	-		

Device	Bit Address	Word Address	Double Word Address	32 bits	Remarks
Word Internal Output	-	WR0000- WRC3FF	DR0000-DRC3FE	[L/H]	Bit F
Special Word Internal Output	-	WRF000- WRF1FF	DRF000-DRF1FE		Bit F
Network Link Area	-	WN0000- WN7FFF	DN0000-DN7FFE		Bit F

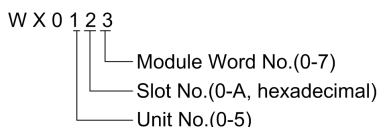
\*1 Write disable

\*2 Specify as shown below.

(Example) External input unit No.1, Slot No.2, Internal Module Bit No.34

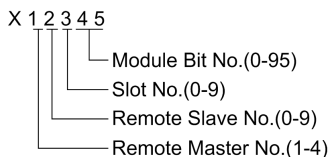


(Example) External input unit No.1, Slot No.2, Internal Module Word No.34

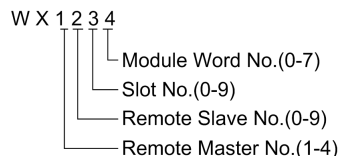


\*3 Specify as shown below.

(Example) Remote External Input Remote Master No.1, Remote Slave No.2, Slot No.3, Internal Module Bit No.45



(Example) Remote External Input Remote Master No.1, Remote Slave No.2, Slot No.3, Internal Module Word No.4



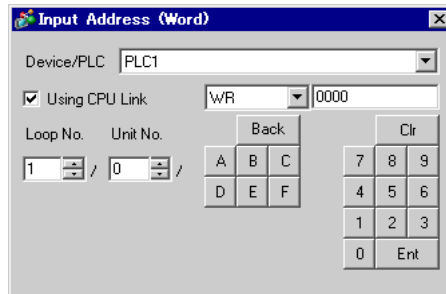
**NOTE**

- Available type and range of device vary depending on CPU. Be sure to check them in each CPU manual before using.

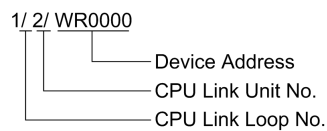
## ■ How to set address when using the CPU link

Set the check box of "Use CPU Link" to ON.

When using CPU Link, loop No. and unit No. are added to the address.



(Example) Loop No.1, Unit No.2



### NOTE


- Please refer to the GP-Pro EX Reference Manual for system data area.

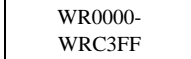

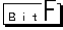
Cf. GP-Pro EX Reference Manual "LS Area (Direct Access Method Area)"

- Please refer to the precautions on manual notation for icons in the table.

☞ "Manual Symbols and Terminology"

## 6.2 Web Controller Series

 This address can be specified as system data area.

Device	Bit Address	Word Address	Double Word Address	32 bit	Remarks
External Input	X0000-X0012 X1000-X1015 X2000-X2015 X3000-X3015 X4000-X4015	WX030-WX031 WX100-WX104 WX200-WX204 WX300-WX304 WX400-WX404	DX030 DX100-DX103 DX200-DX203 DX300-DX303 DX400-DX403	<b>[L / H]</b>	*1
External Output	Y0100-Y0109 Y1016-Y1031 Y2016-Y2031 Y3016-Y3031 Y4016-Y4031	WY40 WY105-WY107 WY205-WY207 WY305-WY307 WY405-WY407	DY105-DY106 DY205-DY206 DY305-DY306 DY405-DY406		
Internal Output	R000-R7BF	-	-		
Special Internal Output	R7C0-R7FF	-	-		
Data Area	M0000-M3FFF	WM000-WM3FF	DM000-DM3FE		
On Delay Timer	TD000-TD255	-	-		*2
Single-shot Timer	SS000-SS255	-	-		*2
Up Counter	CU000-CU255	-	-		*2
Up-down Counter	CT000-CT255	-	-		*2*3
Timer Counter (Elapsed Value)	-	TC000-TC255	-		
Word Internal Output	-	 WR0000- WRC3FF	DR0000-DR3FE		*4 
Word Special Internal Output		WRF000- WRF1FF	DRF000-DRF1FE		

\*1 Write disable

\*2 Each timer or counter needs to be defined on the ladder program.

\*3 Both the Up-down counter Up input and Down input are defined by CT, however, the device names of the External Device are CTU, CTD respectively.

To access CTU, define the corresponding address as CTU on the ladder program of the External Device. Similarly, to access CTD, define the corresponding address as CTD on the ladder program of the External Device.

\*4 In case of EH-WD10DR, the address range is "WR0000-WR3FFF", "DR0000-DR3FFE".

**NOTE**

- Please refer to the GP-Pro EX Reference Manual for system data area.


Cf. GP-Pro EX Reference Manual "LS Area (Direct Access Method Area)"

- Please refer to the precautions on manual notation for icons in the table.

 "Manual Symbols and Terminology"



## 6.3 EHV Series

 This address can be specified as system data area.

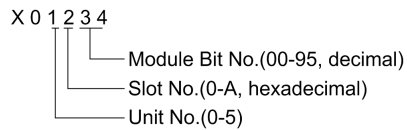
Device	Bit Address	Word Address	Double Word Address	32 bits	Remarks
External Input	X00000-X05A95	WX0000- WX05A7	DX0000-DX05A6	[L/H]	*1 *2
External Output	Y00000-Y05A95	WY0000- WY05A7	DY0000-DY05A6		*2
Remote Input Relay	X10000-X45A95	WX1000- WX45A7	DX1000-DX45A6		*1 *3
Remote Output Relay	Y10000-Y45A95	WY1000- WY45A7	DY1000-DY45A6		*3
Extension External Input	EX00000- EX5A7FF	WEX0000- WEX5A7F	DEX0000- DEX5A7E		*1
Extension External Output	EY00000- EY5A7FF	WEY0000- WEY5A7F	DEY0000- DEY5A7E		
Internal Output	R000-R7BF	-	-		
Special Internal Output	R7C0-RFFF	-	-		
Data Area	M00000-M7FFFF	WM0000- WM7FFF	DM0000- DM7FFE		
First CPU Link	L00000-L03FFF	WL0000-WL03FF	DL0000-DL03FE		
Second CPU Link	L10000-L13FFF	WL1000-WL13FF	DL1000-DL13FE		
Third CPU Link	L20000-L23FFF	WL2000-WL23FF	DL2000-DL23FE		
Fourth CPU Link	L30000-L33FFF	WL3000-WL33FF	DL3000-DL33FE		
Fifth CPU Link	L40000-L43FFF	WL4000-WL43FF	DL4000-DL43FE		
Sixth CPU Link	L50000-L53FFF	WL5000-WL53FF	DL5000-DL53FE		
Seventh CPU Link	L60000-L63FFF	WL6000-WL63FF	DL6000-DL63FE		
Eighth CPU Link	L70000-L73FFF	WL7000-WL73FF	DL7000-DL73FE		
On Delay Timer	TD0000-TD2559	-	-		
Off Delay Timer	TDN0000- TDN2559	-	-		
Single-shot Timer	SS0000-SS2559	-	-		
Watchdog Timer	WDT0000- WDT2559	-	-		
Mono Stable Timer	MS0000-MS2559	-	-		
Retentive Timer	TMR0000- TMR2559	-	-		
Up-down Counter	CT000-CT511	-	-		
Up Counter	CU000-CU511	-	-		

Device	Bit Address	Word Address	Double Word Address	32 bits	Remarks
Link Counter	RCU000-RCU511	-	-	[L/H]	
Timer Counter (Elapsed Value)	-	TC0000-TC2559	-		
Word Internal Output	WR0000.0- WREFFF.F	WR0000- WREFFF	DR0000-DREFFE		
Special Word Internal Output	WRF000.0- WRFFFF.F	WRF000- WRFFFF	DRF000-DRFFFE		
Data Area	WN00000.0- WN1FFFF.F	WN00000- WN1FFFF	DN00000- DN1FFFE		

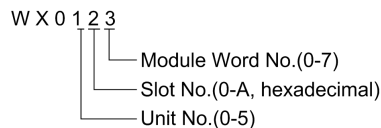
\*1 Write disable

\*2 Specify as shown below.

(Example) External input unit No.1, Slot No.2, Internal Module Bit No.34

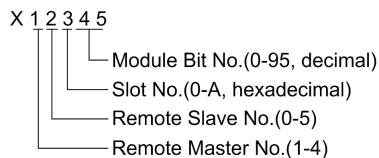


(Example) External input unit No.1, Slot No.2, Internal Module Word No.3

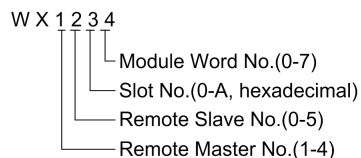


\*3 Specify as shown below.

(Example) Remote External Input Remote Master No.1, Remote Slave No.2, Slot No.3, Internal Module Bit No.45



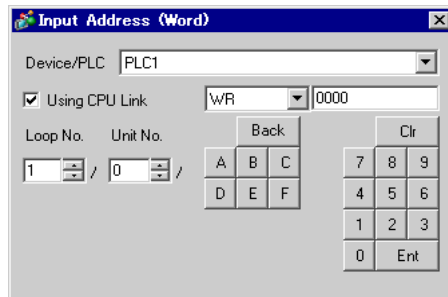
(Example) Remote External Input Remote Master No.1, Remote Slave No.2, Slot No.3, Internal Module Word No.4



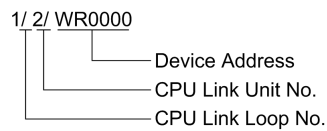
## ■ When using CPU Link

Set the check box of "Use CPU Link" to ON.

When using CPU Link, loop No. and unit No. are added to the address.




(Example) Loop No.1, Unit No.2



### NOTE

- Please refer to the GP-Pro EX Reference Manual for system data area.

Cf. GP-Pro EX Reference Manual "LS Area (Direct Access Method Area)"

- Please refer to the precautions on manual notation for icons in the table.  
 "Manual Symbols and Terminology"

## 7 Device Code and Address Code

Use device code and address code when you select "Device Type & Address" for the address type in data displays.

### 7.1 H/EH-150/MICRO-EH Series

Device	Device Name	Device Code (HEX)	Address Code
External Input	X	80	Word Address
	WX		Word Address
	DX	20	Word Address
External Output	Y	81	Word Address
	WY		Word Address
	DY	21	Word Address
Data Area	M	82	Word Address
	WM		Word Address
	DM	22	Word Address
CPU Link	L	83	Word Address
	WL		Word Address
	DL	23	Word Address
Timer Counter (Elapsed Value)	TC	60	Word Address
Extended Timer (Elapsed Value)	TV	61	Word Address
Word Internal Output	WR	00	Word Address
	DR	24	Word Address
Network Link Area	WN	01	Word Address
	DN	25	Word Address

## 7.2 Web Controller Series

Device	Device Name	Device Code (HEX)	Address Code
External Input	X	80	Word Address
	WX		Word Address
	DX	20	Word Address
External Output	Y	81	Word Address
	WY		Word Address
	DY	21	Word Address
Data Area	M	82	Word Address
	WM		Word Address
	DM	22	Word Address
Timer Counter (Elapsed Value)	TC	60	Word Address
Word Internal Output Word Special Internal Output	WR	00	Word Address
	DR	24	Word Address

## 7.3 EHV Series

Device	Device Name	Device Code (HEX)	Address Code
External Input	X	80	Word Address
	WX		Word Address
	DX	20	Word Address
External Output	Y	81	Word Address
	WY		Word Address
	DY	21	Word Address
Extension External Input	EX	84	Word Address
	WEX		Word Address
	DEX	26	Word Address
Extension External Output	EY	85	Word Address
	WEY		Word Address
	DEY	27	Word Address
Data Area	M	82	Word Address
	WM		Word Address
	DM	22	Word Address
CPU Link	L	83	Word Address
	WL		Word Address
	DL	23	Word Address
Word Internal Output	WR	00	Word Address
	DR	24	Word Address
Data Area	WN	01	Word Address
	DN	25	Word Address
Timer Counter (Elapsed Value)	TC	60	Word Address

## 8 Error Messages

Error messages are displayed on the screen of the Display as follows: "No. :Device Name:Error Message(Error Occurrence Area)". Each description is shown below.

Item	Description
No.	Error No.
Device Name	Name of the External Device where error occurs. Device name is a title of the External Device set with GP-Pro EX.((Initial value[PLC1])
Error Message	Displays messages related to the error which occurs.
Error Occurrence Area	Displays IP address or device address of the External Device where error occurs, or error codes received from the External Device. <div style="border: 1px solid black; padding: 2px; margin: 5px 0;"><b>NOTE</b></div> <ul style="list-style-type: none"> <li>IP address is displayed such as "IP address(Decimal): MAC address( Hex)".</li> <li>Device address is displayed such as "Address: Device address".</li> <li>Received error codes are displayed such as "Hex[Hex]".</li> </ul>

Display Examples of Error Messages

"RHAA035:PLC1: Error has been responded for device write command (Error Code: [02H,02H])"

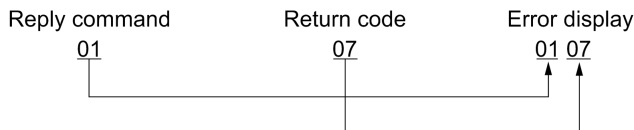
- NOTE**

  - Refer to your External Device manual for details on received error codes.
  - Refer to "Display-related errors" in "Maintenance/Troubleshooting Guide" for details on the error messages common to the driver.

### ■ Driver-Specific Error Codes

Error codes are sent as separated 2 bytes codes The Display displays the error number using 1-byte code.

Example:



Error Code	Description
01, 05	The requested number of points is beyond the designated range.
01, 06	Designated device does not exist.
01, 07	Designated device address is beyond the range.

- NOTE**

  - Please refer to the manual of the External Device for more detail of received error codes.

