



USB/RS-422/485 Conversion Adapter Connection Guide

1	Supported Drivers	3
2	Cable Diagrams	5

Introduction

This manual describes how to use a Pro-face's USB/RS-422/485 Conversion Adapter (PFXZCBCBCVUSR41) to connect a Display and External Device.

Please refer to the USB/RS-422/485 Conversion Adapter installation guide for details.

1 Supported Drivers

You can connect the following External Devices using the USB/RS-422/485 Conversion Adapter.

Manufacturer	Driver Name
CHINO CORPORATION	Temp. Controller MODBUS SIO
Digital Electronics Corporation	General SIO
	Memory Link
Fatek Automation Corporation	FB Series SIO
Fuji Electric Co., Ltd	Inverter SIO
	MICREX-F Series SIO
	MICREX-SX Series SIO
	Temp. Controller MODBUS SIO
Hitachi Industrial Equipment Systems Co., Ltd.	H Series SIO
	Inverter ASCII SIO
	Inverter MODBUS RTU
Hyundai Heavy Industries	Hi5 Robot
IAI Corporation	ROBO CYLINDER MODBUS SIO
JTEKT Corporation	TOYOPUC CMP-LINK SIO
KEYENCE Corporation	KV-700/1000/3000/5000 CPU Direct
KOYO ELECTRONICS INDUSTRIES	KOSTAC/DL Series CCM SIO
LS Industrial Systems Co.,Ltd.	GLOFA Series Cnet
	MASTER-K Series Cnet
	XGT/XGB Series Cnet
Mitsubishi Electric Corporation	A Series Computer Link
	FREQROL Inverter
	FX Series Computer Link
	FX Series CPU Direct
	Q/QnA Serial Communication
Modbus-IDA	General MODBUS SIO Master
Omron Corporation	C/CV Series HOST Link
	CS/CJ Series HOST Link
	Temp. Controller CompoWay/F
Panasonic Electric Works SUNX	FP Series Computer Link SIO
RKC Instrument Inc.	Temp. Controller MODBUS SIO
	Temperature Controller

Manufacturer	Driver Name
Saia-Burgess Controls Ltd.	SAIA S-Bus SIO
Sanmei Electronics Co.,Ltd.	Si/CutyAxis Series SIO
Schneider Electric SA	MODBUS SIO Master
Sharp Manufacturing Systems Corporation	JW Series Computer Link SIO
Shinko Technos Co., Ltd.	Indicating Controller SIO
Siemens AG	SIMATIC S7 3964(R)/RK512
TOSHIBA Corporation	Computer Link SIO
TOSHIBA MACHINE Co.,Ltd.	TC Series (TCmini/TC200)
Azbil Corporation	Controller (CPL)
	MODBUS SIO Master
Yaskawa Electric Corporation	Inverter/Servo SIO
	MEMOBUS SIO
Yokogawa Electric Corporation	Personal Computer Link SIO

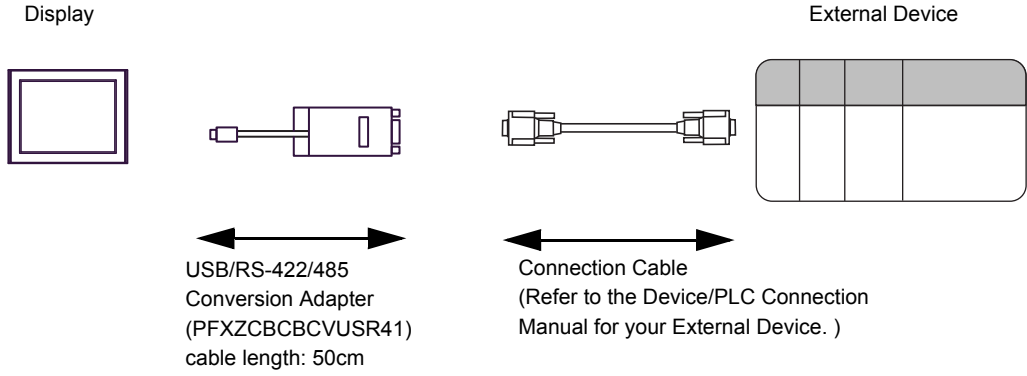
IMPORTANT

- To use a USB/RS-422/485 Conversion Adapter, when you set up an external device, in the [Port] drop-down list select [USB/SIO(RS422/485)].
- Set [Flow Control] to [None]. When you select any value other than [None], the following error displays and communication is not possible.
RHxx009: (Driver Name): (Port Name) Cannot use the port.
- The communication cycle time when a USB/RS-422/485 conversion adapter is used is slower than that when the COM port built in the Display is used. Use the conversion adapter after confirming that the slower communication cycle time has no impact on the operation of the whole system.

2 Cable Diagrams

2.1 Connection Configuration

The connection for a USB/RS-422/485 Conversion Adapter is shown below.



2.2 Connection Cable Diagram

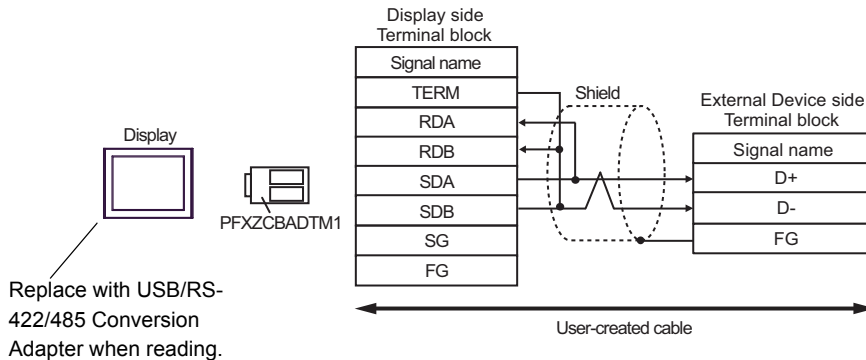
The connection cable varies depending on the External Device. For contents and settings, please refer to the associated Device/PLC Connection Manual for the External Device you are using.

- About the information in the Device/PLC Connection Manual

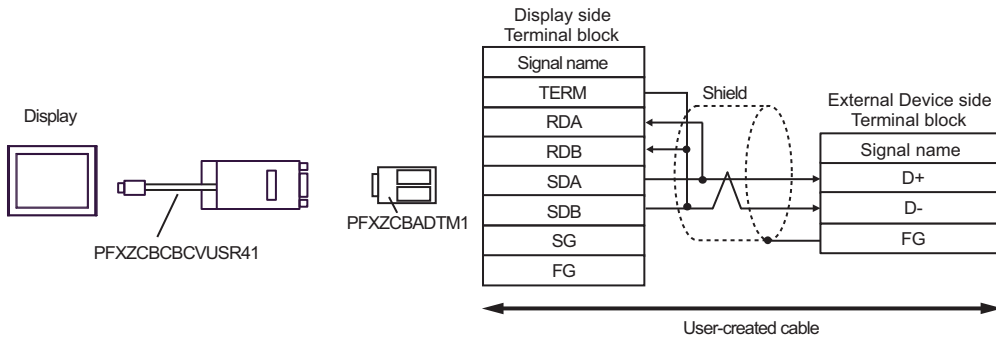
The cable diagram for the connection cable corresponds to "GP4000 (COM2)" in the Device/PLC Connection Manual.

When referring to cable diagrams in the Device/PLC Connection Manual, replace "Display" with "USB/RS-422/485 Conversion Adapter".

- Device/PLC Connection Manual Example:



- Cable Diagram After Replacing:



IMPORTANT

- When the communication method is RS-422/485 (4 Wire), set the USB/RS-422/485 Conversion Adapter's Dip Switch to "RS-422". Set to "RS-485" for RS-422/485 (2 wire) communication.