

Terminal Block Conversion Adapter CA3-ADPTRM-01 Installation Guide

This Terminal Block Conversion Adapter converts a serial interface (COM) to Display(Unit) to an RS422 terminal block.

Prior to using this product, be sure to read this document as well as your Display's hardware manual. For PLC connection information, refer to your "Device/PLC Connection Manual".

PLEASE NOTE

Electrical equipment should be installed, operated, serviced, and maintained only by qualified personnel. No responsibility is assumed by Schneider Electric or any of its affiliates or subsidiaries (hereinafter, referred to as Schneider Electric) for any consequences arising out of the use of this material.

NOTE

- A global code is assigned to every Pro-face product as a universal model number.

For more information on product models and their matching global codes, please refer to the following URL.

<http://www.pro-face.com/trans/en/manual/1003.html>

WARNING

HAZARD OF ELECTRIC SHOCK OR EXPLOSION

- Do not disassemble or remodel this adapter in any way. Doing so may cause an electric shock or fire.
- Do not use this adapter in areas where flammable gases are present. Doing so may cause an explosion.

Failure to follow these instructions can result in death, serious injury, or equipment damage.

NOTE

- When disposing of this product, be sure to do so according to your country's standards for industrial waste disposal.

The information in this document is subject to change without notice.

Copyright © 2018.8 Schneider Electric Japan Holdings Ltd.

All Rights Reserved.

PHA94128 00

Schneider Electric Japan Holdings Ltd.
Schneider Electric Osaka Building,
4-4-9 Kitahama, Chuo-ku, Osaka 541-0041 JAPAN
<http://www.pro-face.com/>



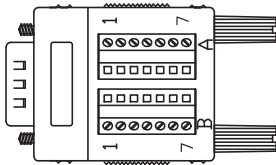
Pro-face
by Schneider Electric

■ To Prevent Terminal Block Conversion Adapter Damage

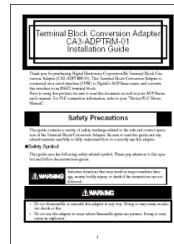
- Be sure not to connect a cable to the Terminal Block Conversion Adapter while it is attached to Display. Doing so can damage the Terminal Block Conversion Adapter.
- Do not allow water to enter the connector. Also, do not touch the connector if your hands are wet. Doing so may cause an electric shock.
- Do not connect or disconnect the Terminal Block Conversion Adapter during data transfer. Doing so may cause a data communication error.
- When attaching a cable that uses a lay wire, be sure to twist the cable core's wires. Failure to do so can lead to a short circuit if wire strands contact another strand or a nearby electrode.

Package Contents

- Terminal Block Conversion Adapter (1)
(CA3-ADPTRM-01)

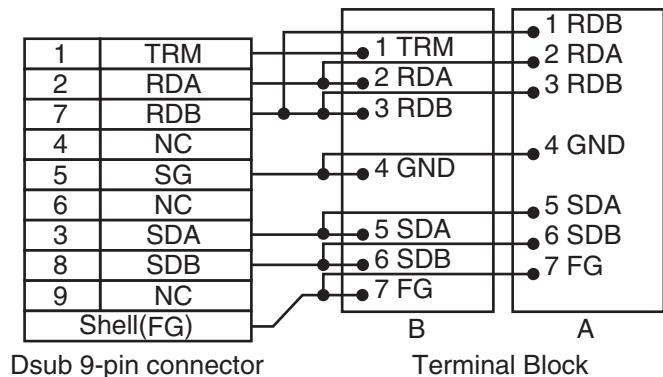
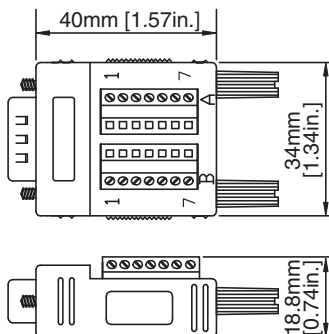


- Installation Guide
(This Guide)




This unit has been carefully packed, with special attention to quality. However, if for any reason you find any of the contents of this package damaged or missing, please contact your local Pro-face representative immediately.

Dimensions and Cable Diagram



Wiring

■ Direct Connection Specifications

Wire Type	Simple wire or Lay wire
Cable dimensions (cross section)	Simple wire: 0.14mm ² to 1.5mm ² Lay wire: 0.14mm ² to 1.0mm ² Cable size: 26AWG to 16AWG
Strip Length	5mm [0.2in.] 

■ Pin Terminal Specifications when using Crimp Terminals

Please use the following items when creating a cable. All items listed below are made by Phoenix Contact.

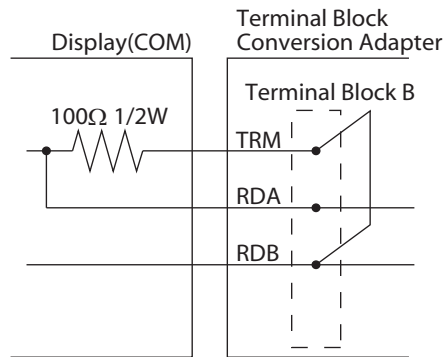
Recommended Driver	SZF 0-0,4X2,5 (1204504)
Recommended Pin Terminals	A 0,34-7 (3009202) A 0,5-6 (3200218)
Recommended Crimping Tool	CRIMPFOX ZA 3 (1201882)

IMPORTANT

- When attaching terminal screws, be sure to use a standard (flat-blade: 0.4 x 2.5) type screwdriver.
- The appropriate torque is 0.22N•m to 0.25N•m.
- Do not solder the cable's joined section.
- When attaching a cable that uses a lay wire, be sure to twist the cable core's wires. Failure to do so can lead to a short circuit if wire strands contact another strand or a nearby electrode.
- To prevent Terminal Block Conversion Adapter cables from being pulled out, be sure to bundle the cables externally.

NOTE

- Terminal Block Conversion Adapter cannot be connected to the Mitsubishi PLC 2Port Adapter by Pro-face (GP030-MD11-0). However, it can be connected to Mitsubishi PLC A, QnA, FX Series 2Port Adapter II by Pro-face (GP070-MD11).
- Display's serial interface (COM) has a termination resistance. When termination resistance is needed, shorting the terminal block adaptor's TRM and RDB wires inserts 100Ω of resistance between RDA and RDB.



Connection Information

The wired Terminal Block Conversion Adapter will be connected to Display's Serial Interface (COM).

If you use the plug-type serial interface on your Display, be sure to use COM Port Conversion Adapter by Pro-face (CA3-ADPCOM-01) (sold separately).

Notice

Please be aware that Schneider Electric shall not be held liable by the user for any damages, losses, or third-party claims arising from the use of this product.